

PROPANE GAS CONVERSION INSTRUCTIONS

For WCG, MGC, KCGS and ICS5/6 Model Series

INSTRUCTIONS DE CONVERSION AU GAZ PROPANE

Pour les modèles de série WCG, MGC, KCGS et ICS5/6

Table of Contents

COOKTOP SAFETY	2
Tools and Parts.....	3
Convert from Natural Gas to Propane Gas	3
Convert from Propane Gas to Natural Gas	6
Lighting the Electronic Igniters	9
Flame Height Adjustment.....	9
Complete Burner Adjustment	10

Table des matières

SÉCURITÉ DE LA TABLE DE CUISSON	12
Outils et pièces.....	13
Conversion du gaz naturel au propane.....	13
Conversion pour changement de gaz propane au gaz naturel.	16
Allumeurs électroniques - allumage.....	19
Réglage de la taille des flammes	19
Achever le réglage des brûleurs	20

IMPORTANT:

Installer: Leave installation instructions with the homeowner.

Homeowner: Keep installation instructions for future reference.

IMPORTANT :

Installateur : Remettre les instructions d'installation au propriétaire.

Propriétaire : Conserver les instructions d'installation pour référence ultérieure.

COOKTOP SAFETY

Your safety and the safety of others are very important.

We have provided many important safety messages in this manual and on your appliance. Always read and obey all safety messages.



This is the safety alert symbol.

This symbol alerts you to potential hazards that can kill or hurt you and others.

All safety messages will follow the safety alert symbol and either the word "DANGER" or "WARNING."

These words mean:

⚠ DANGER

You can be killed or seriously injured if you don't immediately follow instructions.

⚠ WARNING

You can be killed or seriously injured if you don't follow instructions.

All safety messages will tell you what the potential hazard is, tell you how to reduce the chance of injury, and tell you what can happen if the instructions are not followed.

WARNING: If the information in these instructions is not followed exactly, a fire or explosion may result causing property damage, personal injury or death.

- Do not store or use gasoline or other flammable vapors and liquids in the vicinity of this or any other appliance.
- **WHAT TO DO IF YOU SMELL GAS:**
 - Do not try to light any appliance.
 - Do not touch any electrical switch.
 - Do not use any phone in your building.
 - Immediately call your gas supplier from a neighbor's phone. Follow the gas supplier's instructions.
 - If you cannot reach your gas supplier, call the fire department.
- Installation and service must be performed by a qualified installer, service agency or the gas supplier.

WARNING: Gas leaks cannot always be detected by smell.

Gas suppliers recommend that you use a gas detector approved by UL or CSA.

For more information, contact your gas supplier.

If a gas leak is detected, follow the "What to do if you smell gas" instructions.

In the State of Massachusetts, the following installation instructions apply:

- Installations and repairs must be performed by a qualified or licensed contractor, plumber, or gasfitter qualified or licensed by the State of Massachusetts.
- Acceptable Shut-off Devices: Gas Cocks and Ball Valves installed for use shall be listed.
- A flexible gas connector, when used, must not exceed 4 feet (121.9 cm).

Tools and Parts

Gather the required tools and parts necessary for correct Propane gas conversion.

Tools needed

- Flat-blade screwdriver
- $\frac{3}{32}$ " (#0 [2.0 mm]) flat-blade screwdriver (screwdriver shaft must be a minimum of 2" [5.1 cm] long)
- Adjustable wrench
- 7.0 mm nut driver
- 7.0 mm wrench
- T10 Torx^{®†} adapter

Parts needed

For models KCGS550ESS, KCGS556ESS, KCGS950ESS and KCGS956ESS use the following parts:

- Propane orifice package (W10676662)
- Conversion instructions (W11168236)

For all other models use the following parts:

- Propane orifice package (W11173306)
- Conversion instructions (W11168236)

High Altitude Conversion

To convert the cooktop for elevations above 6,560 ft (1999.5 m), order a High Altitude Conversion Kit.

For models KCGS550ESS, KCGS556ESS, KCGS950ESS and KCGS956ESS use the following parts:

- Part Number W10679116 - Propane high altitude
- Part Number W10679118 - Natural gas high altitude

For all other models use the following parts:

- Part Number W10679114 - Propane high altitude
- Part Number W10679113 - Natural gas high altitude

To order, see the "Assistance or Service" section of the User Guide.

IMPORTANT: Gas conversions from Natural gas to Propane gas must be done by a qualified installer. Before proceeding with conversion, shut off the gas supply to the cooktop prior to disconnecting the electrical power.

WARNING

This conversion kit shall be installed by a qualified service agency in accordance with the manufacturer's instructions and all applicable codes and requirements of the authority having jurisdiction. If the information in these instructions is not followed exactly, a fire, explosion or production of carbon monoxide may result causing property damage, personal injury or loss of life. The qualified service agency is responsible for the proper installation of this kit. The installation is not proper and complete until the operation of the converted appliance is checked as specified in the manufacturer's instructions supplied with this kit.

! WARNING



Explosion Hazard

Use a new CSA International approved gas supply line.

Install a shut-off valve.

Securely tighten all gas connections.

If connected to propane, have a qualified person make sure gas pressure does not exceed 14" (36 cm) water column.

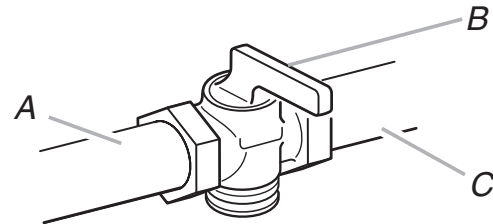
Examples of a qualified person include:

**licensed heating personnel,
authorized gas company personnel, and
authorized service personnel.**

Failure to do so can result in death, explosion, or fire.

Convert from Natural Gas to Propane Gas

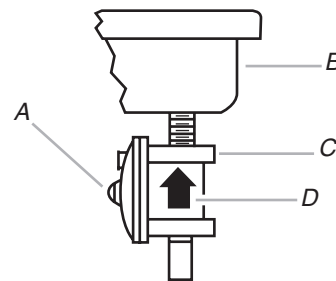
1. Turn manual shutoff valve to the closed position.



- A. To cooktop
- B. Shutoff valve (closed position)
- C. Gas supply line

2. Unplug cooktop or disconnect power.

To Convert Gas Pressure Regulator



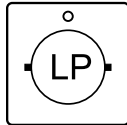
- A. To cooktop
- B. Shutoff valve (closed position)
- C. Gas supply line

3. Determine the type of regulator you have:

Style 1: The cap has a slot and "NAT" printed on it.

Remove access cap by using a flat-blade screwdriver or coin, turning the access cap counterclockwise.

The gas pressure regulator has 2 settings that are stamped on either side of the cap. Turn the cap and reinstall into regulator with the stamp "LP" visible from the outside of the regulator.

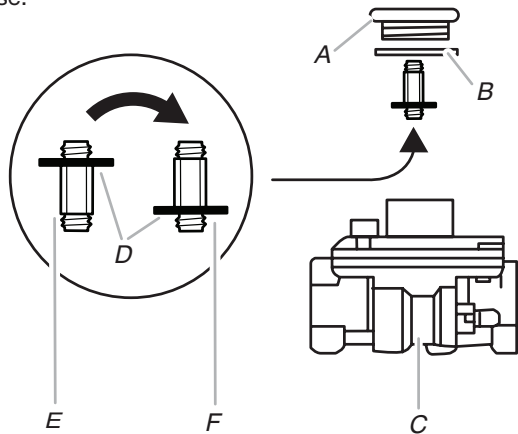


Style 2: The access cap has a slot in it or a hex shape, without any printed text.

Remove the access cap by using a flat - blade screwdriver or wrench turning the access cap counter clockwise. If Seven Universe is printed on the regulator, unthread the spring retainer by rotating it counter clockwise. If Maxitrol is printed on the regulator then apply force to the flat side of the spring retainer to remove it.

Turn over the spring retainer to place the disk on the spring retainer far from the access cap. Install the Seven Universe spring retainer by turning it clockwise to thread it fully into the access cap, or for the Maxitrol spring retainer by applying pressure to snap the spring retainer into the access cap.

Reinstall the cap and seal onto the regulator by turning clockwise.



- A. Access cap
- B. Seal
- C. Regulator
- D. Disk on Spring Retainer
- E. Spring Retainer in Natural Gas Position
- F. Spring Retainer in LP Gas Position

4. Test the gas pressure regulator and gas supply line.
The regulator must be checked at a minimum 1" (2.5 cm) water column above the set pressure. The inlet pressure to the regulator should be as follows for operation and checking the regulator setting:

Propane Gas:

Minimum pressure 10" (25.4 cm) W.C.P.
Supply pressure 14" (35.5 cm) W.C.P.

Gas Supply Pressure Testing

Line pressure testing above 1/2 psi (3.5 kPa) gauge (14" [35.5 cm] WCP)

The cooktop and its individual shutoff valve must be disconnected from the gas supply piping system during any pressure testing of that system at test pressures in excess of 1/2 psi (3.5 kPa).

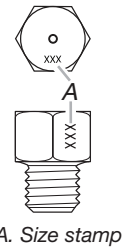
Line pressure testing at 1/2 psi (3.5 kPa) gauge (14" [35.5 cm] WCP) or lower

The cooktop must be isolated from the gas supply piping system by closing its individual manual shutoff valve during any pressure testing of the gas supply piping system at test pressures equal to or less than 1/2 psi (3.5 kPa).

5. If the burner grates are installed, remove them.
Use the following charts to match the correct gas orifice spud with the burner location and model being converted.

Propane Gas Orifice Spud Chart for Kit W10676661

Burner Rating	Color	Stamp (A)	Size
5,000 BTU	Green	66	0.66 mm
7,000 BTU	White	75	0.75 mm
8,000 BTU	Orange	79	0.79 mm
11,000 BTU	Red	97	0.97 mm
13,000 BTU	Yellow	108	1.08 mm
16,000 BTU	Pink	115	1.15 mm
12,000 BTU			
Inner	Brown	85	0.85 mm
Outer	Brown	48	0.48 mm
11,000 BTU			
Inner	Black	89	0.89 mm
Outer	Black	40	0.40 mm



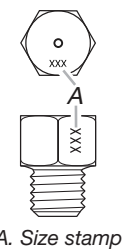
A. Size stamp

Burner Models for Kit W11173306

Model No.	Left Front	Left Rear	Center Inner	Center Outer	Right Rear	Right Front
WCG55US0H	66	108	N/A	N/A	97	75
MGC7430D	Green	Yellow			Red	White
ICS500DS00						
WCG77US0H	75	79	108	N/A	66	75
	White	Orange	Yellow		Green	White
MGC9530D	66	115	N/A	N/A	97	75
	Green	Pink			Red	White
KCGS350E	75	79	85	48	66	75
ICS655DS00	White	Orange	Brown	Brown	Green	White
WCG55US6H	75	75	97	N/A	66	97
MGC7536D	White	White	Red		Green	Red
MGC9536D	75	75	85	48	66	97
KCGS356E	White	White	Brown	Brown	Green	Red
WCG97US0H	75	79	89	40	66	75
	White	Orange	Black	Black	Green	White
WCG97US6H	75	75	89	40	66	97
	White	White	Black	Black	Green	Red

Propane Gas Orifice Spud Chart for Kit W10676662

Burner Rating	Color	Stamp (A)	Size
5,000 BTU	White	66	0.66 mm
6,000 BTU	Green	70	0.70 mm
9,100 BTU	Black	89	0.89 mm
11,000 BTU	Orange	97	0.97 mm
13,000 BTU			
Inner	Blue	45	0.45 mm
Outer	Brown	97	0.97 mm
14,000 BTU			
Inner	Blue	45	0.45 mm
Outer	Yellow	101	1.01 mm
16,000 BTU			
Inner	Blue	45	0.45 mm
Outer	Red	105	1.05 mm
9,000 BTU			
Inner	Pink	40	0.40 mm
Outer	Pink	80	0.80 mm

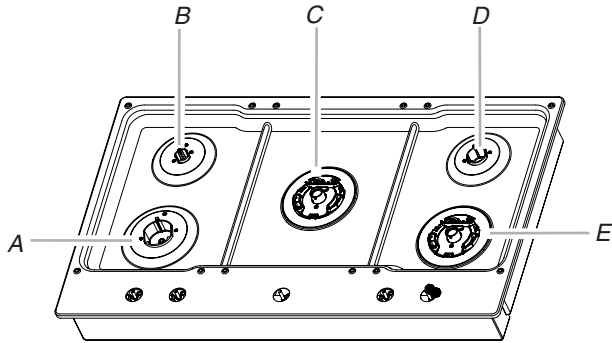


A. Size stamp

Burner Models for Kit W1067662

Model No.	Left Front	Left Rear	Center Inner	Center Outer	Right Rear	Right Front Inner	Right Front Outer
KCGS550E	89 Black	66 White	45 Blue	97 Brown	70 Green	89 Black	N/A
KCGS556E	89 Black	66 white	45 Blue	101 Yellow	70 Green	89 Black	N/A
KCGS950ES	89 Black	66 White	45 Blue	97 Brown	70 Green	40 Pink	80 Pink
KCGS956ES	97 Orange	66 White	45 Blue	105 Red	70 Green	40 Pink	80 Pink

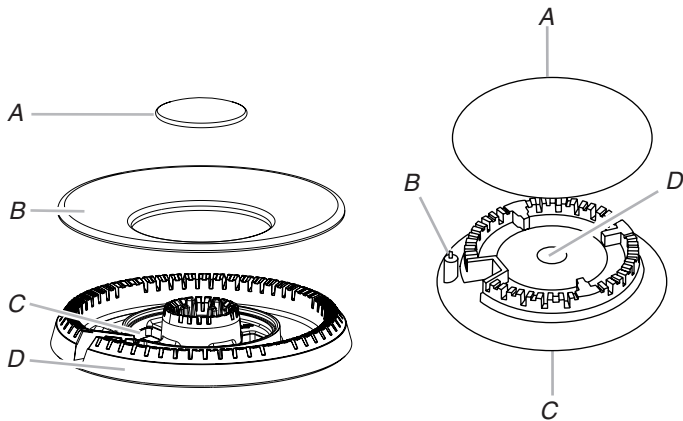
Burner locations



- A. Left front
- B. Left rear
- C. Center
- D. Right rear
- E. Right front

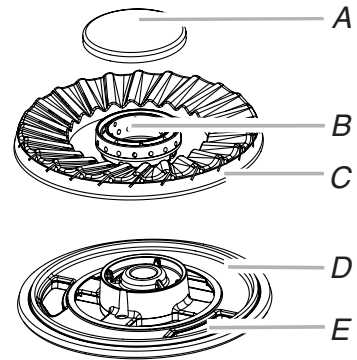
6. Remove all burner caps and burner bases (see the User Guide for burner reference).

To remove the burner base for the Dual Flame and Dual Tier Ultra Torch burners use a Torx[®] T10 driver to remove the screw.



- Dual Tier Ultra Burner**
- A. Inner burner cap
 - B. Outer burner cap
 - C. Gas tube opening
 - D. Burner base

- Standard and Dual Flame**
- A. Burner cap
 - B. Igniter electrode
 - C. Burner base
 - D. Gas tube opening

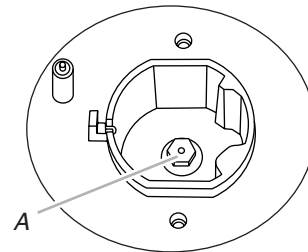


Torch Burner

- A. Inner burner cap
- B. Inner burner base
- C. Outer burner base
- D. Burner support
- E. Gas tube opening

7. To Convert Standard Burner:

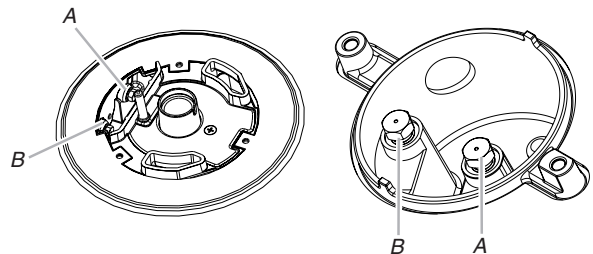
- Use 7.0 mm wrench to loosen and remove the orifice spud (A).
- Set gas orifice spud aside.
- Replace with correct Propane gas orifice spud. See Propane gas orifice spud charts.



A. Orifice spud

8. To Convert Dual Tier Ultra and Dual Flame Burners:

- Use 7.0 mm wrench to loosen and remove the inner orifice spud (A) and the outer orifice spud (B).
- Set gas orifice spuds aside.
- Replace with correct Propane gas orifice spuds. See the Propane gas orifice spud charts.



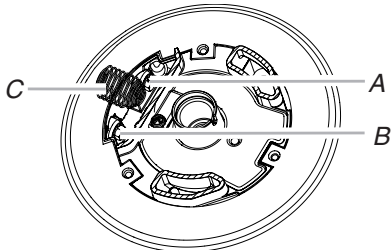
- Dual Tier Ultra Burner**
- A. Inner orifice spud
 - B. Outer orifice spud

- Standard and Dual Flame**
- A. Inner orifice spud
 - B. Outer orifice spud

†*TORX and T10 is registered trademark of Acument Intellectual Properties, LLC.

9. To Convert Torch Burner

- Remove the spring that is shown in the following illustration (C).
- Use 7.0 mm wrench to loosen and remove the inner orifice spud (A) and the outer orifice spud (B).
- Set gas orifice spuds aside.
- Replace with correct Propane gas orifice spud. See the Propane gas orifice spud charts.
- Return the spring to its original location.

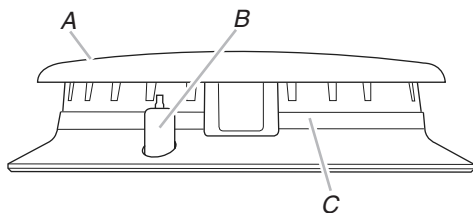


A. Inner orifice spud
B. Outer orifice spud
C. Spring

IMPORTANT: Place Natural gas orifice spuds in plastic parts bag for future use and keep with package containing literature.

10. Replace sheet of insulation.
11. Replace burner bases and burner caps.

The igniter electrode is ceramic and could break during conversion. Be sure that the electrode comes through the hole in the burner smoothly while you are replacing the burner base.



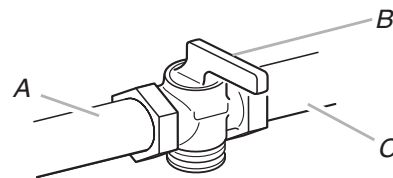
A. Burner cap
B. Electrode
C. Burner base

12. Open shutoff valve in the gas supply line. The valve is open when the handle is parallel to the gas pipe.
13. Plug in cooktop or reconnect power.

REMEMBER: Once you have completed converting all of the cooktop burners, test the cooktop for leaks by brushing on an approved noncorrosive leak-detection solution. If bubbles appear, a leak is indicated. Correct any leaks found.
14. To adjust single and dual valves, see the “Flame Height Adjustment” section.

Convert from Propane Gas to Natural Gas

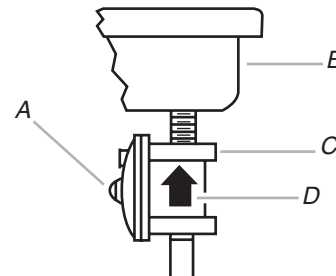
1. Turn manual shutoff valve to the closed position.



A. To cooktop
B. Shutoff valve (closed position)
C. Gas supply line

2. Unplug cooktop or disconnect power.

To Convert Gas Pressure Regulator



A. Access cap
B. Rear of cooktop
C. Gas pressure regulator
D. Gas flow

3. Determine the type of regulator you have:

Style 1: The cap has a slot and “LP” printed on it.

Remove access cap by using a flat-blade screwdriver or coin, turning the access cap counterclockwise.

The gas pressure regulator has 2 settings that are stamped on either side of the cap. Turn the cap and reinstall into regulator with the stamp “NAT” visible from the outside of the regulator.



Style 2: The access cap has a slot in it or a hex shape, without any printed text.

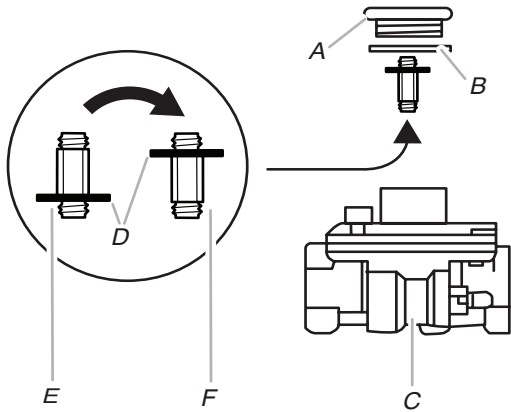
Remove the access cap by using a flat - blade screwdriver or wrench turning the access cap counter clockwise.

If Seven Universe is printed on the regulator, unthread the spring retainer by rotating it counter clockwise. If Maxitrol is printed on the regulator then apply force to the flat side of the spring retainer to remove it.

Turn over the spring retainer to place the disk on the spring retainer close to the access cap.

Install the Seven Universe spring retainer by turning it clockwise to thread it fully into the access cap, or for the Maxitrol spring retainer by applying pressure to snap the spring retainer into the access cap.

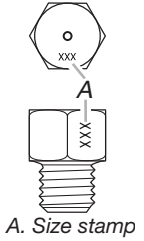
Reinstall the cap and seal onto the regulator by turning clockwise.



- A. Access cap
- B. Seal
- C. Regulator
- D. Disk on Spring Retainer
- E. Spring Retainer in LP Gas Position
- F. Spring Retainer in Natural Gas Position

Natural Gas Orifice Spud Chart for Kit W1067662

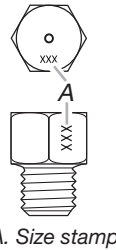
Burner Rating	Color	Stamp (A)	Size
6,000 BTU	Red	105	1.05 mm
7,000 BTU	Black	115	1.15 mm
10,000 BTU	White	140	1.40 mm
12,00 BTU	Brown	150	1.50 mm
17,000 BTU			
Inner	Blue	91	0.91 mm
Other	Green	160	1.60 mm
18,000			
Inner	Blue	91	0.91 mm
Outer	Blue	165	1.65 mm
20,000 BTU			
Inner	Blue	91	0.91 mm
Outer	Light Blue	180	1.80 mm
10,000 BTU			
Inner	Pink	66	0.66 mm
Outer	Pink	123	1.23 mm



4. If the burner grates are installed, remove them.
Use the following charts to match the correct gas orifice spud with the burner location and model being converted.

Natural Gas Orifice Spud Chart for Kit W11173306

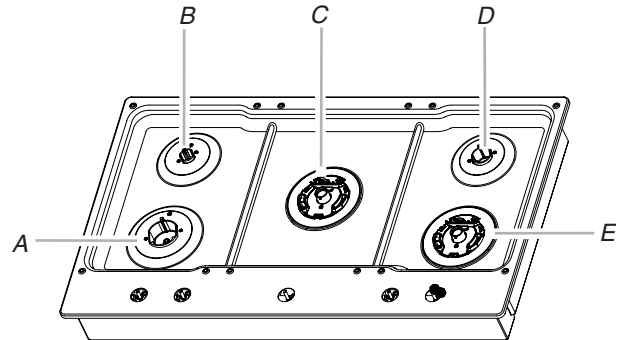
Burner Rating	Color	Stamp (A)	Size
5,000 BTU	Green	95	0.95 mm
9,100 BTU	White or no color	130	1.30 mm
10,000 BTU	Orange	135	1.35 mm
12,00 BTU	Red or Blue	150	1.50 mm
15,000 BTU	Yellow	175	1.75 mm
18,00 BTU	Pink	189	1.89 mm
17,000 BTU			
Inner	Red	165	1.65 mm
Outer	Red	79	0.79 mm
18,00 BTU			
Inner	Brown	169	1.69 mm
Outer	Brown	79	0.79 mm
19,000 BTU			
Inner	White	185	1.85 mm
Outer	White	57	0.57 mm



Burner Models for Kit W1067662

Model No.	Left Front	Left Rear	Center Inner	Center Outer	Right Rear	Right Front Inner	Right Front Outer
KCGS550E	140	105	91	160	115	140	N/A
	White	Red	Blue	Green	Black	White	
KCGS556E	140	105	91	180	115	140	N/A
	White	Red	Blue	Light Blue	Black	white	
KCGS950ES	140	105	91	160	115	67	125
	White	Red	Blue	Green	Black	Pink	Pink
KCGS956ES	150	105	91	180	115	67	125
	Brown	Red	Blue	Light Blue	Black	Pink	Pink

Burner locations



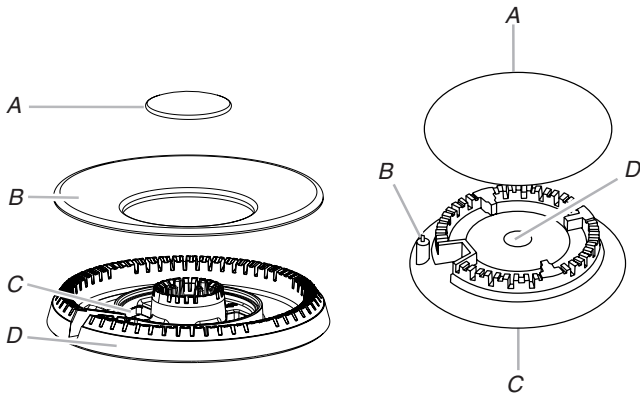
- A. Left front
- B. Left rear
- C. Center
- D. Right rear
- E. Right front

Burner Models for Kit W11173306

Model No.	Left Front	Left Rear	Center Inner	Center Outer	Right Rear	Right Front Inner
WCG55US0H MGC7430D ICS500DS00	95	175	N/A	N/A	150	130
	Green	Yellow			Red	White
WCG77US0H	130	130	175	N/A	95	135
	White	White	Yellow		Green	Orange
MGC9530D	95	189	N/A	N/A	150	130
	Green	Pink			Red	White
WCG97US0H	135	135	165	79	95	135
	Orange	Orange	Red	Red	Green	Orange
KCGS350E ICS655DS00	130	135	175	57	95	130
	White	Orange	Red	Red	Green	White
WCG55US6H MGC7536D	130	130	175	57	95	150
	White	White	Yellow	Yellow	Green	Red
WCG97US6H	130	130	169	79	95	150
	White	White	Brown	Brown	Green	Blue
MGC9536D	130	130	180	57	95	150
	White	White	Brown	Brown	Green	Red
KCGS356E	130	130	185	57	95	150
	White	White	White	White	Green	Red

5. Remove all burner caps and burner bases (see the User Guide for burner reference).

To remove the burner base for the Dual Flame and Dual Tier Ultra Torch burners use a Torx®† T10 driver to remove the screw.

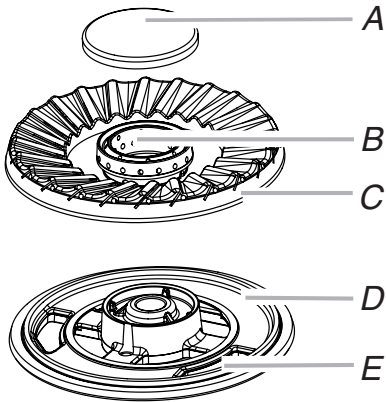


Dual Tier Ultra Burner

- A. Inner burner cap
- B. Outer burner cap
- C. Gas tube opening
- D. Burner base

Standard and Dual Flame

- A. Burner cap
- B. Igniter electrode
- C. Burner base
- D. Gas tube opening

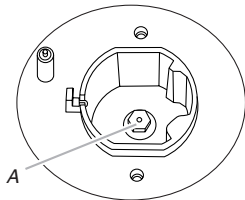


Torch Burner

- A. Inner burner cap
- B. Inner burner base
- C. Outer burner base
- D. Burner support
- E. Gas tube opening

6. To Convert Standard Burner:

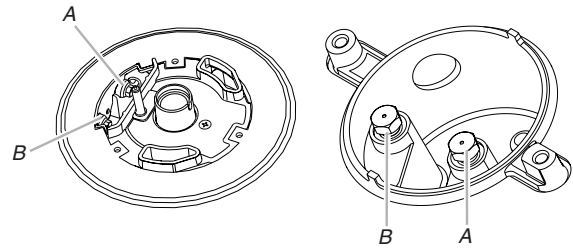
- Use 7.0 mm wrench to loosen and remove the orifice spud (A).
- Set gas orifice spud aside.
- Replace with correct Natural gas orifice spud. See Natural gas orifice spud charts.



A. Orifice spud

7. To Convert Dual Tier Ultra and Dual Flame Burners:

- Use 7.0 mm wrench to loosen and remove the inner orifice spud (A) and the outer orifice spud (B).
- Set gas orifice spuds aside.
- Replace with correct Natural gas orifice spuds. See the Natural gas orifice spud charts.



Dual Tier Ultra Burner

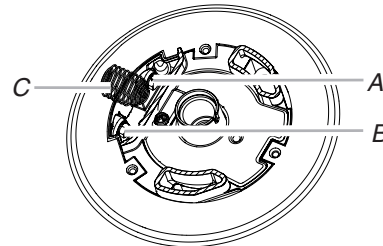
- A. Inner orifice spud
- B. Outer orifice spud

Standard and Dual Flame

- A. Inner orifice spud
- B. Outer orifice spud

8. To Convert Torch Burner

- Remove the spring that is shown in the following illustration (C).
- Use 7.0 mm wrench to loosen and remove the inner orifice spud (A) and the outer orifice spud (B).
- Set gas orifice spuds aside.
- Replace with correct Natural gas orifice spud. See the Natural gas orifice spud charts.
- Return the spring to its original location.



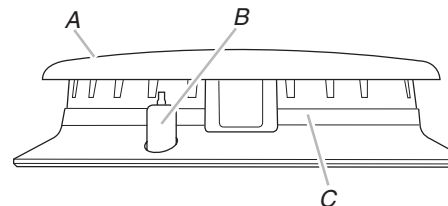
- A. Inner orifice spud
- B. Outer orifice spud
- C. Spring

IMPORTANT: Place Natural gas orifice spuds in plastic parts bag for future use and keep with package containing literature.

9. Replace sheet of insulation.

10. Replace burner bases and burner caps.

The igniter electrode is ceramic and could break during conversion. Be sure that the electrode comes through the hole in the burner smoothly while you are replacing the burner base.



- A. Burner cap
- B. Electrode
- C. Burner base

11. Open shutoff valve in the gas supply line. The valve is open when the handle is parallel to the gas pipe.

12. Plug in cooktop or reconnect power.

REMEMBER: Once you have completed converting all of the cooktop burners, test the cooktop for leaks by brushing on an approved noncorrosive leak-detection solution. If bubbles appear, a leak is indicated. Correct any leaks found.

13. To adjust single and dual valves, see the "Flame Height Adjustment" section.

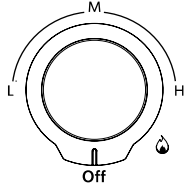
†TORX and T10 is a registered trademark of Acument Intellectual Properties, LLC.

Lighting the Electronic Igniters

The cooktop burners use electronic igniters in place of standing pilots. When the cooktop control knob is pushed in, the system creates a spark to light the burner. This sparking continues until the control knob is turned to the desired setting.

To Check Operation of the Cooktop Burners:

1. Push in and turn knobs to the ignition position (see the User Guide for additional information). The cooktop burner flame should light within 4 seconds. The first time a burner is lit, it may take longer than 4 seconds to light because of air in the gas line. Do not leave the knob in the ignition position after the burner lights.



2. If burners do not light properly, turn the control knob to the Off position. Make sure the burner caps are in the proper position.
3. Check that the power supply cord is plugged in. Check that the circuit breaker has not tripped or the household fuse has not blown.
4. Check that the shutoff valve is in the open position.
5. Check burner operation again.

If one or all of the burners do not light at this point, see "Assistance or Service" section in the User Guide.

Flame Height Adjustment

Each burner flame has been factory set to the lowest position available to provide reliable and constant reignition of the burner. However, each burner can be adjusted.

NOTE: If your model number begins with KGCS5 or KGCS9, call service, as this operation will require opening the unit.

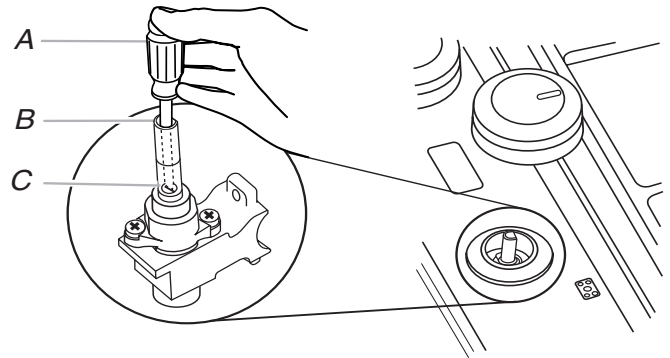
To Adjust:

The flame can be adjusted using the adjustment screws underneath the control knob.

NOTE: Check the Use and Care Guide for information on each burner to determine whether they are single or dual flame. Adjust the valves accordingly.

Adjustment for Single Valve

1. Set the burner flame to LO.
2. Remove the control knob.
3. Hold knob stem with a pair of pliers. Use a $\frac{3}{32}$ " (#0 [2.0 mm]) flat-blade screwdriver to turn the screw located within the shaft of the control knob stem until the flame is the proper size.



- A. $\frac{3}{32}$ " (#0 [2.0 mm]) flat-blade screwdriver (screwdriver shaft must be a minimum of 2" [5.1 cm] long)
 B. Control knob stem opening
 C. Adjustment screw location

For Propane gas conversion:

Completely tighten screw "C" to set the inimum flame height.

For Natural gas conversion:

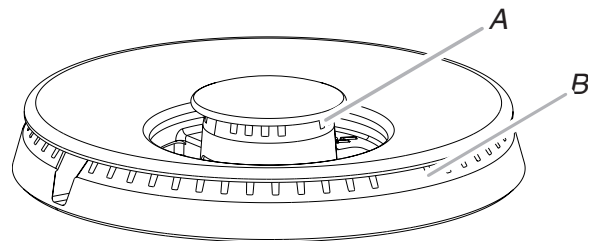
Tighten screw "C" to reduce flame height. Loosen screw to increase flame height. See "Complete Burner Adjustment" section.

4. Replace the control knob.
5. Test the flame by turning the control from LO to HI, checking the flame at each setting.

Adjustment for Dual Valve

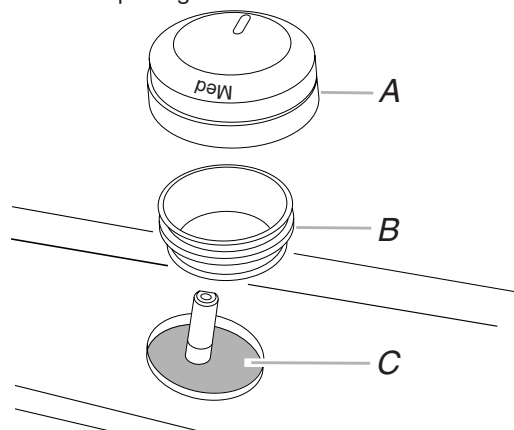
To Adjust Inner Crown Flame:

1. Set the inner crown flame to LO.



- A. Inner crown
 B. Outer crown

2. Remove the control knob.
3. Remove the black rubber grommet.
4. Using needle-nose pliers, remove the gray shield inside the burner valve opening.



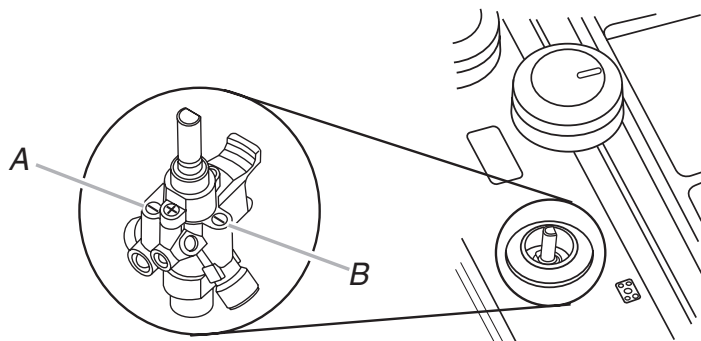
- A. Control knob
 B. Black rubber grommet
 C. Gray shield

5. For Propane gas conversion:

Completely tighten screw “A” to set the minimum flame height.

For Natural gas conversion:

Tighten screw “A” to reduce flame height. Loosen screw to increase flame height. See “Complete Burner Adjustment” section.



A. Inner crown adjustment screw
B. Outer crown adjustment screw

6. Replace the control knob.

To Adjust Outer Crown Flame:

1. Set the outer crown flame to LO.

2. Remove the control knob.

3. For Propane gas conversion:

Completely tighten screw “B” to set the minimum flame height.

For Natural gas conversion:

Tighten screw “B” to reduce flame height. Loosen screw to increase flame height. See “Complete Burner Adjustment” section.

4. Replace the gray shield. Use a screwdriver to help push the shield into place.

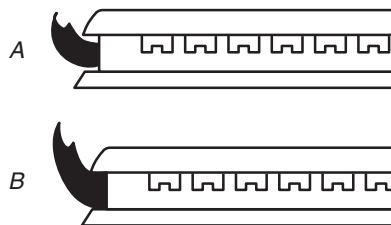
5. Replace the black rubber grommet.

6. Replace the control knob.

7. Test the flame by turning the control from LO to HI, checking the flame at each setting.

Complete Burner Adjustment

1. Check burner flame(s) for a proper size and shape. The cooktop low burner flame should be a steady blue flame approximately 1/4” (0.64 cm) high.



2. Completely fill out the conversion label and attach label to bottom of the cooktop next to the rating tag. Do not cover the rating tag with the conversion label.

IMPORTANT: Place gas orifice spuds in plastic parts bag for future use and keep with package containing literature.

Read “Sealed Surface Burners” section in the Use and Care Guide supplied with your cooktop.

Notes

SÉCURITÉ DE LA TABLE DE CUISSON

Votre sécurité et celle des autres est très importante.

Nous donnons de nombreux messages de sécurité importants dans ce manuel et sur votre appareil ménager. Assurez-vous de toujours lire tous les messages de sécurité et de vous y conformer.



Voici le symbole d'alerte de sécurité.

Ce symbole d'alerte de sécurité vous signale les dangers potentiels de décès et de blessures graves à vous et à d'autres.

Tous les messages de sécurité suivront le symbole d'alerte de sécurité et le mot "DANGER" ou "AVERTISSEMENT". Ces mots signifient :

⚠ DANGER

Risque possible de décès ou de blessure grave si vous ne suivez pas immédiatement les instructions.

⚠ AVERTISSEMENT

Risque possible de décès ou de blessure grave si vous ne suivez pas les instructions.

Tous les messages de sécurité vous diront quel est le danger potentiel et vous disent comment réduire le risque de blessure et ce qui peut se produire en cas de non-respect des instructions.

AVERTISSEMENT : Si les renseignements dans ces instructions ne sont pas exactement observés, un incendie ou une explosion peut survenir, causant des dommages au produit, des blessures ou un décès.

- **Ne pas entreposer ni utiliser de l'essence ou d'autres vapeurs ou liquides inflammables à proximité de cet appareil ou de tout autre appareil électroménager.**
- **QUE FAIRE DANS LE CAS D'UNE ODEUR DE GAZ :**
 - **Ne pas tenter d'allumer un appareil.**
 - **Ne pas toucher à un commutateur électrique.**
 - **Ne pas utiliser le téléphone se trouvant sur les lieux.**
 - **Appeler immédiatement le fournisseur de gaz à partir du téléphone d'un voisin. Suivre ses instructions.**
 - **À défaut de joindre votre fournisseur de gaz, appeler les pompiers.**
- **L'installation et l'entretien doivent être effectués par un installateur qualifié, une agence de service ou le fournisseur de gaz.**

AVERTISSEMENT : L'odorat ne permet pas toujours la détection d'une fuite de gaz.

Les distributeurs de gaz recommandent l'emploi d'un détecteur de gaz (homologation UL ou CSA).

Pour d'autre information, contacter le fournisseur de gaz local.

En cas de détection d'une fuite de gaz, exécuter les instructions "Que faire dans le cas d'une odeur de gaz".

Dans l'État du Massachusetts, les instructions d'installation suivantes sont applicables :

- Les travaux d'installation et réparation doivent être exécutés par un plombier ou tuyauteur qualifié ou licencié, ou par le personnel qualifié d'une entreprise licenciée par l'État du Massachusetts.
- Remplacer par des dispositifs de fermeture acceptables : Les robinets de gaz et robinets à bille installés pour l'utilisation devraient être indiqués.
- Si un conduit de raccordement flexible est utilisé, sa longueur ne doit pas dépasser 4 pi (121,9 cm).

Outils et pièces

Rassembler les outils et pièces nécessaires pour l'exécution correcte de la conversion pour l'alimentation au gaz propane.

Outils nécessaires

- Tournevis à lame plate
- Tournevis à tête plate de $\frac{3}{32}$ " (n° 0 [2 mm]) (la tige doit mesurer au moins 2" [5,1 cm] de long)
- Clé à molette
- Tourne-écrou de 7,0 mm
- Clé de 7,0 mm
- Adaptateur Torx®† T10

Pièces nécessaires

Pour les modèles KCGS550ESS, KCGS556ESS, KCGS950ESS et KCGS956ESS, utiliser les pièces suivantes :

- Sachet de gicleurs pour propane (W10676662)
- Instructions de conversion (W11168236)

Pour les autres modèles, utiliser les pièces suivantes :

- Sachet de gicleurs pour propane (W11173306)
- Instructions pour la conversion (W11168236)

Conversion pour utilisation en haute altitude

Pour convertir la table de cuisson pour des altitudes supérieures à 6 560pi (1999,5 m), commander un ensemble pour conversion en haute altitude.

Pour les modèles KCGS550ESS, KCGS556ESS, KCGS950ESS et KCGS956ESS, utiliser les pièces suivantes :

- Pièce numéro W10679116 - gaz propane pour haute altitude
- Pièce numéro W10679118 - gaz naturel pour haute altitude

Pour les autres modèles, utiliser les pièces suivantes :

- Pièce numéro W10679114 - gaz propane pour haute altitude
- Pièce numéro W10679113 - gaz naturel pour haute altitude

Pour commander, voir la section "Assistance ou service" du guide d'utilisation.

IMPORTANT : L'opération de conversion de l'appareil (pour l'alimentation au gaz propane au lieu du gaz naturel) doit être exécutée par un installateur qualifié. Avant d'entreprendre la conversion, fermer l'arrivée de gaz à la table de cuisson avant d'interrompre l'alimentation électrique de la table de cuisson.

AVERTISSEMENT

Cet ensemble de conversion doit être installé par le personnel qualifié d'une agence de service en conformité avec les instructions du fabricant et les prescriptions de tous les codes en vigueur et des autorités juridictionnelles. Si les présentes instructions ne sont pas rigoureusement respectées, ceci peut provoquer un incendie, une explosion ou la génération de monoxyde de carbone provoquant des dommages corporels ou matériels, ou même la mort. La responsabilité de l'installation correcte de cet ensemble de conversion incombe au personnel qualifié d'une agence de service. L'installation n'est pas correcte et complète avant que le bon fonctionnement de l'appareil converti ait été vérifié sur la base des spécifications présentées dans les instructions du fabricant fournies avec cet ensemble de pièces.

†*TORX et T10 est une marque déposée d'Acument Intellectual Properties, LLC.

AVERTISSEMENT



Risque d'explosion

Utiliser une canalisation neuve d'arrivée de gaz approuvée par la CSA International.

Installer un robinet d'arrêt.

Bien serrer chaque organe de connexion de la canalisation de gaz.

En cas de connexion au gaz propane, demander à une personne qualifiée de s'assurer que la pression de gaz ne dépasse pas 36 cm (14 po) de la colonne d'eau.

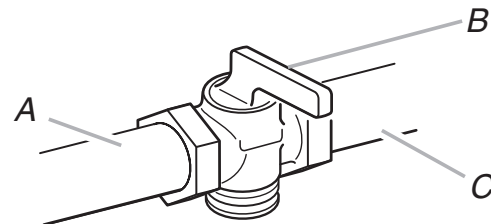
Par personne qualifiée, on comprend :

le personnel autorisé de chauffage,
le personnel autorisé d'une compagnie de gaz, et
le personnel d'entretien autorisé.

Le non-respect de ces instructions peut causer un décès, une explosion ou un incendie.

Conversion du gaz naturel au propane

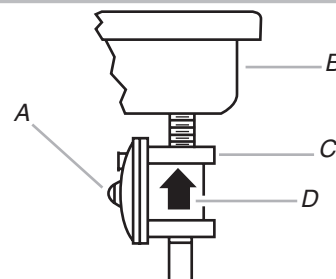
1. Fermer le robinet d'arrêt manuel.



- A. Vers la table de cuisson
- B. Robinet d'arrêt (position de fermeture)
- C. Canalisation d'alimentation en gaz

2. Débrancher la table de cuisson ou déconnecter la source de courant électrique.

Conversion du détendeur



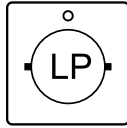
- A. Vers la table de cuisson
- B. Robinet d'arrêt (position de fermeture)
- C. Canalisation d'alimentation en gaz

3. Déterminer le type du détendeur :

Style 1 : Le chapeau comporte une rainure et la mention "NAT".

Utiliser un tournevis à lame plate ou une pièce de monnaie pour dévisser le chapeau de l'ouverture d'accès; faire tourner le chapeau dans le sens antihoraire.

Deux réglages sont possibles pour le détendeur; l'information correspondante est gravée de chaque côté du chapeau. Orienter le chapeau correctement, et réinstaller le chapeau sur le détendeur; la mention "LP" doit être visible à l'extérieur du détendeur.

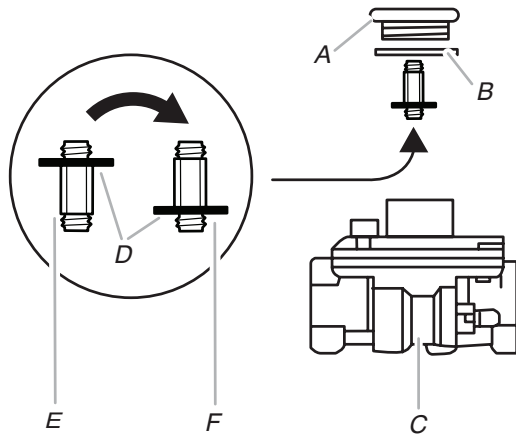


Style 2 : le capuchon d'accès comporte une fente ou une forme hexadécimale, sans texte imprimé.

Retirez le capuchon d'accès à l'aide d'un tournevis ou d'une clé à clé à plat tournant le capuchon d'accès dans le sens inverse des aiguilles d'une montre.

Si Seven Universe est imprimé sur le régulateur, dévisser le dispositif de retenue du ressort en le tournant dans le sens inverse des aiguilles d'une montre. Si Maxitrol est imprimé sur le régulateur, appliquez la force sur le côté plat du dispositif de retenue du ressort pour l'enlever.

Tournez le dispositif de retenue du ressort pour placer le disque sur le dispositif de retenue du ressort loin du capuchon d'accès. Installez le dispositif de retenue du ressort de sept univers en le tournant dans le sens des aiguilles d'une montre pour le brancher complètement dans le capot d'accès ou pour le ressort de ressort Maxitrol en appliquant une pression pour enfoncer le dispositif de retenue du ressort dans le capuchon d'accès. Réinstallez le capuchon et scellez le régulateur en tournant dans le sens des aiguilles d'une montre.



- A. Capuchon d'accès
- B. Sceau
- C. Régulateur
- D. Disk on Spring Retainer
- E. Retenue de printemps en position de gaz naturel
- F. Spring Retainer dans la position du gaz LP

4. Tester le détendeur et la canalisation de gaz.

On doit tester le détendeur sous une pression supérieure d'au moins 1" (2,5 cm) de colonne d'eau à la pression de service. Pour le fonctionnement et le contrôle du réglage du détendeur, il faut que la pression d'admission au détendeur corresponde aux indications ci-dessous :

Gaz propane :

Pression minimale de 10" (25,4 cm) (colonne d'eau)

Pression de service 14" (35,5 cm) (colonne d'eau)

Essai de pression de la canalisation de gaz

Mise sous pression à une pression supérieure à 1/2 lb/po² (3,5 kPa) (14" [35,5 cm] de colonne d'eau)

Pour tout test de pressurisation du système à une pression supérieure à 1/2 lb/po² (3,5 kPa), on doit déconnecter la table de cuisson et son robinet d'arrêt de la canalisation à pressuriser.

Mise sous pression à une pression de 1/2 lb/po² (3,5 kPa) (14" [35,5 cm] de colonne d'eau) ou moins

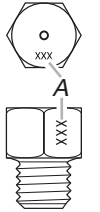
La table de cuisson devra être isolée de la canalisation de gaz par la fermeture du robinet d'arrêt manuel individuel durant tout test de pressurisation de la canalisation de gaz à une pression égale ou inférieure à 1/2 lb/po² (3,5 kPa).

5. Si les grilles de brûleur sont installées, les retirer.

Utiliser les tableaux qui suivent pour choisir le gicleur approprié selon le modèle de l'appareil et l'emplacement du brûleur à convertir.

Tableau des gicleurs pour gaz propane pour ensemble W10676661

Puissance thermique	Couleur	Empreinte (A)	Taille
5 000 BTU	Vert	66	0,66 mm
7 000 BTU	Blanc	75	0,75 mm
8 000 BTU	Orange	79	0,79 mm
11 000 BTU	Rouge	97	0,97 mm
13 000 BTU	Jaune	108	1,08 mm
16 000 BTU	Rose	115	1,15 mm
12 000 BTU Interne	Marron	85	0,85 mm
Externe	Marron	48	0,48 mm
11 000 BTU Interne	Noir	89	0,89 mm
Externe	Noir	40	0,40 mm



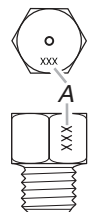
A. Empreinte de la taille

Modèles de brûleur pour ensemble W11173306

Modèle n°	Avant gauche	Arrière gauche	Centre Interne	Centre Externe	Arrière droit	Avant droit
WCG55US0H	66	108	N/A	N/A	97	75
MGC7430D	Vert	Jaune			Rouge	Blanc
ICS500DS00						
WCG77US0H	75	79	108	N/A	66	75
	Blanc	Vert	Jaune		Vert	Blanc
	66	115	N/A	N/A	97	75
MGC9530D	Vert	Rose			Rouge	Blanc
KCGS350E	75	79	85	48	66	75
ICS655DS00	Blanc	Orange	Marron	Marron	Vert	Blanc
WCG55US6H	75	75	97	N/A	66	97
MGC7536D	Blanc	Blanc	Rouge		Vert	Rouge
MGC9536D	75	75	85	48	66	97
KCGS356E	Blanc	Blanc	Marron	Marron	Vert	Rouge
WCG97US0H	75	79	89	40	66	75
	Blanc	Orange	Noir	Noir	Vert	Blanc
WCG97US6H	75	75	89	40	66	97
	Blanc	Blanc	Noir	Noir	Vert	Rouge

Tableau des gicleurs pour gaz propane pour ensemble W10676662

Puissance thermique	Couleur	Empreinte (A)	Taille
5 000 BTU	Blanc	66	0,66 mm
6 000 BTU	Vert	70	0,70 mm
9 100 BTU	Noir	89	0,89 mm
11 000 BTU	Orange	97	0,97 mm
13 000 BTU Interne	Bleu	45	0,45 mm
Externe	Marron	97	0,97 mm
14 000 BTU Interne	Bleu	45	0,45 mm
Externe	Jaune	101	1,01 mm
16 000 BTU Interne	Bleu	45	0,45 mm
Externe	Rouge	105	1,05 mm
9 000 BTU Interne	Rose	40	0,40 mm
Externe	Rose	80	0,80 mm

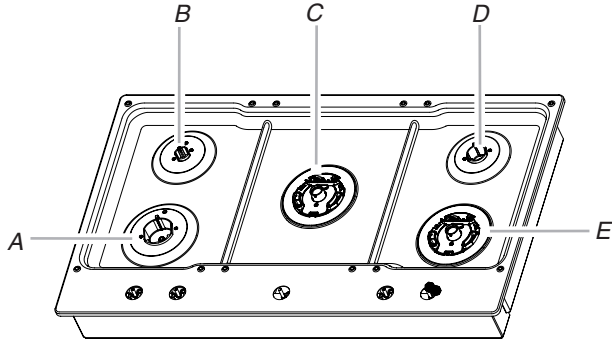


A. Empreinte de la taille

Modèles de brûleur pour ensemble W1067662

Modèle n°	Avant gauche	Arrière gauche	Centre Interne	Centre Externe	Arrière droit	Avant droit Interne	Avant droit Externe
KCGS550E	89 Noir	66 Blanc	45 Bleu	97 Marron	70 Vert	89 Noir	N.D.
KCGS556E	89 Noir	66 blanc	45 Bleu	101 Jaune	70 Vert	89 Noir	N.D.
KCGS950ES	89 Noir	66 Blanc	45 Bleu	97 Marron	70 Vert	40 Rose	80 Rose
KCGS956ES	97 Orange	66 Blanc	45 Bleu	105 Rouge	70 Vert	40 Rose	80 Rose

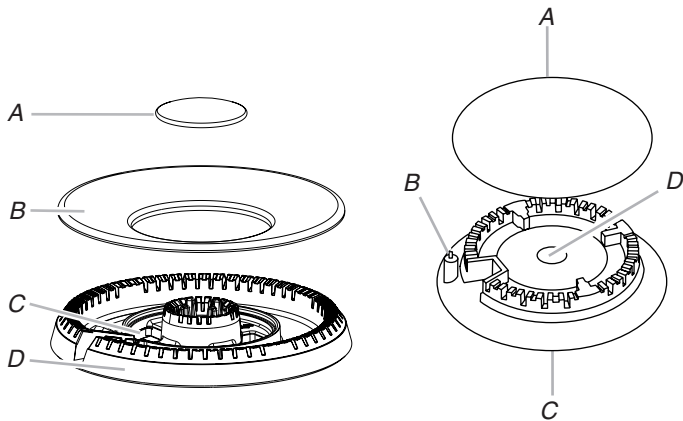
Emplacement des brûleurs



- A. Avant gauche D. Arrière droit
B. Arrière gauche E. Avant droit
C. Central

6. Retirer tous les chapeaux et les bases des brûleurs (consulter le Guide d'utilisation pour des informations sur les brûleurs).

Pour retirer la base des brûleurs à couronne double et des brûleurs torches Dual Tier Ultra, utiliser un tournevis Torx[†] T10 pour retirer la vis.

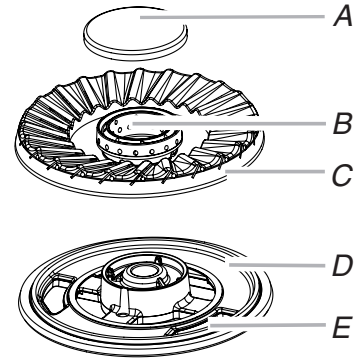


Brûleur Dual Tier Ultra

- A. Chapeau du brûleur interne
B. Chapeau du brûleur externe
C. Ouverture du tuyau de gaz
D. Base du brûleur

Standard et double flamme

- A. Chapeau de brûleur
B. Électrode d'allumeur
C. Base du brûleur
D. Ouverture du tuyau de gaz

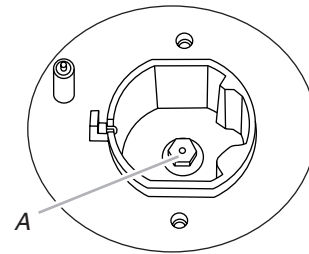


Brûleur torche

- A. Chapeau du brûleur interne
B. Base du brûleur interne
C. Base du brûleur externe
D. Support du brûleur
E. Ouverture du tube d'arrivée de gaz

7. Conversion du brûleur standard :

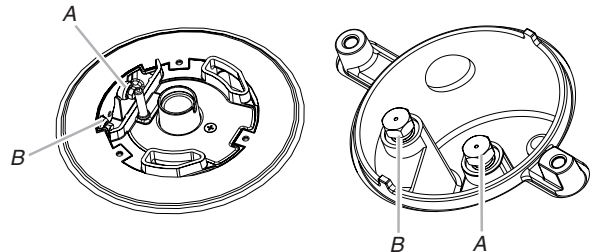
- À l'aide d'une clé de 7 mm, desserrer et retirer le gicleur (A).
- Conserver à part le gicleur du brûleur.
- Remplacer le gicleur par un gicleur pour gaz propane de taille correcte. Voir les tableaux de sélection des gicleurs pour gaz propane.



A. Gicleur

8. Conversion des brûleurs Dual Tier Ultra et à double flamme :

- À l'aide d'une clé de 7 mm, desserrer et retirer le gicleur intérieur (A) et le gicleur extérieur (B).
- Conserver à part les gicleurs de brûleur.
- Remplacer les gicleurs par des gicleurs pour gaz propane de taille correcte. Voir les tableaux de sélection des gicleurs pour gaz propane.



Brûleur Dual Tier Ultra

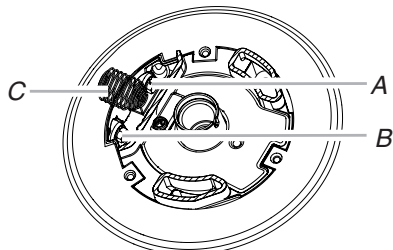
- A. Gicleur interne
B. Gicleur externe

Standard et double flamme

- A. Gicleur interne
B. Gicleur externe

9. Conversion du brûleur torche

- Retirer le ressort tel qu'indiqué sur l'illustration suivante (C).
- À l'aide d'une clé de 7 mm, desserrer et retirer le gicleur intérieur (A) et le gicleur extérieur (B).
- Conserver à part les gicleurs de brûleur.
- Remplacer le gicleur par un gicleur pour gaz propane de taille correcte. Voir les tableaux de sélection des gicleurs pour gaz propane.
- Replacer le ressort dans son emplacement d'origine.



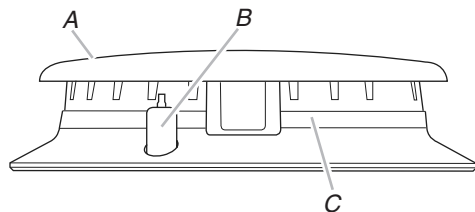
A. Gicleur interne
B. Gicleur externe
C. Ressort

IMPORTANT : Placer les gicleurs pour gaz naturel dans le sachet de pièces en plastique et les conserver avec le sachet de documentation, pour pouvoir les réutiliser ultérieurement.

10. Replacer la feuille isolante.

11. Replacer les bases et chapeaux de brûleur.

L'électrode d'allumage est en céramique et peut se briser durant l'opération de conversion. Lorsque l'on réinstalle la base du brûleur, veiller à ce que l'électrode traverse sans difficulté le trou dans le brûleur.



A. Chapeau de brûleur
B. Électrode
C. Base du brûleur

12. Ouvrir le robinet d'arrêt de la canalisation de gaz. Le robinet est ouvert lorsque la manette est parallèle au conduit d'alimentation en gaz.

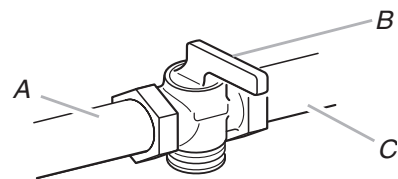
13. Brancher la table de cuisson ou reconnecter la source de courant électrique.

NE PAS OUBLIER : Après avoir exécuté la conversion de chaque brûleur de la table de cuisson, effectuer un test de recherche des fuites en appliquant une solution homologuée (non corrosive) pour détection des fuites sur les connexions du circuit de gaz. L'apparition de bulles indique une fuite. Éliminer toute fuite détectée.

14. Pour régler les robinets simples et doubles, consulter la section "Réglage de la taille des flammes".

Conversion pour changement de gaz propane au gaz naturel

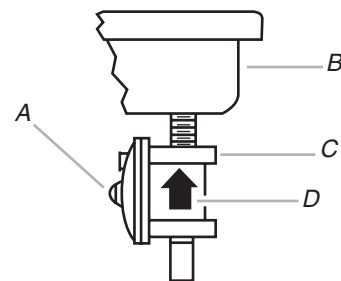
1. Fermer le robinet d'arrêt manuel.



A. Vers la table de cuisson
B. Robinet d'arrêt (position de fermeture)
C. Canalisation d'alimentation en gaz

2. Débrancher la table de cuisson ou déconnecter la source de courant électrique.

Conversion du détendeur



A. Chapeau de l'ouverture d'accès
B. Arrière de la table de cuisson
C. Détendeur
D. Sens de circulation du gaz

3. Déterminer le type du détendeur :

Style 1 : Le chapeau comporte une rainure et la mention "LP".

Utiliser un tournevis à lame plate ou une pièce de monnaie pour dévisser le chapeau de l'ouverture d'accès; faire tourner le chapeau dans le sens antihoraire.

Deux réglages sont possibles pour le détendeur; l'information correspondante est gravée de chaque côté du chapeau. Orienter le chapeau correctement, et réinstaller le chapeau sur le détendeur; la mention "NAT" doit être visible à l'extérieur du détendeur.



Style 2 : le capuchon d'accès comporte une fente ou une forme hexadécimale, sans texte imprimé.

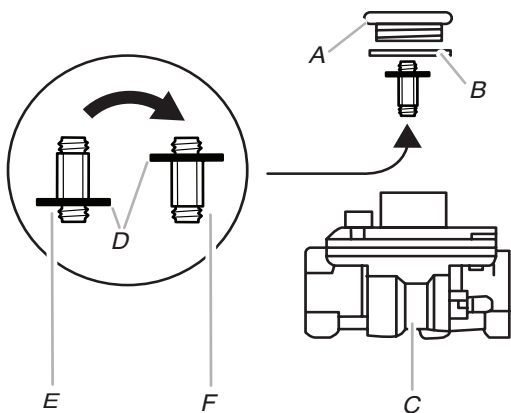
Retirez le capuchon d'accès à l'aide d'un tournevis ou d'une clé à clé à plat tournant le capuchon d'accès dans le sens inverse des aiguilles d'une montre.

Si Seven Universe est imprimé sur le régulateur, dévisser le dispositif de retenue de ressort en le tournant dans le sens inverse des aiguilles d'une montre. Si Maxitrol est imprimé sur le régulateur, appliquez la force sur le côté plat du dispositif de retenue du ressort pour l'enlever.

Tournez le dispositif de retenue du ressort pour placer le disque sur le dispositif de retenue du ressort près du capuchon d'accès.

Installez le dispositif de retenue du ressort de sept univers en le tournant dans le sens des aiguilles d'une montre pour le brancher complètement dans le capot d'accès ou pour le ressort de ressort Maxitrol en appliquant une pression pour enfoncer le dispositif de retenue du ressort dans le capuchon d'accès.

Réinstallez le capuchon et scellez le régulateur en tournant dans le sens des aiguilles d'une montre.



A. Capuchon d'accès

B. Sceau

C. Régulateur

D. Disk on Spring Retainer

E. Spring Retainer dans la position du gaz LP

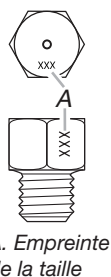
F. Retenue de printemps en position de gaz naturel

4. Si les grilles de brûleur sont installées, les retirer.

Utiliser les tableaux qui suivent pour choisir le gicleur approprié selon le modèle de l'appareil et l'emplacement du brûleur à convertir.

Tableau des gicleurs pour gaz naturel pour ensemble W11173306

Puissance thermique	Couleur	Empreinte (A)	Taille
5 000 BTU	Vert	95	0,95 mm
9 100 BTU	Blanc ou aucune couleur	130	1,30 mm
10 000 BTU	Orange	135	1,35 mm
12 000 BTU	Rouge ou bleu	150	1,50 mm
15 000 BTU	Jaune	175	1,75 mm
18 000 BTU	Rose	189	1,89 mm
17 000 BTU Interne	Rouge	165	1,65 mm
17 000 BTU Externe	Rouge	79	0,79 mm
18 000 BTU Interne	Marron	169	1,69 mm
18 000 BTU Externe	Marron	79	0,79 mm
19 000 BTU Interne	Blanc	185	1,85 mm
19 000 BTU Externe	Blanc	57	0,57 mm



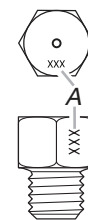
A. Empreinte de la taille

Modèles de brûleur pour ensemble W11173306

Modèle n°	Avant gauche	Arrière gauche	Centre Interne	Centre Externe	Arrière droit	Avant droit Interne
WCG55US0H	95	175	N/A	N/A	150	130
MGC7430D	Vert	Jaune			Rouge	Blanc
ICS500DS00						
WCG77US0H	130	130	175	N/A	95	135
	Blanc	Blanc	Jaune		Vert	Orange
MGC9530D	95	189	N/A	N/A	150	130
	Vert	Rose			Rouge	Blanc
WCG97US0H	135	135	165	79	95	135
	Orange	Orange	Rouge	Rouge	Vert	Orange
KCGS350E	130	135	175	57	95	130
ICS655DS00	Blanc	Orange	Rouge	Rouge	Vert	Blanc
WCG55US6H	130	130	175	57	95	150
MGC7536D	Blanc	Blanc	Jaune	Jaune	Vert	Rouge
WCG97US6H	130	130	169	79	95	150
	Blanc	Blanc	Marron	Marron	Vert	Bleu
MGC9536D	130	130	180	57	95	150
	Blanc	Blanc	Marron	Marron	Vert	Rouge
KCGS356E	130	130	185	57	95	150
	Blanc	Blanc	Blanc	Blanc	Vert	Rouge

Tableau des gicleurs pour gaz naturel pour ensemble W10676662

Puissance thermique	Couleur	Empreinte (A)	Taille
6 000 BTU	Rouge	105	1,05 mm
7 000 BTU	Noir	115	1,15 mm
10 000 BTU	Blanc	140	1,40 mm
12 000 BTU	Marron	150	1,50 mm
17 000 BTU Interne	Bleu	91	0,91 mm
17 000 BTU Autre	Vert	160	1,60 mm
18 000 BTU Interne	Bleu	91	0,91 mm
18 000 BTU Externe	Bleu	165	1,65 mm
20 000 BTU Interne	Bleu	91	0,91 mm
20 000 BTU Externe	Bleu clair	180	1,80 mm
10 000 BTU Interne	Rose	66	0,66 mm
10 000 BTU Externe	Rose	123	1,23 mm

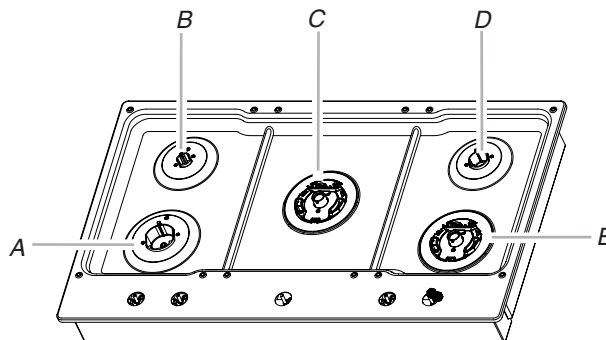


A. Empreinte de la taille

Modèles de brûleur pour ensemble W10676662

Modèle n°	Avant gauche	Arrière gauche	Centre Interne	Centre Externe	Arrière droit	Avant droit Interne	Avant droit Externe
KCGS550E	140	105	91	160	115	140	N.D.
	Blanc	Rouge	Bleu	Vert	Noir	Blanc	
KCGS556E	140	105	91	180	115	140	N.D.
	Blanc	Rouge	Bleu	Bleu clair	Noir	blanc	
KCGS950ES	140	105	91	160	115	67	125
	Blanc	Rouge	Bleu	Vert	Noir	Rose	Rose
KCGS956ES	150	105	91	180	115	67	125
	Marron	Rouge	Bleu	Bleu clair	Noir	Rose	Rose

Emplacement des brûleurs



A. Avant gauche

B. Arrière gauche

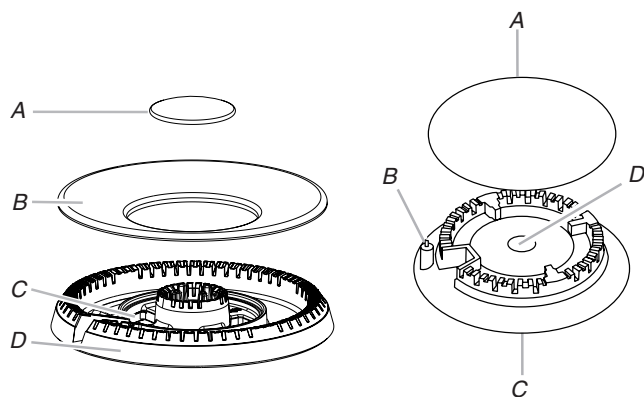
C. Central

D. Arrière droit

E. Avant droit

5. Retirer tous les chapeaux et les bases des brûleurs (consulter le Guide d'utilisation pour des informations sur les brûleurs).

Pour retirer la base des brûleurs à couronne double et des brûleurs torches Dual Tier Ultra, utiliser un tournevis Torx®† T10 pour retirer la vis.

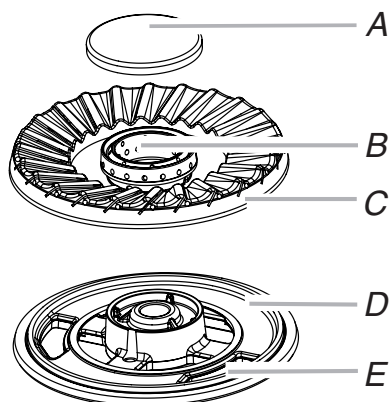


Brûleur Dual Tier Ultra

- A. Chapeau du brûleur interne
- B. Chapeau du brûleur externe
- C. Ouverture du tuyau de gaz
- D. Base du brûleur

Standard et double flamme

- A. Chapeau de brûleur
- B. Électrode d'allumeur
- C. Base du brûleur
- D. Ouverture du tuyau de gaz

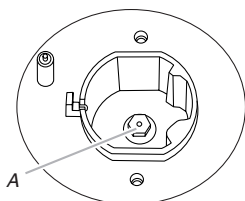


Brûleur torche

- A. Chapeau du brûleur interne
- B. Base du brûleur interne
- C. Base du brûleur externe
- D. Support du brûleur
- E. Ouverture du tube d'arrivée de gaz

6. Conversion du brûleur standard :

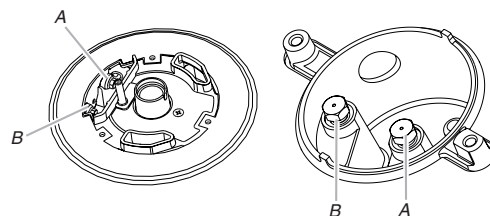
- À l'aide d'une clé de 7 mm, desserrer et retirer le gicleur (A).
- Conserver à part le gicleur du brûleur.
- Remplacer le gicleur par un gicleur pour gaz naturel de taille correcte. Voir les tableaux de sélection des gicleurs pour gaz naturel.



A. Gicleur

7. Conversion des brûleurs Dual Tier Ultra et à double flamme :

- À l'aide d'une clé de 7 mm, desserrer et retirer le gicleur intérieur (A) et le gicleur extérieur (B).
- Conserver à part les gicleurs de brûleur.
- Remplacer les gicleurs par des gicleurs pour gaz naturel de taille correcte. Voir les tableaux de sélection des gicleurs pour gaz naturel.



Brûleur Dual Tier Ultra

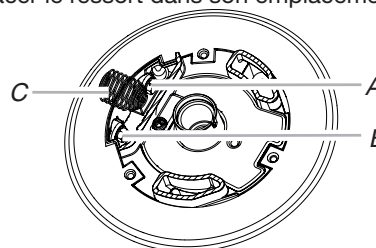
- A. Gicleur interne
- B. Gicleur externe

Standard et double flamme

- A. Gicleur interne
- B. Gicleur externe

8. Conversion du brûleur torche

- Retirer le ressort tel qu'indiqué sur l'illustration suivante (C).
- À l'aide d'une clé de 7 mm, desserrer et retirer le gicleur intérieur (A) et le gicleur extérieur (B).
- Conserver à part les gicleurs de brûleur.
- Remplacer le gicleur par un gicleur pour gaz naturel de taille correcte. Voir les tableaux de sélection des gicleurs pour gaz naturel.
- Replacer le ressort dans son emplacement d'origine.



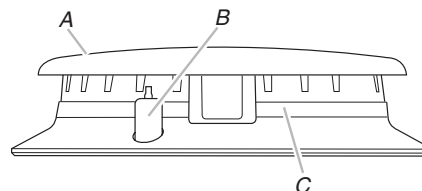
- A. Gicleur interne
- B. Gicleur externe
- C. Ressort

IMPORTANT : Placer les gicleurs pour gaz naturel dans le sachet de pièces en plastique et les conserver avec le sachet de documentation, pour pouvoir les réutiliser ultérieurement.

9. Replacer la feuille isolante.

10. Replacer les bases et chapeaux de brûleur.

L'électrode d'allumage est en céramique et peut se briser durant l'opération de conversion. Lorsque l'on réinstalle la base du brûleur, veiller à ce que l'électrode traverse sans difficulté le trou dans le brûleur.



- A. Chapeau de brûleur
- B. Électrode
- C. Base du brûleur

11. Ouvrir le robinet d'arrêt de la canalisation de gaz. Le robinet est ouvert lorsque la manette est parallèle au conduit d'alimentation en gaz.

12. Brancher la table de cuisson ou reconnecter la source de courant électrique.

NE PAS OUBLIER : Après avoir exécuté la conversion de chaque brûleur de la table de cuisson, effectuer un test de recherche des fuites en appliquant une solution homologuée (non corrosive) pour détection des fuites sur les connexions du circuit de gaz. L'apparition de bulles indique une fuite. Éliminer toute fuite détectée.

13. Pour régler les robinets simples et doubles, consulter la section "Réglage de la taille des flammes".

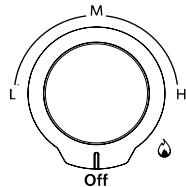
†*TORX et T10 est une marque déposée d'Acument Intellectual Properties, LLC.

Allumeurs électroniques - allumage

À la place de flammes de veille, les brûleurs de la table de cuisson sont dotés d'allumeurs électroniques. Lorsque l'on enfonce le bouton de commande de la table de cuisson, le système génère une étincelle pour allumer le brûleur. La génération d'étincelles se poursuit jusqu'au moment où l'utilisateur ramène le bouton de commande au réglage désiré.

Contrôle du fonctionnement des brûleurs de la table de cuisson :

1. Enfoncer les boutons et les tourner à la position d'allumage (voir le guide d'utilisation pour plus d'informations). Le gaz doit s'enflammer sur le brûleur en moins de 4 secondes. Lors de l'allumage initial du brûleur, le délai d'allumage peut être supérieur à 4 secondes du fait de la présence d'air dans la canalisation de gaz. Après l'inflammation du gaz, ne pas laisser le bouton à la position d'allumage.



2. Si le brûleur ne s'allume pas correctement, tourner le bouton de commande à la position Off (arrêt). Veiller à ce que les chapeaux de brûleurs soient à la position correcte.
3. Vérifier que le cordon d'alimentation est branché. Vérifier que le disjoncteur ne s'est pas déclenché et qu'aucun fusible n'a grillé.
4. Vérifier que le robinet d'arrêt de la canalisation de gaz est en position ouverte.
5. Contrôler de nouveau le fonctionnement du brûleur.

Si l'un ou tous les brûleurs ne peuvent toujours pas s'allumer, voir la section "Assistance ou service" dans le guide d'utilisation.

Réglage de la taille des flammes

La flamme de chaque brûleur a été réglée en usine à la position la plus basse pour que le dispositif de réallumage du brûleur fonctionne constamment d'une manière fiable. Cependant, il est possible de régler chaque brûleur.

REMARQUE : Si le numéro de modèle de votre appareil commence par KGCS5 ou par KGCS9, appeler pour demander une intervention de dépannage, car cette opération nécessite d'ouvrir l'appareil.

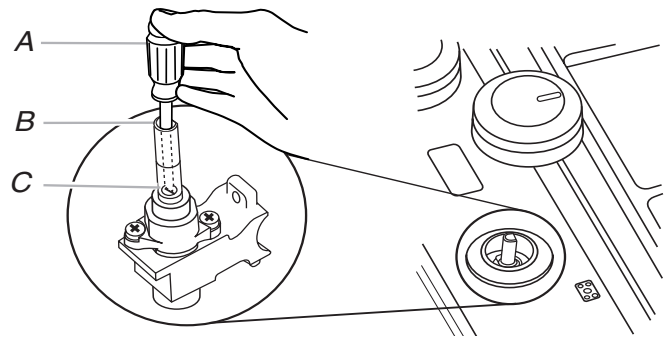
Processus de réglage :

La taille des flammes peut être réglée à l'aide des vis de réglage situées sous le bouton de commande.

REMARQUE : Consulter le guide d'utilisation et d'entretien pour déterminer si chaque brûleur est à flamme simple ou double. Effectuer les réglages appropriés sur les gicleurs.

Réglage pour robinet simple

1. Régler la flamme du brûleur sur LO (réglage bas).
2. Ôter le bouton de commande.
3. Immobiliser la tige de commande avec une pince. Utiliser un tournevis à tête plate de $\frac{3}{32}$ " (n° 0 [2,0 mm]) pour faire tourner la vis située au centre de la tige du bouton de commande jusqu'à ce que la flamme atteigne la bonne taille.



- A. Tournevis à tête plate de $\frac{3}{32}$ " (n° 0 [2 mm]) (la tige doit mesurer au moins 2" [5,1 cm] de long)
- B. Orifice de la tige du bouton de commande
- C. Emplacement de la vis de réglage

Conversion pour l'alimentation au propane :

Serrer complètement la vis "C" pour régler la hauteur de flamme minimale.

Conversion au gaz naturel :

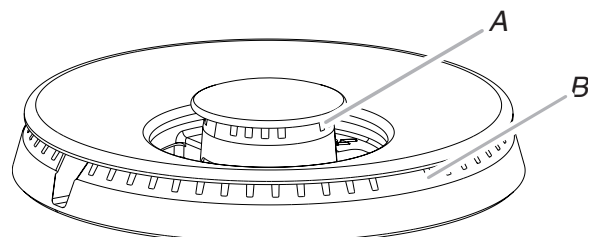
Serrer la vis "C" pour réduire la hauteur de la flamme. Desserrer la vis pour augmenter la hauteur de flamme. Voir la section "Achever le réglage des brûleurs".

4. Réinstaller le bouton de commande.
5. Tester la flamme en tournant le bouton de commande pour le faire passer de LO (basse) à HI (élevée) et observer les flammes pour chaque réglage.

Réglage d'un robinet double

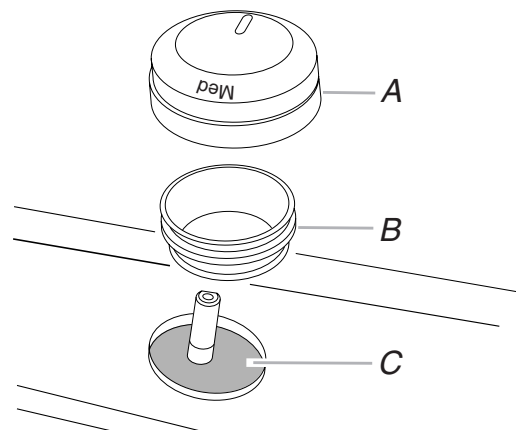
Réglage de la flamme de la couronne interne :

1. Régler la flamme de la couronne interne sur LO (réglage bas).



- A. Couronne interne
- B. Couronne externe

2. Ôter le bouton de commande.
3. Retirer l'oeillet en caoutchouc noir.
4. Utiliser une pince à bec effilé pour retirer le protecteur gris à l'intérieur de l'ouverture du robinet du brûleur.



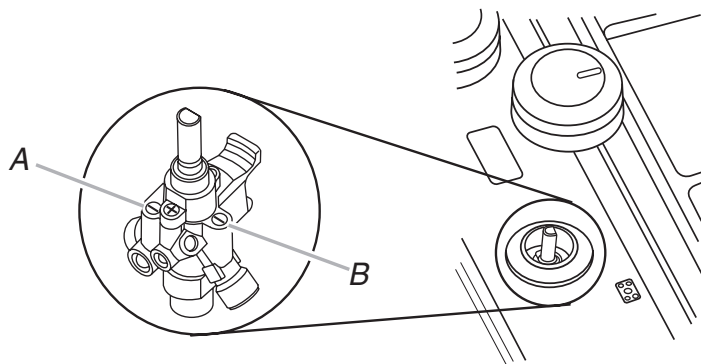
- A. Bouton de commande
- B. Oeillet en caoutchouc noir
- C. Protecteur gris

5. Conversion pour l'alimentation au propane :

Serrer complètement la vis "A" pour régler la hauteur de flamme minimale.

Conversion au gaz naturel :

Serrer la vis "A" pour réduire la hauteur de la flamme.
Desserrer la vis pour augmenter la hauteur de flamme. Voir la section "Achever le réglage des brûleurs".



A. Vis de réglage de la couronne interne
B. Vis de réglage de la couronne externe

6. Réinstaller le bouton de commande.

Réglage de la flamme de la couronne externe :

1. Régler la flamme de la couronne externe sur LO (réglage bas).

2. Ôter le bouton de commande.

3. Conversion pour l'alimentation au propane :

Serrer complètement la vis "B" pour régler la hauteur de flamme minimale.

Conversion au gaz naturel :

Serrer la vis "B" pour réduire la hauteur de la flamme.
Desserrer la vis pour augmenter la hauteur de flamme. Voir la section "Achever le réglage des brûleurs".

4. Réinstaller le protecteur gris. Enfoncer le protecteur en place à l'aide d'un tournevis.

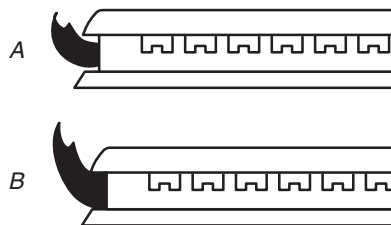
5. Réinstaller l'oeillet en caoutchouc noir.

6. Réinstaller le bouton de commande.

7. Tester la flamme en tournant le bouton de commande pour le faire passer de LO (basse) à HI (élevée) et observer les flammes pour chaque réglage.

Achever le réglage des brûleurs

1. Contrôler la taille et la forme des flammes sur chaque brûleur. Pour le réglage au débit thermique minimum, on doit observer des flammes stables bleues de 1/4" (0,64 cm).



2. Compléter l'étiquette de conversion; fixer l'étiquette sur le fond de la table de cuisson, à côté de la plaque signalétique. Ne pas recouvrir la plaque signalétique avec l'étiquette.

IMPORTANT : Placer les gicleurs à gaz dans le sachet de pièces en plastique et les conserver avec le sachet de documentation, pour pouvoir les réutiliser ultérieurement.

Lire la section "Brûleurs de surface scellés" dans le Guide d'utilisation et d'entretien fourni avec la table de cuisson.

Notes

