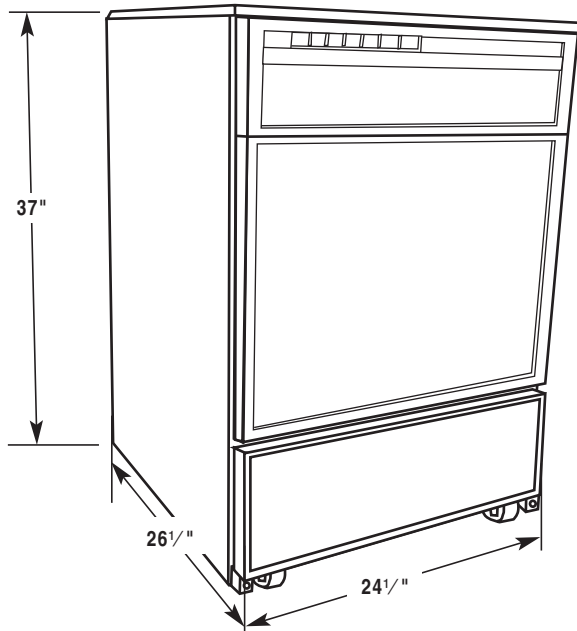




## UNDERCOUNTER DISHWASHER

### PRODUCT MODEL NUMBERS

WDP340PAF  
WDP350PAA  
WDP370PAH



### LOCATION REQUIREMENTS

Grounded electrical supply is required.

Sink or laundry tub that can drain water at a minimum carry-away capacity of 7 gal. (26 L) per minute

Top of sink or laundry tub that is at least 27" (68.6 cm) high and not higher than 48" (122 cm) from the bottom of dishwasher

Floor support for dishwasher weight of 180 lbs (81.6 kg).

Grounded electrical outlet

Hot water faucet or hot and cold single-spout water faucet within 30" (76.2 cm) of the back of dishwasher

20-120 psi (103-827 kPa) water pressure

### WATER SUPPLY REQUIREMENTS

A hot water line with 20-120 psi (138-862 kPa) water pressure can be verified by a licensed plumber.

120°F (49°C) water at dishwasher

### ELECTRICAL REQUIREMENTS

120-volt, 60 Hz, AC-only, 15- or 20- amp, fused electrical supply

Mating grounded electrical outlet

#### WE RECOMMEND:

A time-delay fuse or circuit breaker

A separate circuit