

Freestanding Gas Range Control Guide

FEATURE GUIDE

WARNING: To reduce the risk of fire, electric shock, or injury to persons, read the IMPORTANT SAFETY INSTRUCTIONS, located in your appliance's Owner's Manual, before operating this appliance.

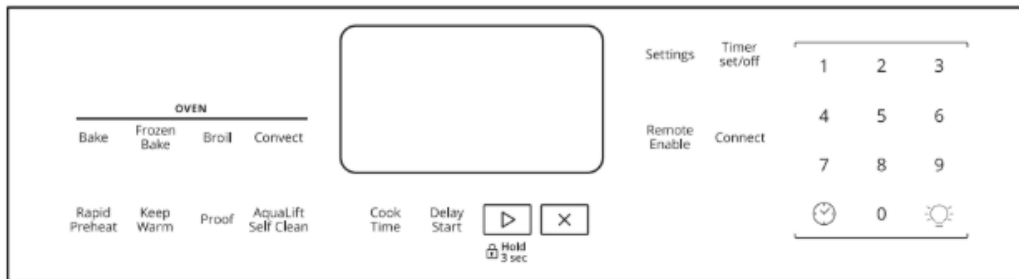
These instructions cover several models. Your model may have some or all of the items listed. Refer to this manual for more detailed instructions or the Frequently Asked Questions (FAQs) section of our website at www.whirlpool.com for more detailed instructions. In Canada, refer to the Customer Service section at www.whirlpool.ca.





⚠ WARNING

Food Poisoning Hazard

Do not let food sit for more than one hour before or after cooking.

Doing so can result in food poisoning or sickness.



KEYPAD	FEATURE	INSTRUCTIONS
 CLOCK	Clock	<p>The Clock can use a 12- or 24-hour cycle. See the “Electronic Oven Controls” section.</p> <ol style="list-style-type: none"> 1. Press the Clock keypad. 2. Press 1 for automatic setup or 2 for manual setup. 3. Press 3 for AM or 6 for PM. 4. Use the number keypad to set the time of day. 5. Press the Start keypad to save the setting.
 Oven Light	Oven cavity light	<p>The oven light is controlled by a keypad on the oven control panel. While the oven door is closed, press the Oven Light keypad to turn the light on and off. When the oven door is opened, the oven light will automatically come on.</p>
TIMER SET/OFF	Oven timer	<p>The timer can be set in hours or minutes up to 9 hours and 59 minutes.</p> <ol style="list-style-type: none"> 1. Press TIMER SET/OFF. 2. Press the number keypads to set the length of time in hr-hr-min-min. Leading zeros do not have to be entered. For example, for 2 minutes, enter 2. 3. Press TIMER SET/OFF to begin the countdown. If enabled, end-of-cycle tones will sound at end of countdown. 4. Press TIMER SET/OFF twice to cancel the timer and return to the time of day. Do not press the Cancel keypad because the oven will turn off. 5. If the timer is running, but not in the display, press TIMER SET/OFF to display the countdown for 5 seconds.
 Start	Cooking start/ Oven control lockout	<p>The Start keypad begins any oven function. If Start is not pressed within 2 minutes after pressing a keypad, the function is canceled and the time of day is displayed.</p> <p>To access Oven Control Lockout:</p> <ol style="list-style-type: none"> 1. Check that the oven is off. 2. Press and hold the Start keypad for 3 seconds. 3. A tone will sound and a lock will be displayed. 4. Repeat to unlock. No keypads will function with the controls locked.
 Cancel	Range function	<p>The Cancel keypad stops any oven function except the Clock and Timer.</p>

KEYPAD	FEATURE	INSTRUCTIONS
BAKE	Baking and roasting	<ol style="list-style-type: none"> 1. Press BAKE. 2. Press the number keypads to set the desired temperature. 3. Press the Start keypad. 4. To change the temperature, repeat steps 2 and 3. 5. Press the Cancel keypad when finished.
BROIL	Broiling	<ol style="list-style-type: none"> 1. Press BROIL. 2. Select the broiling temperature by pressing 1 – High, 2 – Med, or 3 – Low. 3. Press the Start keypad and allow the oven to preheat for 5 minutes. 4. To change the temperature, repeat steps 2 and 3. 5. Position the cookware in the oven and close the door. 6. Press the Cancel keypad when finished.
CONVECT	Convection baking	<ol style="list-style-type: none"> 1. Press CONVECT until the desired convection mode appears in the display. 2. Press the Start keypad. 3. Press the number keypads to set the desired temperature. 4. Press the Start keypad. 5. To change the temperature, repeat steps 3 and 4. 6. Press the Cancel keypad when finished.
FROZEN BAKE	Prepackaged food	<ol style="list-style-type: none"> 1. Position the food on a flat rack in the oven on rack position 4. See the “Positioning Racks and Bakeware” section. NOTE: Cook only one package of frozen food at a time when using Frozen Bake™ Technology. 2. Press FROZEN BAKE. 3. Press the number keypad to select the desired food option. 4. Press the number keypads to set the temperature as recommended on the food packaging. 5. Press COOK TIME. 6. Press the number keypads to set the maximum cook time as recommended on the food packaging. 7. Press the Start keypad. The range will calculate the best cook time based on the current oven temperature. NOTE: The cook time that appears in the display is the estimated required cook time as calculated by the oven control. It may be different than the time you entered. A beep will alert you to check the food’s doneness with at least 2 minutes remaining on the timer. Follow the prompts on the display to select more time if desired. 8. At the end of the cook time, a beep will alert you to check the food’s doneness. Follow the prompts on the display to select more time if desired. Unless more time is selected, the bake element turns off. 9. Press the Cancel keypad when finished.
PROOF	Proofing bread	<ol style="list-style-type: none"> 1. Place prepared dough in oven. Press PROOF. 2. Press the Start keypad. 3. Let the dough rise until nearly doubled in size. Proofing time may vary depending on dough type and quantity. 4. Press the Cancel keypad when finished proofing. Refer to the “Proofing Bread” section for more information.
KEEP WARM	Hold warm	<p>Food must be at serving temperature before placing it in the warmed oven.</p> <ol style="list-style-type: none"> 1. Press KEEP WARM. 2. Set the desired temperature between 145°F and 190°F (63°C and 88°C) using the number keypads. The default temperature is 170°F (77°C). 3. Press the Start keypad. 4. To change the temperature, repeat steps 2 and 3. 5. Press the Cancel keypad when finished.
DELAY START	Delayed start	<p>Delay Start is used to enter the starting time for an oven function with a delayed start. Delay Start should not be used for foods such as breads and cakes because they may not bake properly.</p> <p>To set a Timed Cook or a Delayed Timed Cook, see the “Cook Time” section.</p>
COOK TIME	Cook time	<p>Cook Time allows the oven to be set to turn on at a certain time of day, cook for a set length of time, and/or shut off automatically. Delay start should not be used for foods such as breads and cakes because they may not bake properly.</p> <p>To set a Cook Time or a Delayed Cook Time, see the “Cook Time” section.</p>

KEYPAD	FEATURE	INSTRUCTIONS
AQUALIFT SELF CLEAN	Self-Clean cycle	See the "Self-Cleaning Cycle" section in the Owner's Manual.
REMOTE ENABLE	Enable remote app control	Press REMOTE ENABLE to enable the ability to utilize the Whirlpool® app.
CONNECT	Connect to Wi-Fi	Press and hold CONNECT while your router's WPS indicator light is blinking to connects your range to your Wi-Fi network. See the Connectivity Handout for more detailed instructions.

AquaLift® Self-Cleaning Technology



AquaLift® Self-Cleaning Technology is a first-of-its-kind cleaning solution designed to minimize the time, temperature, and odors that ordinarily come with traditional self-cleaning methods. With AquaLift® Self-Cleaning Technology, an innovative coating on the interior of the oven is activated with heat and water to release baked-on soil. To use AquaLift® Self-Cleaning Technology, simply wipe out loose debris, pour water into the oven bottom, and run the AquaLift® Self-Cleaning cycle. When the cycle finishes in under 1 hour at a lower temperature than in traditional self-cleaning methods, just wipe out the remaining water and loose debris. See the "Clean Cycle" section in the Owner's Manual for more detailed instructions. For additional information, frequently asked questions and videos on using AquaLift® Self-Cleaning Technology, visit our website at <http://whirlpoolcorp.com/aqualift>.

Preheating

When beginning a Bake, Convection Bake, or Convection Roast cycle, the oven will begin preheating after Start is pressed. The oven will take approximately 12 to 15 minutes to reach 350°F (177°C) with all of the oven racks provided with your oven inside the oven cavity. Higher temperatures will take longer to preheat. The preheat cycle rapidly increases the oven temperature. The actual oven temperature will go above your set temperature to offset the heat lost when your oven door is opened to insert food. This ensures that when you place your food in the oven, the oven will begin at the proper temperature. Insert your food when the preheat tone sounds. Do not open the door during preheat before the tone sounds.

Surface Temperatures

When the range is in use, all range surfaces may become hot, such as the knobs and oven door.

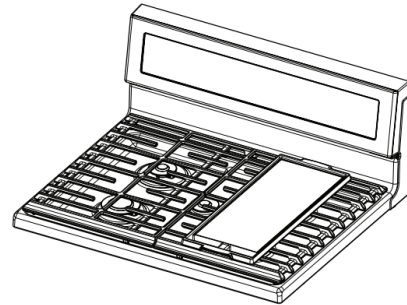
Baking, Warming or Storage Drawer

When the oven is in use, the drawer may become hot. Do not store plastics, cloth, or other items that could melt or burn in the drawer.

Oven Vent

The oven vent releases hot air and moisture from the oven, and should not be blocked or covered. Do not set plastics, paper, or other items that could melt or burn near the oven vent.

Griddle



Griddle installed on right side of cooktop

To Use the Griddle:

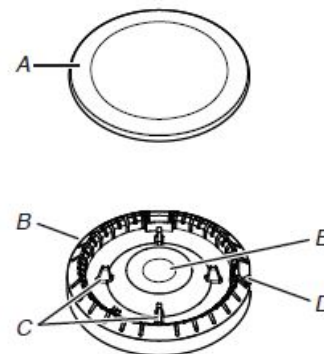
1. Locate the griddle on the right side grate as shown. The locating feet on the bottom of the griddle will engage the grate tines to keep the griddle from sliding.
2. Before each use, brush on a thin layer of cooking oil to keep food from sticking. Cooking sprays may leave a sticky residue on the griddle that is hard to remove.
3. Preheat the griddle for 5 minutes. Preheating the griddle slowly will ensure even heat distribution and will avoid warping the griddle.
4. For preheating and cooking, set the front burner to the lowest heat setting and the rear burner to Medium-High heat for best performance.

NOTE: The griddle may also be used on the left side grate. For best results, the rear burner setting should be set to Medium-Low or Medium, and the front burner setting should be set to Low.

To Clean the Griddle:

1. Let the griddle cool, and then empty the drip tray
2. See the "General Cleaning" section of your Owner's Manual for cleaning instructions.
3. Store griddle in a cool dry place.

Sealed Surface Burners



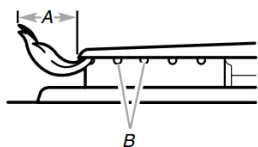
- A. Burner cap
- B. Burner base
- C. Alignment pins
- D. Igniter
- E. Gas tube opening

IMPORTANT: Do not obstruct the flow of combustion and ventilation air around the burner grate edges.

Burner cap: Always keep the burner cap in place when using a surface burner. A clean burner cap will help avoid poor ignition and uneven flames. Always clean the burner cap after a spillover and routinely remove and clean the caps according to the "General Cleaning" section.

Alignment: Be sure to align the gas tube opening in the burner base with the orifice holder on the cooktop and the igniter electrode with the notch in the burner base.

Gas tube opening: Gas must flow freely throughout the gas tube opening for the burner to light properly. Keep this area free of soil, and do not allow spills, food, cleaning agents, or any other material to enter the gas tube opening. Keep spillovers out of the gas tube by always using a burner cap.



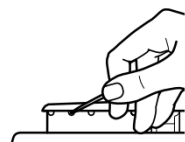
A. 1-1 1/2" (2.5-3.8 cm) B. Burner ports

Burner ports Check burner flames occasionally for proper size and shape as shown in the previous illustration. A good flame is blue in color, not yellow. Keep this area free of soil and do not allow spills, food, cleaning agents, or any other material to enter the burner ports.

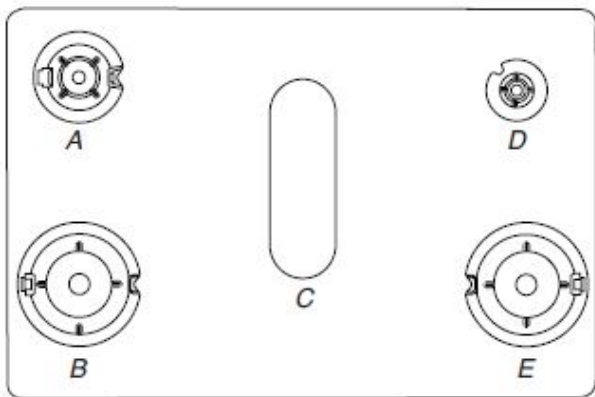
To Clean:

IMPORTANT: Before cleaning, make sure all controls are off and the oven and cooktop are cool. Do not use oven cleaners, bleach, or rust removers.

1. Remove the burner cap from the burner base and clean according to the "General Cleaning" section in the Owner's Manual.
2. Clean the gas tube opening with a damp cloth.
3. Clean clogged burner ports with a straight pin as shown. Do not enlarge or distort the port. Do not use a wooden toothpick. If the burner needs to be adjusted, contact a trained repair specialist.

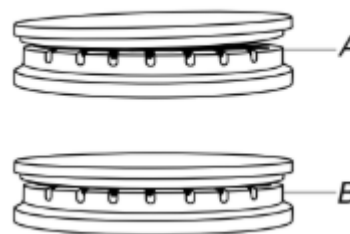


4. Replace the burner base. Each round burner base is marked with a letter indicating the burner size. See the following illustration for burner positions.



A. Medium (Semi Rapid) D. Small (Auxiliary)
 B. Large (Ultra Rapid) E. Large (Ultra Rapid)
 C. Oval (OV)

5. Replace the burner cap, making sure the alignment pins are properly aligned with the burner cap.



A. Incorrect
 B. Correct

6. Place the burner caps on the appropriate burner bases.

IMPORTANT: The bottom of the small and medium caps are different. Do not put the wrong size burner cap on the burner base.



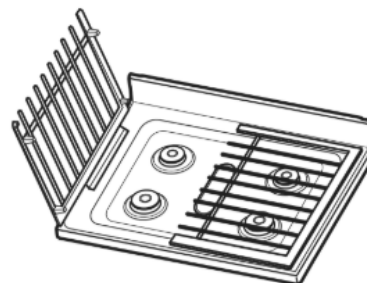
7. Turn on the burner. If the burner does not light, check cap alignment. If the burner still does not light, do not service the sealed burner yourself. Contact a trained repair specialist.

EZ-2-Lift™ Hinged Cast Iron Grates

The grates must be properly positioned before cooking. In the proper position, the grates should be flush and level. Improper installation of the grates may result in chipping or scratching of the cooktop.

Your cooktop comes with hinged grates for easier cleaning. The grates pivot to the side for easy access under the grates.

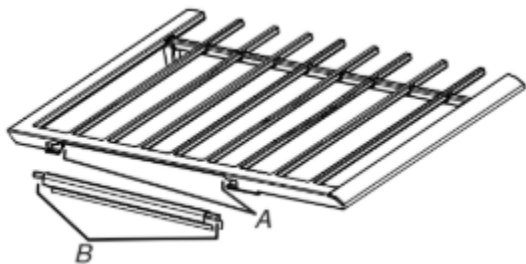
The grates will stop once they are moved to their vertical (fully open) position. A 20" (50.8 cm) minimum clearance from the countertop to the bottom of the upper cabinets/appliances is needed to fully open the grates.



Be sure to return the grates to their normal (down) position once cleaning is complete.

The grates are removable for cleaning.

To attach the grates to their hinges, insert the grate slot over the hinge pin on the side of the cooktop. Be sure to keep the grate angled above the cooktop to avoid scratching the cooktop until the grate is seated on the hinge pin. Then position the grate down onto the cooktop.



A. Grate slot
B. Hinge pin

Although the burner grates are durable, they will gradually lose their shine and/or discolor due to the high temperatures of the gas flame.

Cookware

IMPORTANT: Do not leave empty cookware on a hot surface cooking area, element or surface burner.

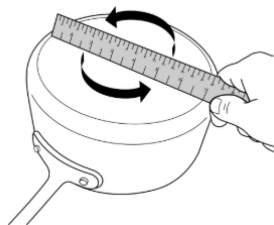
Ideal cookware should have a flat bottom, straight sides and a well-fitting lid, and the material should be of medium-to-heavy thickness.

Rough finishes may scratch the cooktop or grates. Aluminum and copper may be used as a core or base in cookware. However, when used as a base they can leave permanent marks on the grates.

Cookware material is a factor in how quickly and evenly heat is transferred, which affects cooking results. A nonstick finish has the same characteristics as its base material. For example, aluminum cookware with a nonstick finish will take on the properties of aluminum.

Cookware with nonstick surfaces should not be used under the broiler.

Check for flatness by placing the straight edge of a ruler across the bottom of the cookware. While you rotate the ruler, no space or light should be visible between it and the cookware.



Use the following chart as a guide for cookware material characteristics.

Cookware	Characteristics
Aluminum	<ul style="list-style-type: none"> Heats quickly and evenly. Suitable for all types of cooking. Medium or heavy thickness is best for most cooking tasks. May leave aluminum residues, which may be diminished if cleaned immediately after cooking.
Cast iron	<ul style="list-style-type: none"> Heats slowly and evenly. Good for browning and frying. Maintains heat for slow cooking. Rough edges or burrs may scratch the cooktop.
Ceramic or Ceramic glass	<ul style="list-style-type: none"> Follow manufacturer's instructions. Heats slowly, but unevenly. Ideal results on low to medium heat settings. May scratch the cooktop.
Copper	<ul style="list-style-type: none"> Heats very quickly and evenly. May leave copper residues, which may be diminished if cleaned immediately after cooking. Can leave a permanent stain or bond to the cooktop if overheated.
Earthenware	<ul style="list-style-type: none"> Follow manufacturer's instructions. Use on low heat settings. May scratch the cooktop.
Porcelain enamel-on-steel or cast iron	<ul style="list-style-type: none"> See stainless steel or cast iron. Porcelain enamel bakeware without the metal base may bond to the cooktop if overheated.
Stainless steel	<ul style="list-style-type: none"> Heats quickly, but unevenly. A core or base of aluminum or copper on stainless steel provides even heating.

For best results, the cookware should be centered above the burner with the bottom sitting level on the grate. The flame should be adjusted so that it does not extend up the sides of the pan.



Home Canning

When canning for long periods, alternate the use of surface burners between batches. This allows time for the most recently used areas to cool.

- Center the canner on the grate above the burner.
- Do not place canner on 2 surface burners at the same time.
- For more information, contact your local agricultural extension office or refer to published home canning guides. Companies that manufacture home canning products can also offer assistance.

OVEN USE

The normal operation of the range will include several noises that may be heard each time the Bake or Broil burners ignite during the cooking cycle:

- Gas valves may make a “popping” sound when opening or closing.
- Igniters will “click” several times until a flame is sensed.
- A “poof” sound is heard when a bake or broil burner ignites.

Odors and smoke are normal when the oven is used the first few times or when it is heavily soiled.

IMPORTANT: The health of some birds is extremely sensitive to the fumes given off. Exposure to the fumes may result in death to certain birds. Always move birds to another closed and well-ventilated room.

NOTE: On some models: The convection fan will shut off when the oven door is opened. If the oven door remains open for too long, the heating elements will shut off until the oven door is closed. All timers, including any active Cook Time or Timed Cook functions, will continue to count down.

Electronic Oven Controls

Control Display

The display will flash when powered up or after a power loss. Press the Cancel keypad to clear. When the oven is not in use, the time of day is displayed. If the range is in Energy Save mode, the display will be blank when not in use.

Tones

Tones are audible signals, indicating the following:

One Tone

- Valid keypad press
- Oven is preheated (long tone)
- Function has been entered.
- Reminder (on some models), repeating each minute after the end-of-cycle tones

Three Tones

- Invalid keypad press

Four Tones

- End of cycle

Use the Settings key to change the tone settings.

Energy Save

The Energy Save mode puts the range into Sleep mode and reduces energy consumption.

To Activate the Energy Save Mode:

1. Press SETTINGS until “Energy saver on.” appears on the display.
2. Press 1 to enable.

To Deactivate the Energy Save Mode:

1. Press SETTINGS until “Energy saver off.” appears on the display.
2. Press 1 to disable.

Clock

The Clock can use a 12- or 24-hour cycle.

1. Press the Clock keypad.
2. Press 1 for automatic setup or 2 for manual setup.
3. Press 3 for AM or 6 for PM.
4. Use the number keypad to set the time of day.
5. Press the Start keypad to save the setting.

Settings

Many features of the oven control can be adjusted to meet your personal needs. These changes are made using the Settings keypad.

Use Settings to scroll through the features that can be changed. Each press of the Settings will advance the display to the next setting. After selecting the feature to be changed, the control will prompt you for the required input. Press the Start or Cancel keypads to exit and display the time of day. Details of all of the feature changes are explained in the following sections.

Press the Cancel keypad to exit Settings.

Fahrenheit and Celsius

The temperature is preset to Fahrenheit but can be changed to Celsius.

To change:

1. Press SETTINGS until “TEMP UNIT” is displayed.
2. The current setting will be displayed.
3. Press 1 to adjust the setting.
4. Press the Start or Cancel keypads to exit and display the time of day.

Audible Tones Disable

Turns off all tones, including the end-of-cycle tone and keypress tones. Reminder tones are still active when all tones are disabled.

1. Press SETTINGS until “SOUND” is displayed.
2. The current setting will be displayed.
3. Press 1 to adjust the setting.
4. Press the Start or Cancel keypads to exit and display the time of day.

Sound Volume

Sets the volume of the tone to either high or low.

1. Press SETTINGS until “SOUND VOLUME” is displayed.
2. The current setting will be displayed.
3. Press 1 to adjust the setting.
4. Press the Start or Cancel keypads to exit and display the time of day.

End-of-Cycle Tone

Activates or turns off the tones that sound at the end of a cycle.

1. Press SETTINGS until “END TONE” is displayed.
2. The current setting will be displayed.
3. Press 1 to adjust the setting.
4. Press the Start or Cancel keypads to exit and display the time of day.

Keypress Tones

Activates or turns off the tones when a keypad is pressed.

1. Press SETTINGS until “KEYPRESS TONE” is displayed.
2. The current setting will be displayed.
3. Press 1 to adjust the setting.
4. Press the Start or Cancel keypads to exit and display the time of day.

Reminder Tones Disable

Turns off the short repeating tone that sounds every 1 minute after the end-of-cycle tones.

1. Press SETTINGS until “REMINDER TONE” is displayed.
2. The current setting will be displayed.
3. Press 1 to adjust the setting.
4. Press the Start or Cancel keypads to exit and display the time of day.

12/24 Hour Clock

1. Press SETTINGS until "12/24 HOUR" is displayed.
2. The current setting will be displayed.
3. Press 1 to adjust the setting.
4. Press the Start or Cancel keypads to exit and display the time of day.

Demo Mode

IMPORTANT: This feature is intended for use on the sales floor with 120 V power connection and permits the control features to be demonstrated without the oven turning on. If this feature is activated, the oven will not work.

1. Press SETTINGS until "DEMO MODE" is displayed.
2. The current setting will be displayed.
3. Press 1 to adjust the setting.
4. Press the Start or Cancel keypads to exit and display the time of day.

Sabbath Mode

The Sabbath mode sets the oven to remain on in a bake setting until turned off.

When the Sabbath mode is set, only the Bake cycle will operate. All other cooking and cleaning cycles are disabled. No tones will sound and the displays will not indicate temperature changes.

When the oven door is opened or closed, the oven light will not turn on or off and the heating elements will not turn on or off immediately.

To Enable Sabbath Mode Capability (One Time Only):

1. Press SETTINGS until "SABBATH" is displayed.
2. The current setting will be displayed.
3. Press 1 to adjust the setting.
4. Press the Start or Cancel keypads to exit and display the time of day.

12-Hour Shutoff

The oven control is set to automatically shut off the oven 12 hours after the oven initiates a cook or clean function. This will not interfere with any timed or delay cook functions.

1. Press SETTINGS until "12Hr AUTO_OFF" is displayed.
2. The current setting will be displayed.
3. Press 1 to adjust the setting.
4. Press the Start or Cancel keypads to exit and display the time of day.

Languages: Scrolling Display Text

Language options are English, Spanish, and French.

1. Press SETTINGS until "LANGUAGE" is displayed.
2. The current setting will be displayed.
3. Press 1 or 2 to select the desired language.
4. Press the Start or Cancel keypads to exit and display the time of day.

Oven Temperature Offset Control

IMPORTANT: Do not use a thermometer to measure oven temperature. Elements will cycle on and off as needed to provide consistent temperature but may run slightly hot or cool at any point in time due to this cycling. Most thermometers are slow to react to temperature change and will not provide an accurate reading due to this cycling.

The oven provides accurate temperatures; however, it may cook faster or slower than your previous oven, so the temperature can be adjusted to personalize it for your cooking needs. It can be changed to Fahrenheit or Celsius.

To Adjust Oven Temperature:

1. Press SETTINGS until "TEMP CALIB" is displayed.
2. On some models, press 1 to adjust the drawer temperature calibration. Press the Start keypad, wait 10 seconds for the display to change, and then continue with Step 3.

OR

Press the Start keypad to adjust the oven temperature calibration. Wait 10 seconds for the display to change, and then continue with Step 3.

3. Press 3 to increase the temperature in 5°F (3°C) increments, or press 6 to decrease the temperature in 5°F (3°C) increments. The offset range is from -30°F to +30°F (-18°C to +18°C).
4. Press the Start or Cancel keypads to exit and display the time of day.

Sabbath Mode

The Sabbath Mode sets the oven to remain on in a bake setting until turned off.

When the Sabbath Mode is set, only the Bake cycle will operate. All other cooking and cleaning cycles are disabled. No tones will sound, and the displays will not indicate temperature changes.

When the oven door is opened or closed, the oven light will not turn on or off and the heating elements will not turn on or off immediately.

To Enable Sabbath Mode Capability (One Time Only):

1. Press SETTINGS until "SABBATH" is displayed. "OFF. Press (1) for On" will scroll in the display.
2. Press 1. "ON. Press (1) for Off" will scroll in the display. Sabbath mode can be activated for baking.
3. Press the Start or Cancel keypads to exit and display the time of day.

NOTE: To disable Sabbath Mode, repeat steps 1 through 3 to change the status from "SABBATH ON" to "SABBATH OFF."

To Activate Sabbath Mode:

1. Press BAKE.
2. Press the number keypad to set a temperature other than 350°F (177°C).
3. Press the Start keypad.
For timed cooking in Sabbath mode, press COOK TIME and then the number keypads to set the desired cook time. Press the Start keypad.
4. Press SETTINGS. Then press 7. "Sab" will appear in the display.

To Adjust Temperature (When Sabbath Mode is Running):

1. Press the number keypad as instructed by the scrolling text to select the new temperature.

NOTE: The temperature adjustment will not appear on the display, and no tones will sound. The scrolling text will be shown on the display as it was before the keypad was pressed.

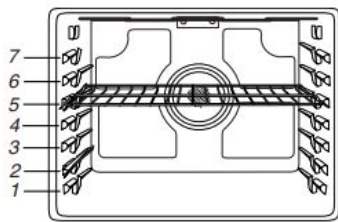
2. Press the Start keypad.

To Deactivate Sabbath Mode:

Press the Settings keypad and then press 7 to return to regular baking, or press the Cancel keypad to turn off the range.

Positioning Racks and Bakeware

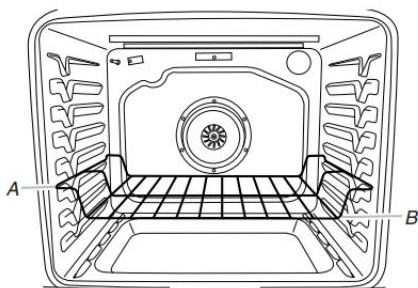
Use the following illustrations and chart as a guide.



The oven has seven positions for a flat rack, as shown in the previous illustration and the following table.

Flat Rack Position	Type of Food
7	Broiling/searing meats, hamburgers, steaks
6	Broiled meats, poultry, fish
3 or 4	Most baked goods, casseroles, frozen foods
2	Roasted meats
1	Large roasts or poultry

IMPORTANT: If your model has a Max Capacity Oven Rack, the recessed ends must be placed in the rack position above the desired position of the food. See the following illustration.



A. Ends of rack in position 3
B. Food in position 2

IMPORTANT: These rack positions are for flat racks. If a Max Capacity Oven Rack is used, the rack position must be adjusted as shown in the previous figure.

Bakeware

To cook food evenly, hot air must be able to circulate. Allow 2" (5 cm) of space around bakeware and oven walls. Make sure that no bakeware piece is directly over another.

Multiple Rack Cooking

Two-rack (non-convection): Use rack positions 2 and 5 or 3 and 6.

Two-rack (convection): Use rack positions 2 and 5 or 3 and 6.

Three-rack (convection): Use rack positions 2 and 7 and a Max Capacity Oven Rack in rack position 5.

Baking and Roasting

Temperature Management System

The Temperature Management System electronically regulates the oven heat levels during preheat and bake to maintain a precise temperature range for optimal cooking results. The bake and broil elements or burners cycle on and off in intervals. On convection range models, the fan will run while preheating and may be cycled on and off for short intervals during bake to provide the best results. This feature is automatically activated when the oven is in use.

Before baking and roasting, position racks according to the "Positioning Racks and Bakeware" section. When roasting, it is not necessary to wait for the oven preheat cycle to end before putting food in unless it is recommended in the recipe.

Preheating

When beginning a Bake, Convection Bake, or Convection Roast cycle, the oven will begin preheating after Start is pressed. The oven will take approximately 12 to 15 minutes to reach 350°F (177°C) with all of the oven racks provided with your oven inside the oven cavity. Higher temperatures will take longer to preheat. The preheat cycle rapidly increases the oven temperature. The actual oven temperature will go above your set temperature to offset the heat lost when your oven door is opened to insert food. This ensures that when you place your food in the oven, the oven will begin at the proper temperature. Insert your food when the preheat tone sounds. Do not open the door during preheat before the tone sounds.

Rapid Preheat

Rapid Preheat can be used to shorten the preheating time. Only one standard flat oven rack should be in the oven during Rapid Preheat. Extra racks should be removed prior to starting Rapid Preheat. The preheating cycle should be completed before placing food in the oven. When the Rapid Preheat cycle is complete, the oven starts a normal Bake cycle.

IMPORTANT: Rapid Preheat should be used only for one-rack baking.

Oven Temperature

While in use, the oven elements will cycle on and off as needed to maintain a consistent temperature, but they may run slightly hot or cool at any point in time due to this cycling. Opening the oven door while in use will release the hot air and cool the oven which could impact the cooking time and performance. It is recommended to use the oven light to monitor cooking progress.

NOTE: On models with convection, the convection fan may run in the non-convection bake mode to improve oven performance.

Frozen Bake™

Frozen Bake™ Technology automatically adjusts the manufacturer's bake time by combining preheating and baking, to deliver great packaged frozen food results without the wait. There are six programmed food options to choose from: Pizza, Lasagna, Nuggets, Fries, Pie, and Meal. The Frozen Bake™ cycles have been customized to work only with these foods. When using Frozen Bake™ Technology, it is important that you follow all manufacturer's instructions including venting, covering, stirring or placing on a baking sheet to ensure a good result. When cooking frozen meals, only cook items that provide instructions for cooking in a conventional oven. Place your dish in the center of the rack and select one of the rack positions recommended for Frozen Bake in the "Positioning Racks and Bakeware" section and bake only one package or pan at a time. Use the temperature and maximum bake time from the package.

A tone will alert you to check the food for doneness before the cook time is complete and again at the end of the cook time. The display will prompt you to add additional cook time if desired or needed at end the cycle.

Broiling

When broiling, preheat the oven for 5 minutes before putting food in, unless recommended otherwise in the recipe. Position food on grid in a broiler pan, and then place it in the center of the oven rack.

IMPORTANT: Close the door to ensure proper broiling temperature.

Changing the temperature when broiling allows more precise control when cooking. The lower the broil setting, the slower the cooking. Thicker cuts and unevenly shaped pieces of meat, fish, and poultry may cook better at lower broil settings. Use racks 6 or 7 for broiling. Refer to the "Positioning Racks and Bakeware" section for more information.

- For best results, use a broiler pan and grid. It is designed to drain juices and help avoid spatter and smoke.

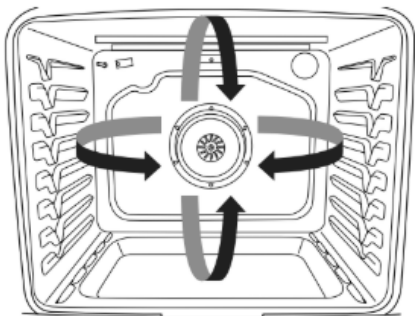
If you would like to purchase a broiler pan, one may be ordered. See the Quick Start Guide for contact information.

NOTE: Odors and smoke are normal the first few times the oven is used or if the oven is heavily soiled.

Convection Cooking

Convection (Fan) cooking cycles the bake burner on and off in intervals while the fan circulates the hot air. This movement of hot air helps maintain a consistent temperature throughout the oven, cooking foods more evenly, crisping surfaces while sealing in moisture, and yielding crustier breads.

IMPORTANT: With convection cooking, most foods can be cooked at a lower temperature or at a shorter time. This range automatically reduces the set oven temperature by 25°F (15°C) for convection cooking.



During convection cooking, the bake and broil burners and convection element cycle on and off in intervals to maintain the oven temperature, while the fan circulates the hot air.

NOTE: The convection fan will turn on approximately 5 minutes into any convection cycle.

If the oven door is opened during convection cooking, the fan will turn off immediately. It will come back on when the oven door is closed.

NOTE: The oven door must be closed for convection broiling.

Convection (True) and Convection (Fan)

When convection baking, broiling or roasting, enter your normal baking temperature. The control will automatically reduce the set oven temperature by 25°F (15°C).

Convect Options

Convect Bake - Multiple-rack baking or cookies, biscuits, breads, casseroles, tarts, tortes, cakes.

Convect Roast - Whole chicken or turkey, vegetables, pork roasts, beef roasts.

Convect Broil - Thicker cuts or unevenly shaped pieces of meat, fish or poultry.

Proofing Bread

Proofing bread prepares the dough for baking by activating the yeast. Follow the recipe directions as a guide. Proof should be used for fresh dough, thawed dough, and for the first and second rise.

To Proof:

Before first proofing, place the dough in a lightly greased bowl and cover loosely with wax paper, coated with shortening. Place on rack guide 2 and close the oven door.

NOTE: If the temperature of the oven is greater than 120°F (49°C), "Oven Cooling" will be displayed until the temperature is less than 120°F (49°C).

1. Press PROOF.
2. Press the Start keypad.

Let the dough rise until nearly doubled in size. Proofing time may vary depending on dough type and quantity.

3. Press the Cancel keypad when finished proofing.

Before second proofing, shape the dough, place it in baking pan (s), and cover loosely. Follow the same placement and control steps above. Before baking, remove the cover.

NOTE: If the oven temperature is greater than 120°F (49°C), the display will indicate "Oven Cooling" until the temperature is below 120°F (49°C).

Cook Time (on some models)

To Set a Timed Cook:

1. Press BAKE or BROIL, or press CONVECT until the desired convection mode appears on the display.
2. Press the number keypads to enter a temperature other than the one displayed.
3. Press COOK TIME. The cook time oven indicator light will light up.
4. Press the number keypads to enter the length of time to cook.
5. Press the Start keypad. The display will count down the time. When the time ends, the oven will shut off automatically.
6. Press the Cancel keypad to clear the display.

To Set a Delayed Timed Cook:

1. Press BAKE or BROIL, or press CONVECT until the desired convection mode appears on the display.
2. Press the number keypads to enter a temperature other than the one displayed.
3. Press COOK TIME. The cook time oven indicator light will light up. Press number keypads to enter the length of time to cook.
4. Press DELAY START.
5. Press the number keypads to enter the number of hours and/or minutes you want to delay the start time.
6. Press the Start keypad.

When the start time is reached, the oven will automatically turn on. The temperature and/or time settings can be changed anytime after pressing the Start keypad by repeating steps 2 through 7. When the set cook time ends, the oven will shut off automatically.

7. Press the Cancel keypad to clear the display.

Guide des commandes du cuisinière à gaz autoportante

GUIDE DES CARACTÉRISTIQUES

AVERTISSEMENT : Pour réduire le risque d'incendie, de décharge électrique ou de blessures, lire les INSTRUCTIONS IMPORTANTES DE SÉCURITÉ du guide d'utilisation de votre appareil avant de faire fonctionner cet appareil.

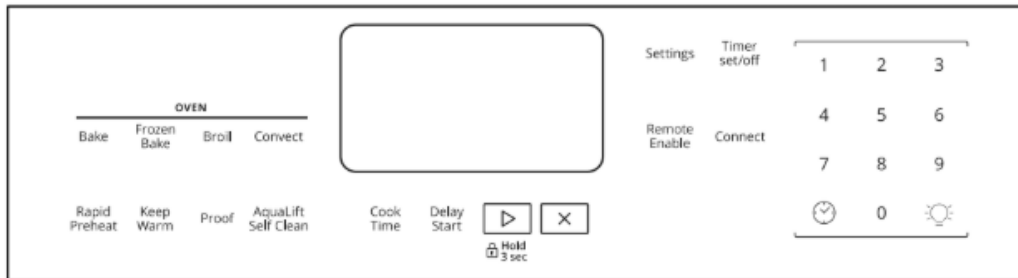
Ces instructions concernent plusieurs modèles. Le modèle que vous avez peut comporter toutes les caractéristiques énumérées ou seulement certaines d'entre elles. Se reporter à ces instructions ou à la section d'aide sur les produits à l'adresse www.whirlpool.ca pour des instructions plus détaillées.


⚠ AVERTISSEMENT


Risque d'empoisonnement alimentaire

Ne pas laisser des aliments dans un four plus d'une heure avant ou après la cuisson.

Le non-respect de cette instruction peut causer un empoisonnement alimentaire ou une maladie.



TOUCHE	FONCTION	INSTRUCTIONS
Horloge	Horloge	<p>Cette horloge est réglable sur 12 ou 24 heures. Voir la section "Commandes électroniques du four".</p> <ol style="list-style-type: none"> 1. Appuyer sur la touche horloge. 2. Appuyez sur 1 pour automatique ou 2 pour manuel. 3. Appuyer sur 3 pour AM (heure du matin) ou 6 pour PM (heure de l'après-midi). 4. Appuyer sur les touches numériques pour régler l'heure. 5. Appuyer sur la touche mise en marche pour mémoriser le réglage.
Lampe du four 	Lampe de la cavité du four	<p>L'éclairage du four est commandé par une touche située sur le tableau de commande du four. La porte du four étant fermée, appuyer sur la touche symbolisant la lampe du four pour allumer ou éteindre la lampe. La lampe du four s'allume automatiquement à l'ouverture de la porte.</p>
TIMER SET/ OFF (réglage/arrêt de la minuterie)	Minuterie du four	<p>La minuterie peut être réglée en heures ou en minutes jusqu'à concurrence de 9 heures et 59 minutes.</p> <ol style="list-style-type: none"> 1. Appuyer sur TIMER SET/OFF (réglage/arrêt de la minuterie). 2. Utiliser les touches numériques pour régler la durée au format hr-min-min. Il n'est pas nécessaire de saisir les zéros de gauche. Par exemple, pour saisir 2 minutes, appuyer sur 2. 3. Appuyer sur TIMER SET/OFF (réglage/arrêt de la minuterie) pour commencer le compte à rebours. S'il est activé, un signal sonore retentit à la fin du compte à rebours. 4. Appuyer sur TIMER SET/OFF (réglage/arrêt de la minuterie) pour annuler la minuterie et revenir à l'heure du jour. Ne pas appuyer sur la touche annulation, sinon le four s'éteindra. 5. Si la minuterie est activée mais n'apparaît pas sur l'affichage, appuyer sur TIMER SET/OFF (réglage/arrêt de la minuterie) pour faire apparaître le compte à rebours pendant 5 secondes.

TOUCHE	FONCTION	INSTRUCTIONS
Mise en marche/ Verrouillage des commandes du four 	Démarrage de la cuisson	<p>La touche mise en marche met en marche n'importe quelle fonction du four. Si, après avoir appuyé sur une touche, on n'appuie pas sur la touche mise en marche dans les 2 minutes qui suivent, la fonction est annulée et l'heure s'affiche.</p> <p>Verrouillage des commandes du four :</p> <ol style="list-style-type: none"> 1. Vérifier que le four est éteint. 2. Appuyer pendant 3 secondes sur la touche mise en marche [appuyer pendant 3 s]. 3. Un signal sonore retentit et l'avertissement "Control Locked" (commandes verrouillées) défile, puis "Locked" (verrouillé) s'affiche. 4. Répéter l'opération pour déverrouiller. Aucune touche ne fonctionne lorsque les commandes sont verrouillées. Les fonctions de la table de cuisson ne sont pas affectées par le verrouillage des commandes du four.
Annulation	Fonction de la cuisinière	La touche annulation désactive toutes les fonctions du four à l'exception de l'horloge et de la minuterie.
BAKE (cuisson au four)	Cuisson au four et rôtissage	<ol style="list-style-type: none"> 1. Appuyer sur BAKE (cuisson au four). 2. Utiliser les touches numériques pour régler la température souhaitée. 3. Appuyer sur la touche mise en marche. 4. Pour changer la température, répéter les étapes 2 et 3. 5. Appuyer sur la touche annulation après avoir terminé.
BROIL (cuisson au grill)	Cuisson au grill	<ol style="list-style-type: none"> 1. Appuyer sur BROIL (cuisson au grill). 2. Sélectionner la température de cuisson au grill en appuyant sur 1 – élevée, 2 – moyenne, ou 3 – basse. 3. Appuyer sur la touche mise en marche et laisser le four préchauffer pendant 5 minutes. 4. Pour changer la température, répéter les étapes 2 et 3. 5. Placer le plat dans le four et fermer la porte. 6. Appuyer sur la touche annulation après avoir terminé.
CONVECT (convection)	Cuisson par convection	<ol style="list-style-type: none"> 1. Appuyer sur CONVECT (convection) jusqu'à afficher à l'écran le mode de convection souhaité. 2. Appuyer sur la touche mise en marche. 3. Utiliser les touches numériques pour régler la température souhaitée. 4. Appuyer sur la touche mise en marche. 5. Pour modifier la température, répéter les étapes 3 et 4. 6. Appuyer sur la touche annulation après avoir terminé.
FROZEN BAKE (cuisson de plat surgelé)	Plats préparés surgelés	<ol style="list-style-type: none"> 1. Placer le plat sur une grille plate du four à la position 4. Voir la section "Positionnement des grilles et ustensiles de cuisson au four". REMARQUE : Cuire un seul plat surgelé à la fois lorsque la technologie Frozen Bake™ Technology est utilisée. 2. Appuyer sur FROZEN BAKE (cuisson de plat surgelé). 3. Utiliser les touches numériques pour sélectionner le plat souhaité. 4. Utiliser les touches numériques pour régler la température recommandée sur l'emballage du plat. 5. Appuyer sur COOK TIME (durée de cuisson). 6. Utiliser les touches numériques pour régler la durée de cuisson maximale recommandée sur l'emballage du plat. 7. Appuyer sur mise en marche. La cuisinière calcule la durée de cuisson optimale en fonction de la température actuelle du four. REMARQUE : La durée de cuisson qui s'affiche correspond à la durée nécessaire estimée par le module de commande du four. Elle peut différer de la durée saisie. Un signal sonore retentit pour pouvoir vérifier le niveau de cuisson des aliments, avec au moins 2 minutes restant sur la minuterie. Suivre les instructions à l'écran pour sélectionner une durée supplémentaire le cas échéant. 8. À la fin de la durée de cuisson, un signal sonore retentit pour vérifier le niveau de cuisson des aliments. Suivre les instructions à l'écran pour sélectionner une durée supplémentaire le cas échéant. Si aucune durée supplémentaire n'est sélectionnée, l'élément chauffant de cuisson au four s'éteint. 9. Appuyer sur la touche annulation après avoir terminé.

TOUCHE	FONCTION	INSTRUCTIONS
PROOF (levée)	Levée du pain	<ol style="list-style-type: none"> 1. Placer la pâte préparée dans le four. Appuyer sur PROOF (levée). 2. Appuyer sur mise en marche. 3. Laisser la pâte lever jusqu'à ce qu'elle ait presque doublé de volume. La durée de levée du pain peut varier en fonction du type de pâte et de la quantité. 4. Appuyer sur annulation lorsque la levée est terminée. Consulter la section "Levée du pain" pour plus d'informations.
KEEP WARM (maintien au chaud)	Maintien au chaud	<p>Les aliments doivent être à la température de service avant d'être placés dans le four chaud.</p> <ol style="list-style-type: none"> 1. Appuyer sur KEEP WARM (maintien au chaud). 2. Régler la température souhaitée entre 145 °F et 190 °F (63 °C et 88 °C) en utilisant les touches numériques. La température par défaut est 170 °F (77 °C). 3. Appuyer sur la touche mise en marche. 4. Pour changer la température, répéter les étapes 2 et 3. 5. Appuyer sur la touche annulation après avoir terminé.
DELAY START (mise en marche différée)	Mise en marche différée	<p>La touche Delay Start (mise en marche différée) sert à entrer l'heure de mise en marche pour un four équipé d'une mise en marche différée. La mise en marche différée ne doit pas être utilisée pour les aliments tels que pains et gâteaux, car ils risquent de ne pas bien cuire.</p> <p>Pour régler une cuisson minutée ou une cuisson minutée différée, voir la section "Durée de cuisson".</p>
COOK TIME (durée de cuisson)	Cuisson minutée	<p>La cuisson minutée permet d'allumer le four à une certaine heure de la journée, d'effectuer une cuisson pendant une durée déterminée et/ou d'éteindre le four automatiquement.</p> <p>Pour régler une cuisson minutée ou une cuisson minutée différée, voir la section "Durée de cuisson".</p>
AQUALIFT SELF CLEAN (autonettoyage Aqualift)	Programme de nettoyage	Voir la section "Programme de nettoyage".
REMOTE ENABLE (connexion à distance)	Activation de la connexion à distance via l'application	Appuyer sur REMOTE ENABLE (connexion à distance) pour pouvoir utiliser l'appli Whirlpool®.
CONNECT (connexion)	Connexion à Wi-Fi	Appuyer et maintenir enfoncée la touche CONNECT (connexion) pendant que le témoin lumineux WPS du routeur clignote, pour connecter la cuisinière au réseau Wi-Fi. Voir la section "Configuration de la connectivité" pour des instructions plus détaillées.

Technologie d'autonettoyage AquaLift®



La technologie d'autonettoyage AquaLift® est une solution de nettoyage inédite permettant de réduire la durée, la température et les odeurs habituellement dégagées par rapport aux méthodes d'autonettoyage traditionnelles. Avec la technologie d'autonettoyage AquaLift®, une pellicule protectrice exclusive est activée par la chaleur et l'eau à l'intérieur du four pour décoller les salissures incrustées. Pour utiliser la technologie d'autonettoyage AquaLift®, il suffit d'essuyer les débris décollés, de verser de l'eau au fond du four et de lancer le programme d'autonettoyage AquaLift®. Une fois le programme terminé, en moins de 1 heure à une température plus basse que les méthodes d'autonettoyage traditionnelles, essuyer simplement l'eau restante et les salissures décollées. Voir la section "Programme de nettoyage" pour des instructions plus détaillées. Pour plus d'informations, des réponses aux questions fréquentes et des vidéos consacrées à la technologie d'autonettoyage AquaLift®, visiter notre site Web à l'adresse <http://whirlpoolcorp.com/aqualift>.

Préchauffage

Au début d'un programme de cuisson au four, de cuisson au four avec convection ou de rôtissage avec convection, le four commence par un préchauffage une fois la touche Start (mise en marche) enfoncée. Le four atteint 350°F (177°C) en 12 à 15 minutes environ lorsque toutes les grilles fournies avec le four sont à l'intérieur. Pour atteindre une température plus élevée, le préchauffage est plus long. Le programme de préchauffage augmente rapidement la température du four. La température réelle du four dépasse alors la température programmée, pour compenser la chaleur perdue à l'ouverture du four pour y introduire le plat à cuire. Ainsi, le four entame la cuisson à la température correcte après y avoir placé le plat. Placer les aliments au four lorsque le signal sonore de préchauffage retentit. Ne pas ouvrir la porte du four pendant le préchauffage tant que le signal sonore n'a pas retenti.

Températures en surface

Lorsque la cuisinière est en marche, toutes ses surfaces peuvent chauffer, y compris les boutons de commande et la porte du four.

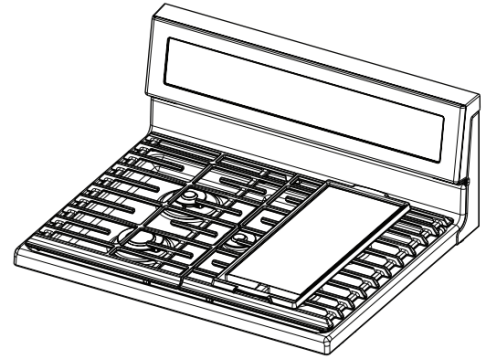
Cuisson Tiroir-réchaud ou tiroir de remisage

Lorsque le four est en marche, le tiroir peut chauffer. Ne pas placer d'objets en plastique, en tissu ou susceptibles de fondre ou de brûler dans le tiroir.

Évent du four

L'évent du four permet l'évacuation de l'air chaud et de l'humidité du four. Il ne doit pas être obstrué ou couvert. Ne pas placer près de l'évent du four des objets en plastique, en papier ou susceptibles de fondre ou de brûler.

Plaque à frire



Utilisation de la plaque à frire :

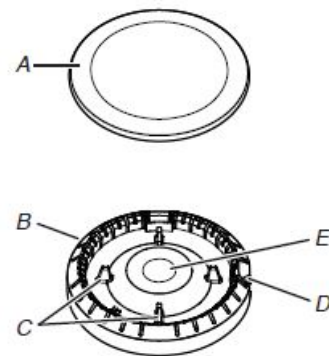
1. Repérer la plaque à frire sur le côté droit de la grille comme indiqué. Le pied de positionnement qui se trouve au fond de la plaque à frire s'accroche aux dents de la grille pour empêcher la plaque à frire de glisser.
2. Avant chaque utilisation, passer une fine couche d'huile de cuisson afin d'empêcher les aliments de coller. Les aérosols de cuisine peuvent laisser des résidus collants, difficiles à enlever, sur la plaque à frire.
3. Préchauffer la plaque à frire pendant 5 minutes. Préchauffer la plaque à frire lentement assure une distribution uniforme de la chaleur et permet d'éviter la déformation de la plaque à frire..
4. Pour le préchauffage et la cuisson, régler le brûleur avant sur le réglage de chaleur le plus bas et le brûleur arrière sur une chaleur moyennement élevée afin de garantir les meilleures performances.

REMARQUE : La plaque à frire peut aussi être utilisée sur le côté gauche de la grille. Pour obtenir les meilleurs résultats, le réglage du brûleur arrière doit être réglé à Medium-Low (moyen-faible) ou à Medium (moyen), et le brûleur avant doit être réglé à Low (faible).

Nettoyage de la plaque à frire :

1. Laisser la plaque à frire refroidir, et ensuite vider le plateau ramasse-gouttes.
2. Voir la section "Nettoyage général" pour les instructions de nettoyage.
3. Remiser la plaque à frire dans un endroit frais et sec.

Brûleurs de surface scellés



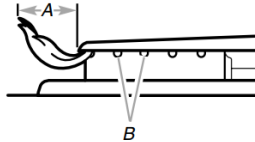
- A. Chapeau de brûleur D. Allumeur
B. Base du brûleur E. Ouverture du tube d'arrivée de gaz
C. Tiges d'alignement

IMPORTANT: Ne pas entraver l'évacuation de l'air de combustion et de ventilation autour des bords des grilles de brûleur.

Chapeau de brûleur : Toujours garder le chapeau de brûleur en place lorsqu'un brûleur de surface est utilisé. Un chapeau de brûleur propre aide à empêcher le mauvais allumage et les flammes irrégulières. Toujours nettoyer le chapeau du brûleur après un renversement; enlever et nettoyer régulièrement les chapeaux tel qu'indiqué à la section "Nettoyage général".

Alignement : Veiller à aligner l'ouverture du tube d'arrivée de gaz de la base du brûleur avec le porte-gicleur situé sur la table de cuisson, et à aligner également l'électrode d'allumage avec l'encoche de la base du brûleur.

Ouverture du tube d'arrivée de gaz : Pour que la flamme s'allume convenablement, il faut que le gaz puisse passer librement à travers l'orifice. Garder cette zone propre et ne pas laisser les produits renversés, les aliments, les agents de nettoyage ou tout autre produit pénétrer dans l'ouverture du tube d'arrivée de gaz. Toujours utiliser un chapeau de brûleur pour protéger l'ouverture de gaz contre tout renversement.



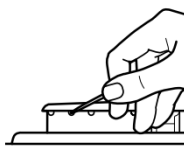
A. 1 à 1 1/2" (2,5 à 3,8 cm) B. Orifices de brûleur

Orifices de brûleur : Examiner occasionnellement les flammes des brûleurs pour en vérifier la taille et la forme tel qu'indiqué ci-dessus. Une bonne flamme est bleue plutôt que jaune. Garder cette zone exempte de saletés et ne pas laisser les produits renversés, les aliments, les agents de nettoyage ou autre produit pénétrer dans les orifices de brûleur.

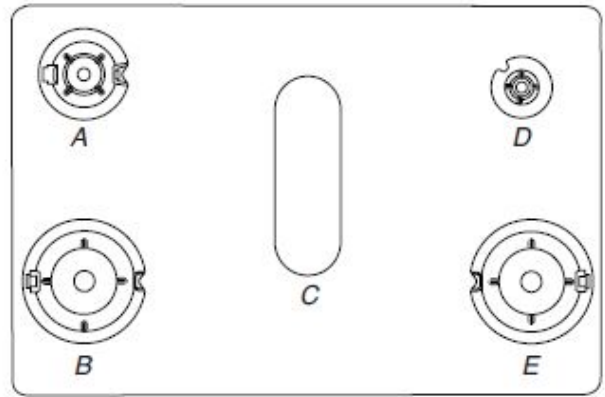
Nettoyage :

IMPORTANT: Avant le nettoyage, s'assurer que toutes les commandes sont désactivées et que la table de cuisson a refroidi. Ne pas utiliser de nettoyants à four, d'agents de blanchiment ou de décapants à rouille. Ne pas laver au lave-vaisselle.

1. Enlever le chapeau et la base du brûleur et nettoyer tel qu'indiqué à la section "Nettoyage général".
2. Nettoyer l'ouverture du tube d'arrivée de gaz avec un chiffon humide.
3. Nettoyer les orifices de brûleur obstrués avec une épingle droite tel qu'indiqué. Ne pas agrandir ni déformer l'orifice. Ne pas utiliser un cure-dents en bois. Si le brûleur a besoin d'être ajusté, contacter un technicien de réparation qualifié.

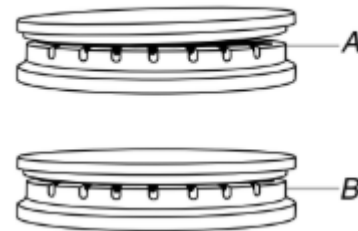


4. Réinstaller la base du brûleur. Chaque base de brûleur rond est marquée d'une lettre indiquant la taille du brûleur. Voir les illustrations suivantes pour connaître la position des brûleurs.



A. Moyen (Semi-rapide) D. Petit (Auxiliaire)
 B. Grand (Ultra rapide) E. Grand (Ultra rapide)
 C. Ovale (OV)

5. Réinstaller le chapeau de brûleur et s'assurer que les tiges d'alignement sont bien alignées avec le chapeau de brûleur.



A. Incorrect
 B. Correct

6. Placer les chapeaux de brûleur sur les bases de brûleur correspondantes.

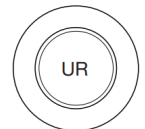
IMPORTANT: Les dessous des chapeaux petit et moyen sont différents. Ne pas placer un chapeau de la taille incorrecte sur la base du brûleur.



Petit chapeau (Auxiliaire)



Chapeau moyen (Semi-rapide)



Grand chapeau (Ultra rapide)

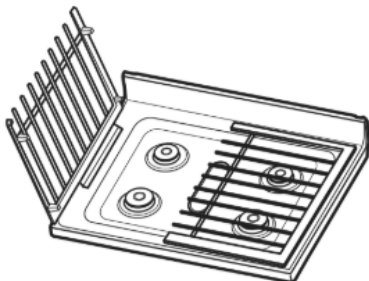
7. Allumer le brûleur. Si le brûleur ne s'allume pas, vérifier l'alignement du chapeau. Si le brûleur ne s'allume toujours pas, éteindre le brûleur. Ne pas réparer le brûleur soi-même. Contacter un technicien de réparation qualifié.

Grilles en fonte sur charnières EZ-2-Lift™

Les grilles doivent être correctement positionnées avant la cuisson. Les grilles doivent être en affleurement et de niveau pour être en bonne position. Une mauvaise installation des grilles peut entraîner l'écaillage ou l'érafflement de la table de cuisson.

Votre table de cuisson est fournie avec des grilles sur charnières plus faciles à nettoyer. Les grilles pivotent sur le côté de la table de cuisson, pour accéder plus facilement aux zones situées en-dessous des grilles.

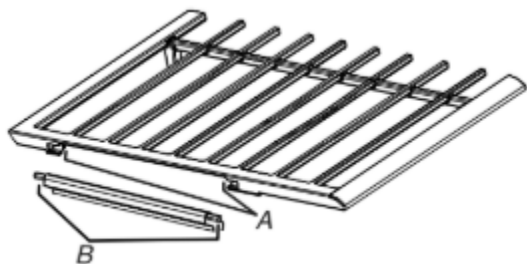
Les grilles butent dès qu'on les soulève en position verticale (ouverture complète). Une distance de dégagement minimale de 20" (50,8 cm) du plan de travail jusqu'aux placards et appareils ménagers supérieurs est nécessaire pour l'ouverture complète des grilles.



Veiller à remettre les grilles en position normale (basse) une fois le nettoyage terminé.

Les grilles sont amovibles pour le nettoyage.

Pour attacher les grilles à leurs charnières, insérer l'encoche des grilles sur le côté de la charnière à l'arrière de la table de cuisson. Veiller à incliner légèrement la grille au-dessus de la table de cuisson jusqu'à ce qu'elle soit bien insérée dans l'axe de la charnière pour éviter d'érafler la table de cuisson. Puis abaisser la grille en position sur la table de cuisson.



A. Encoche de la grille
B. Axe de charnière

Bien que les grilles de brûleurs soient durables, elles perdront progressivement de leur lustre et (ou) se décoloreront en raison des fortes températures produites par les flammes.

Ustensiles de cuisson

IMPORTANT : Ne pas laisser d'ustensile de cuisson vide sur une surface de cuisson, un élément ou un brûleur de surface chauds.

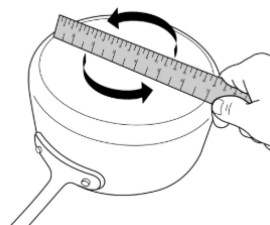
Les ustensiles de cuisson idéals doivent avoir un fond plat, des parois droites, un couvercle qui ferme hermétiquement et le matériau doit être d'épaisseur moyenne à forte.

Les finis rugueux peuvent égratigner la table de cuisson. L'aluminium et le cuivre peuvent être utilisés comme fond ou base d'un ustensile de cuisson. Toutefois, lorsqu'ils sont utilisés comme base, ils peuvent laisser des marques permanentes sur les grilles.

Le matériau d'un ustensile a une influence sur la rapidité et l'uniformité de la transmission de la chaleur, lesquelles contribuent aux résultats de cuisson. Un fini antiadhésif a les mêmes caractéristiques que son matériau de base. Par exemple, un ustensile de cuisson en aluminium avec un fini antiadhésif aura les propriétés de l'aluminium.

Les ustensiles de cuisson avec surface antiadhésive ne doivent pas être utilisés sous le gril.

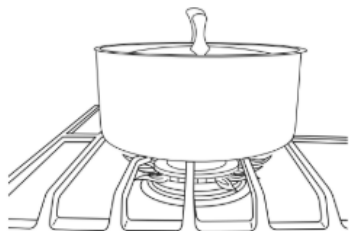
Vérifier que le récipient est plat en plaçant le bord plat d'une règle en travers du fond du récipient. Lorsque l'on fait tourner la règle, aucun espace ni aucune lumière ne devraient être visibles entre celle-ci et le récipient.



Utiliser le tableau suivant comme guide pour les caractéristiques du matériau d'ustensile de cuisson.

Ustensile	Caractéristiques
Aluminium	<ul style="list-style-type: none"> ■ Chauffe rapidement et uniformément. ■ Convient à tous les genres de cuisson. ■ L'épaisseur moyenne ou forte convient le mieux pour la plupart des tâches de cuisson. ■ Peut laisser des résidus d'aluminium. Pour en réduire la quantité, les nettoyer immédiatement après la cuisson.
Fonte	<ul style="list-style-type: none"> ■ Chauffe lentement et uniformément. ■ Convient pour le brunissage et la friture. ■ Maintient la chaleur pour une cuisson lente. ■ Des rebords anguleux ou mal poncés peuvent érafler la table de cuisson.
Céramique ou vitrocéramique	<ul style="list-style-type: none"> ■ Suivre les instructions du fabricant. ■ Chauffe lentement, mais inégalement. ■ Les meilleurs résultats sont obtenus sur les réglages de chaleur basse à moyenne. ■ Peut érafler la table de cuisson.
Cuivre	<ul style="list-style-type: none"> ■ Chauffe très rapidement et uniformément. ■ Peut laisser des résidus de cuivre. Pour en réduire la quantité, les nettoyer immédiatement après la cuisson. ■ Peut laisser une tache indélébile ou adhérer à la table de cuisson en cas de surchauffe du matériau.
Terre cuite	<ul style="list-style-type: none"> ■ Suivre les instructions du fabricant. ■ Utiliser des réglages de température basse. ■ Peut érafler la table de cuisson.
Acier émaillé en porcelaine ou fonte émaillée	<ul style="list-style-type: none"> ■ Voir acier inoxydable ou fonte. ■ Les ustensiles de cuisson au four en émail vitrifié dépourvus d'une base métallique peuvent adhérer à la table de cuisson en cas de surchauffe du matériau.
Acier inoxydable	<ul style="list-style-type: none"> ■ Chauffe rapidement, mais inégalement. ■ Un fond ou une base d'aluminium ou de cuivre sur l'acier inoxydable procure un chauffage uniforme.

Pour les meilleurs résultats, les ustensiles de cuisson doivent être centrés au-dessus du brûleur tout en étant posés à l'horizontale au fond sur la grille. La flamme doit être réglée de sorte qu'elle ne s'étende pas sur les côtés du plat.



Mise en conserve à la maison

La mise en conserve peut se faire sur une surface de cuisson lisse en verre ou sur une table de cuisson à éléments tubulaires traditionnels. Lors de la préparation de conserves pendant de longues périodes, alterner l'utilisation des surfaces de cuisson ou des éléments entre les quantités préparées. Ceci permet aux dernières surfaces utilisées de refroidir.

- Centrer l'autoclave sur la plus grande surface de cuisson ou sur le plus grand élément.
- Ne pas placer l'autoclave sur deux surfaces de cuisson ou deux éléments à la fois.
- Pour plus de renseignements, contacter votre bureau de développement agricole local, ou consulter les guides de mise en conserve à la maison. Les compagnies qui fabriquent des produits pour la préparation de conserves peuvent aussi offrir de l'aide.

UTILISATION DU FOUR

Le fonctionnement normal de la cuisinière inclut plusieurs bruits qui peuvent être entendus chaque fois que les brûleurs de cuisson au four ou de cuisson au gril s'allument durant le programme de cuisson :

- Les robinets de gaz peuvent faire un bruit "sec" lorsqu'ils s'ouvrent ou se ferment
- Les allumeurs émettront plusieurs déclics jusqu'à ce qu'une flamme soit détectée. Un bruit "d'affaissement" se fait entendre lorsque le brûleur de cuisson au four ou de cuisson au gril s'allume

Des odeurs et de la fumée sont normales lorsque le four est utilisé les premières fois, ou lorsqu'il est très sale.

IMPORTANT : La santé de certains oiseaux est très sensible aux émanations de fumée. L'exposition aux émanations peut entraîner la mort de certains oiseaux. Toujours déplacer les oiseaux dans une autre pièce fermée et bien aérée.

REMARQUE : Le ventilateur de convection s'arrête lorsque la porte du four est ouverte. Si la porte du four reste ouverte trop longtemps, les éléments chauffants se ferment jusqu'à ce que la porte soit de nouveau fermée. Toutes les minuteries, incluant les minuteries de cuisson ou les fonctions de cuisson minutée, continuent leur compte à rebours.

Commandes électroniques du four

Affichage des commandes

L'affichage clignote à la mise sous tension ou après une coupure de courant. Appuyer sur la touche annulation pour effacer. Lorsque le four n'est pas utilisé, l'heure s'affiche. Si la cuisinière est en mode d'économie d'énergie, l'écran est inactif lorsque le four n'est pas utilisé.

Signaux sonores

Les signaux sonores avertissent l'utilisateur de divers événements :

Un seul signal sonore

- Appui sur une touche valide
- Préchauffage du four terminé (signal sonore long).
- Saisie d'une fonction.
- Rappel émis chaque minute après le signal sonore de fin de programme

Trois signaux sonores

- Appui sur une touche non valide

Quatre signaux sonores

- Fin de programme

Appuyer sur la touche Settings/Clock (réglages/horloge) pour modifier les réglages des signaux sonores.

Mode d'économie d'énergie

Le mode Energy Save (économie d'énergie) place la cuisinière en mode de veille pour réduire la consommation d'énergie.

Pour activer le mode Energy Save :

1. Appuyer sur SETTINGS (réglages). "Energy Save" (économie d'énergie) apparaissent sur l'affichage.
2. Appuyer sur 1 pour changer le réglage.

Pour désactiver le mode Energy Save :

1. Appuyer sur SETTINGS (réglages). "Energy Save" (économie d'énergie) apparaissent sur l'affichage.
2. Appuyer sur 1 pour changer le réglage.

Horloge

Cette horloge est réglable sur 12 ou 24 heures.

1. Appuyer sur la touche horloge.
2. Appuyez sur 1 pour automatique ou 2 pour manuel.
3. Appuyer sur 3 pour AM (heure du matin) ou 6 pour PM (heure de l'après-midi).
4. Appuyer sur les touches numériques pour régler l'heure.
5. Appuyer sur la touche mise en marche pour mémoriser le réglage.

Réglages

De nombreuses fonctions du four peuvent être réglées pour répondre à vos besoins. La touche Settings (réglages) sert à effectuer ces ajustements.

Appuyer sur la touche Settings (réglages) pour faire défiler les fonctions modifiables. L'affichage passe au réglage suivant à chaque pression supplémentaire sur Settings (réglages). Après avoir sélectionné la fonction à modifier, le tableau de commande demande à l'utilisateur d'effectuer la manoeuvre nécessaire. Appuyer sur la touche mise en marche ou annulation pour quitter et afficher l'heure. Les sections suivantes détaillent toutes les fonctions modifiables.

Appuyer sur la touche annulation pour quitter le mode Settings (réglages). Press the Cancel keypad to exit Settings.

Fahrenheit et Celsius

Le four est préréglé pour un affichage de la température en degrés Fahrenheit, mais on peut le permuter en degrés Celsius.

To change:

1. Appuyer sur SETTINGS (réglages) jusqu'à afficher "TEMP UNIT" (unité de température).
2. Le réglage en cours s'affiche.
3. Appuyer sur 1 pour changer le réglage.
4. Appuyer sur 1 pour changer le réglage.

Désactivation des signaux sonores

Désactive tous les signaux sonores, y compris le signal sonore de fin de programme et les signaux sonores d'appui sur une touche. Les signaux sonores de rappel restent actifs lorsque tous les sons sont désactivés.

1. Appuyer sur SETTINGS (réglages) jusqu'à afficher "SOUND" (son).
2. Le réglage en cours s'affiche.
3. Appuyer sur 1 pour changer le réglage.
4. Appuyer sur la touche mise en marche ou annulation pour quitter et afficher l'heure.

Volume sonore

Règle le volume du signal sonore à bas ou élevé.

1. Appuyer sur SETTINGS (réglages) jusqu'à afficher "SOUND VOLUME" (volume sonore).
2. Le réglage en cours s'affiche.
3. Appuyer sur 1 pour changer le réglage.
4. Appuyer sur la touche mise en marche ou annulation pour quitter et afficher l'heure.

Signal sonore de fin de programme

Active ou désactive les signaux sonores émis à la fin d'un programme.

1. Appuyer sur SETTINGS (réglages) jusqu'à afficher "END TONE" (signal sonore de fin).
2. Le réglage en cours s'affiche.
3. Appuyer sur 1 pour changer le réglage.
4. Appuyer sur la touche mise en marche ou annulation pour quitter et afficher l'heure.

Signaux sonores d'appui sur une touche

Active ou désactive les signaux sonores lorsqu'on appuie sur une touche.

1. Appuyer sur SETTINGS (réglages) jusqu'à afficher "KEYPRESS TONE" (signal sonore des touches).
2. Le réglage en cours s'affiche.
3. Appuyer sur 1 pour changer le réglage.
4. Appuyer sur la touche mise en marche ou annulation pour quitter et afficher l'heure.

Désactivation des signaux sonores de rappel

Désactive le signal sonore bref qui retentit chaque minute après le signal sonore de fin de programme.

1. Appuyer sur SETTINGS (réglages) jusqu'à afficher "REMINDER TONE" (signal sonore de rappel).
2. Le réglage en cours s'affiche.
3. Appuyer sur 1 pour changer le réglage.
4. Appuyer sur la touche mise en marche ou annulation pour quitter et afficher l'heure.

Horloge 12/24 heures

1. Appuyer sur SETTINGS (réglages) jusqu'à afficher "12/24 HOUR" (horloge sur 12/24 heures).
2. Le réglage en cours s'affiche.
3. Appuyer sur 1 pour changer le réglage.
4. Appuyer sur la touche mise en marche ou annulation pour quitter et afficher l'heure.

Mode de démonstration

IMPORTANT : Destinée au personnel commercial en rayon, cette fonction permet, avec un raccordement au secteur 120 V, de présenter les fonctions des commandes sans pour autant activer le four. Si cette fonction est activée, le four ne fonctionnera pas.

1. Appuyer sur SETTINGS (réglages) jusqu'à afficher "DEMO MODE" (mode démo).
2. Le réglage en cours s'affiche.
3. Appuyer sur 1 pour changer le réglage.
4. Appuyer sur la touche mise en marche ou annulation pour quitter et afficher l'heure.

Mode Sabbat

Le mode Sabbat maintient le réglage de cuisson au four tant que le four n'est pas éteint.

Lorsque le mode Sabbat est réglé, seul le programme de cuisson au four fonctionne. Tous les autres programmes de cuisson et de nettoyage sont désactivés. Aucun signal sonore ne retentit et les affichages n'indiquent pas les changements de température.

Lorsque la porte du four est ouverte ou fermée, la lampe du four ne s'allume ou ne s'éteint pas et les éléments de chauffage ne s'allument ou ne s'éteignent pas immédiatement.

Activation du mode Sabbat (une seule fois) :

1. Appuyer sur SETTINGS (réglages) jusqu'à afficher "SABBATH" (sabbat).
2. Le réglage en cours s'affiche.
3. Appuyer sur 1 pour changer le réglage.
4. Appuyer sur la touche mise en marche ou annulation pour quitter et afficher l'heure.

Arrêt au bout de 12 heures

Le four est configuré pour s'éteindre automatiquement 12 heures après avoir activé une fonction de cuisson ou de nettoyage. Cette fonction ne perturbe aucune fonction de cuisson minutée ou différée.

1. Appuyer sur SETTINGS (réglages) jusqu'à afficher "12Hr AUTO_OFF" (arrêt automatique après 12 heures).
2. Le réglage en cours s'affiche.
3. Appuyer sur 1 pour changer le réglage.
4. Appuyer sur la touche mise en marche ou annulation pour quitter et afficher l'heure. Press the Start or Cancel keypads to exit and display the time of day.

Langue du texte inscrit sur l'affichage

Les options de langue sont l'anglais, l'espagnol et le français.

1. Appuyer sur SETTINGS (réglages) jusqu'à afficher "LANGUAGE" (langue).
2. Le réglage en cours s'affiche.
3. Appuyer sur 1 ou 2 pour sélectionner la langue souhaitée.
4. Appuyer sur la touche mise en marche ou annulation pour quitter et afficher l'heure.

Commande de décalage de température du four

IMPORTANT : Ne pas utiliser de thermomètre pour mesurer la température du four. Les éléments chauffants s'allument et s'éteignent en alternance pour maintenir une température constante, mais leur température peut varier légèrement dans un sens ou dans l'autre du fait de cette alternance. De nombreux thermomètres réagissent lentement à un changement de température, et ne donneront pas une mesure exacte du fait de cette alternance.

Le four fournit des températures précises; toutefois, il peut cuire plus rapidement ou plus lentement que votre ancien four, c'est pourquoi la température peut être ajustée à vos besoins de cuisson. Elle peut être modifiée en degrés Fahrenheit ou Celsius.

Ajustement de la température du four :

1. Appuyer sur SETTINGS (réglages) jusqu'à afficher "TEMP CALIB" (étalonnage température).
2. Sur certains modèles, appuyer sur 1 pour effectuer l'étalonnage de température du tiroir. Appuyer sur la touche mise en marche, attendre 10 secondes que l'affichage change, puis passer à l'étape 3.

OU

Appuyer sur la touche Start (mise en marche) pour effectuer le réglage de la température du four. Attendre 10 secondes que l'affichage change, puis passer à l'étape 3.

3. Appuyer sur 3 pour augmenter la température par paliers de 5°F (3°C) ou sur 6 pour diminuer la température par paliers de 5°F (3°C). L'intervalle d'ajustement se situe entre -30°F et +30°F (-18°C à +18°C).
4. Appuyer sur la touche mise en marche ou annulation pour quitter et afficher l'heure.

Mode Sabbat

Le mode Sabbat maintient le réglage de cuisson au four tant que le four n'est pas éteint.

Lorsque le mode Sabbat est réglé, seul le programme de cuisson au four fonctionne. Tous les autres programmes de cuisson et de nettoyage sont désactivés. Aucun signal sonore ne retentit et les affichages n'indiquent pas les changements de température.

Lorsque la porte du four est ouverte ou fermée, la lampe du four ne s'allume ou ne s'éteint pas et les éléments de chauffage ne s'allument ou ne s'éteignent pas immédiatement.

Activation du mode Sabbat (une seule fois) :

1. Appuyer sur SETTINGS (réglages) jusqu'à afficher "SABBATH" (sabbat). "OFF. Press (1) for On" (Inactif. appuyer sur (1) pour activer) défile sur l'affichage.
2. Appuyer sur 1. "ON. Press (1) for Off" (actif. Appuyer sur (1) pour désactiver) défile sur l'affichage. Le mode Sabbat peut être utilisé pour la cuisson au four.
3. Appuyer sur la touche Start (mise en marche) ou Cancel (annulation) pour quitter et afficher l'heure.

REMARQUE : Pour désactiver le mode Sabbat, répéter les étapes 1 à 3 pour changer l'état de "SABBATH ON" (mode Sabbat actif) à "SABBATH OFF" (mode Sabbat inactif).

Activation du mode Sabbat :

1. Appuyer sur BAKE (cuisson au four).
2. Appuyer sur les touches numériques pour entrer une température autre que 350°F (177°C).
3. Appuyer sur la touche mise en marche.

Pour une cuisson minutée au mode Sabbat, appuyer sur COOK TIME (durée de cuisson), puis sur les touches numériques pour régler la durée de cuisson désirée. Appuyer sur la touche mise en marche.

4. Appuyer sur SETTINGS (réglages). Appuyer ensuite sur 7. "SAb" apparaît sur l'affichage.

Réglage de la température (lorsque le mode Sabbat fonctionne) :

1. Appuyer sur les touches numériques comme indiqué par le texte déroulant afin de sélectionner la nouvelle température.

REMARQUE : Le changement de température n'apparaît pas sur l'affichage et aucun son n'est émis. Le texte déroulant s'affiche tel qu'il était avant que l'on n'appuie sur la touche.

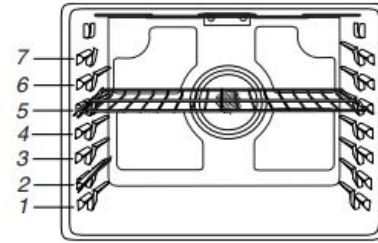
2. Appuyer sur la touche mise en marche.

Désactivation du mode Sabbat :

Appuyer sur SETTINGS (réglages), puis sur 7 pour revenir à la cuisson au four traditionnelle ou sur annulation pour éteindre la cuisinière.

Positionnement des grilles et des ustensiles de cuisson au four

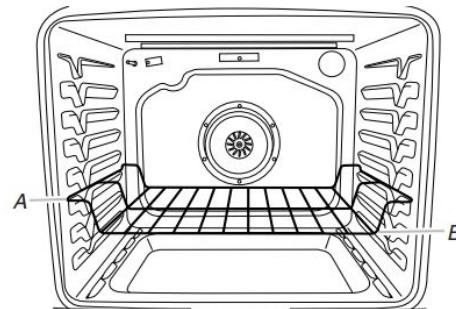
Se servir de l'illustration et du tableau suivants comme guide.



Le four possède 7 positions pour grille plate, comme indiqué dans l'illustration précédente et le tableau suivant.

Position de la grille plate*	Type d'aliment
7	Cuire au grill/griller les viandes, les hamburgers, les steaks
6	Viandes grillées, volaille, poisson
3 ou 4	La plupart des produits de boulangerie, plats en sauce, plats surgelés
2	Viandes rôties
1	Gros rôtis/volailles

IMPORTANT : Si votre modèle possède une grille de four à capacité maximale, les bords surélevés doivent être placés dans la position immédiatement supérieure à la position souhaitée pour les aliments. Voir l'illustration ci-dessous.



A. Bordures de grille en position 3
B. Aliments en position 2

IMPORTANT : Ces positions de grille concernent les grilles plates. En cas d'utilisation d'une grille de four à capacité maximale, la position de la grille doit être ajustée en conséquence comme dans l'illustration précédente.

Ustensiles de cuisson

L'air chaud doit pouvoir circuler autour de l'aliment pour le cuire uniformément. Pour de meilleurs résultats, laisser un espace de 2" (5 cm) entre les ustensiles de cuisson et les parois du four. Utiliser le tableau suivant comme guide.

Cuisson sur plusieurs grilles

Cuisson sur 2 grilles (sans convection) : Utiliser les positions de grille 2 et 5 ou 3 et 6.

Cuisson sur 2 grilles (avec convection) : Utiliser les positions de grille 2 et 5 ou 3 et 6.

Cuisson sur 3 grilles (avec convection) : Utiliser les positions 2 et 7 et une grille de four à capacité maximale en position 5.

Cuisson au four et rôtissage

Système de gestion de la température

Le système régule électroniquement les niveaux de température du four durant le préchauffage et la cuisson au four afin de maintenir une gamme précise de températures pour des résultats de cuisson optimaux. Le brûleur de cuisson au four s'allume et s'éteint par intermittence. Pour les cuisinières à convection, le ventilateur peut fonctionner pendant le préchauffage et peut s'allumer et s'éteindre par intermittence pendant de courts intervalles afin de fournir de meilleurs résultats. Cette caractéristique est activée automatiquement lorsque le four est utilisé.

Avant la cuisson au four et le rôtissage, placer les grilles comme indiqué à la section "Positionnement des grilles et des ustensiles de cuisson". Lors du rôtissage, il n'est pas nécessaire d'attendre la fin du préchauffage du four avant d'y placer la nourriture, sauf si la recette le recommande.

Préchauffage

Au début d'un programme de cuisson au four, de cuisson au four avec convection ou de rôtissage avec convection, le four commence par un préchauffage une fois la touche Start (mise en marche) enfoncée. Le four atteint 350°F (177°C) en 12 à 15 minutes environ lorsque toutes les grilles fournies avec le four sont à l'intérieur. Pour atteindre une température plus élevée, le préchauffage est plus long. Le programme de préchauffage augmente rapidement la température du four. La température réelle du four dépasse alors la température programmée, pour compenser la chaleur perdue à l'ouverture du four pour y introduire le plat à cuire. Ainsi, le four entame la cuisson à la température correcte après y avoir placé le plat. Placer les aliments au four lorsque le signal sonore de préchauffage retentit. Ne pas ouvrir la porte du four pendant le préchauffage tant que le signal sonore n'a pas retenti.

Préchauffage rapide

La fonction Rapid Preheat (préchauffage rapide) peut servir à réduire la durée de préchauffage. Durant le préchauffage rapide, seule une grille doit se trouver dans le four. Les autres grilles doivent être retirées avant de démarrer le préchauffage rapide. Appuyer sur RAPID PREHEAT (préchauffage rapide) et suivre les instructions du panneau de commande du four, ou appuyer tout simplement sur RAPID PREHEAT (préchauffage rapide) si le préchauffage a déjà commencé. Le programme de préchauffage doit être terminé avant de placer de la nourriture dans le four. Une fois le programme de préchauffage rapide terminé, le four commence un programme normal de cuisson au four.

IMPORTANT : La fonction de préchauffage rapide doit être utilisée uniquement pour la cuisson au four sur une seule grille.

Température du four

En cours d'utilisation, les éléments chauffants du four s'allument et s'éteignent en alternance pour maintenir une température constante, mais leur température peut varier légèrement dans un sens ou dans l'autre du fait de cette alternance. L'ouverture de la porte du four en cours d'utilisation laisse échapper l'air chaud et refroidit le four, ce qui peut modifier la durée nécessaire et le résultat de la cuisson. Pour suivre l'avancement de la cuisson, il est conseillé d'utiliser l'éclairage du four.

REMARQUE : Sur les modèles équipés d'une fonction de convection, le ventilateur de convection peut tourner dans le mode de cuisson sans convection pour améliorer la performance du four.

Technologie Frozen Bake™

La technologie Frozen Bake™ règle automatiquement le temps de cuisson du fabricant en combinant le préchauffage et la cuisson pour offrir sans attente de bons résultats avec les plats congelés. Il est possible de choisir parmi six options de programmes pour aliments : Pizza, lasagne, croquettes, frites, tartes, et repas. Le programme Frozen Bake™ est conçu pour ne fonctionner qu'avec ces aliments. Lors de l'utilisation de la technologie Frozen Bake™, il est important de respecter toutes les instructions du fabricant, incluant la ventilation et le fait de recouvrir les aliments, de les mélanger ou de les poser sur une plaque à pâtisserie pour obtenir de bons résultats. Lors de la préparation de plats congelés, ne cuire que des aliments munis d'instructions pour un four conventionnel. Placer le plat au centre de la grille et sélectionner l'une des positions de grille recommandées pour les plats congelés dans la section "Positionnement des grilles et ustensiles de cuisson au four". Ne faire cuire qu'un plat ou une plaque à la fois. Utiliser la température et le temps de cuisson maximum indiqué sur l'emballage.

Une tonalité vous indiquera de vérifier le degré de cuisson avant la fin du temps de cuisson et à la fin du temps de cuisson. L'affichage vous demandera d'ajouter du temps de cuisson (au besoin).

Cuisson au gril

Pour la cuisson au gril, préchauffer le four pendant 5 minutes avant d'y placer des aliments, à moins que la recette ne recommande autre chose. Placer l'aliment sur la grille de la lèchefrite, puis placer celle-ci au centre de la grille du four.

IMPORTANT : Fermer la porte pour une température de cuisson au gril adéquate.

Le changement de température lors de la cuisson au gril permet un contrôle plus précis de la cuisson. Plus le réglage du gril est bas, plus la cuisson est lente. Les morceaux épais et de forme irrégulière de viande, de poisson et de volaille cuisent mieux à des réglages de gril plus bas. Utiliser la grille 6 ou 7 pour la cuisson au gril. Consulter la section "Positionnement des grilles et ustensiles de cuisson" pour plus d'informations. À des réglages inférieurs, l'élément de cuisson au gril s'allume et s'éteint par intermittence afin de maintenir une température adéquate.

- Pour de meilleurs résultats, utiliser une lèchefrite et une grille - elles sont conçues pour laisser s'écouler les jus et aider à éviter les éclaboussures et la fumée.

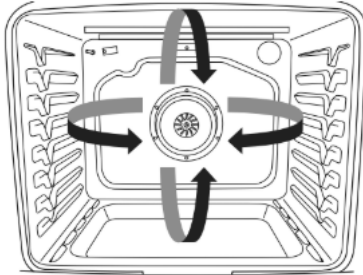
Il est possible de commander une lèchefrite. Voir la section "Accessoires".

REMARQUE : Les odeurs et la fumée sont normales lors des premières utilisations du four ou si ce dernier est très sale.

Cuisson par convection

Dans un four à convection, l'air chaud que fait circuler le ventilateur répartit plus uniformément la chaleur que le mouvement naturel de l'air dans un four thermique standard. Ce déplacement d'air chaud contribue à maintenir une température constante dans tout le four, qui permet de cuire les aliments plus uniformément, de dorer leur surface tout en conservant leur humidité naturelle et de donner des pains plus croustillants.

IMPORTANT : La cuisson à convection permet de cuire la majorité des aliments à une température plus basse ou pendant moins longtemps. Cette cuisinière réduit automatiquement la température du four de 25 °F (15 °C) pour la cuisson par convection.



Durant la cuisson par convection, les brûleurs de cuisson au four et de cuisson au gril, ainsi que l'élément de convection s'allument et s'éteignent par intermittence pour maintenir la température du four tandis que le ventilateur fait circuler l'air chaud.

REMARQUE : Le ventilateur de convection s'allume environ 5 minutes pendant un programme de convection.

Si la porte du four est ouverte durant la cuisson par convection, le ventilateur s'éteint immédiatement. Il s'allume à nouveau lorsque la porte du four est fermée.

REMARQUE : La porte du four doit être fermée pour la cuisson au gril par convection.

Convection (véritable) and Convection (ventilateur)

Pour la cuisson au four, la cuisson au gril ou le rôtissage par convection, entrer la température de cuisson au four normale. La commande réduit automatiquement la température réglée du four de 25 °F (15 °C).

Options de cuisson par convection

Cuisson au four par convection : cuisson au four sur plusieurs grilles de biscuits, pains, plats en sauce, tartes, tourtes et gâteaux

Rôtissage par convection : poulets ou dindes entiers, légumes, rôtis de porc, rôtis de boeuf

Cuisson au gril par convection : morceaux plus épais ou inégaux de viande, de poisson ou de volaille.

Levée du pain

La levée du pain prépare la pâte pour la cuisson en activant la levure. Suivre les instructions de la recette comme guide. La levée doit être utilisée pour les pâtes fraîches, les pâtes surgelées et pour la première et la deuxième levée.

Pour faire lever la pâte :

Avant la première levée de pain, placer la pâte dans un saladier légèrement graissé et couvrir sans serrer avec du papier ciré recouvert de shortening. Placer sur la glissière de grille 2 et fermer la porte du four.

REMARQUE : Si la température du four est supérieure à 120 °F (49 °C), "Oven Cooling" (refroidissement four) s'affiche jusqu'à ce que la température soit inférieure à 120 °F (49 °C).

1. Appuyer sur PROOF (levée du pain).
2. Appuyer sur la touche mise en marche.

Laisser la pâte lever jusqu'à ce qu'elle ait presque doublé de volume. La durée de levée du pain peut varier en fonction du type de pâte et de la quantité.

3. Appuyer sur la touche annulation lorsque la levée est terminée.

Avant la seconde levée, mettre la pâte en forme, la placer sur la ou les plaques de cuisson et couvrir partiellement. Reprendre le même positionnement et vérifier que les étapes ci-dessus ont bien été suivies. Avant la cuisson au four, retirer la pellicule protectrice.

REMARQUE : Si la température du four est supérieure à 120 °F (49 °C), l'affichage indique "Oven Cooling" (refroidissement four) jusqu'à ce que la température soit inférieure à 120 °F (49 °C).

Durée de cuisson

Réglage d'une cuisson minutée :

1. Appuyer sur BAKE (cuisson au four) ou BROIL (cuisson au gril), ou appuyer sur CONVECT (convection) jusqu'à afficher le mode de convection souhaité sur l'affichage.
2. Appuyer sur les touches numériques pour entrer une température autre que celle qui est affichée.
3. Appuyer sur COOK TIME (durée de cuisson). Le témoin lumineux de la durée de cuisson du four s'allume.
4. Appuyer sur les touches numériques pour entrer la durée de cuisson.
5. Appuyer sur mise en marche. L'afficheur présente le compte à rebours de la durée. Lorsque la durée est écoulée, le four s'éteint automatiquement.
6. Appuyer sur la touche annulation pour effacer l'afficheur.

Réglage d'une cuisson minutée différée :

1. Appuyer sur BAKE (cuisson au four) ou BROIL (cuisson au gril), ou appuyer sur CONVECT (convection) jusqu'à afficher le mode de convection souhaité sur l'affichage.
2. Appuyer sur les touches numériques pour entrer une température autre que celle qui est affichée.
3. Appuyer sur COOK TIME (durée de cuisson). Le témoin lumineux de la durée de cuisson du four s'allume.
4. Appuyer sur DELAY START (mise en marche différée).
5. Appuyer sur les touches numériques pour entrer le nombre d'heures et/ou de minutes dont on souhaite différer l'heure de mise en marche.
6. Appuyer sur la touche mise en marche.
Lorsque l'heure de mise en marche est atteinte, le four s'allume automatiquement. Les réglages de température et/ou de durée peuvent être modifiés à tout moment après avoir mis en marche le four en répétant les étapes 2 à 4. Lorsque la durée de cuisson réglée est écoulée, le four s'éteint automatiquement.
7. Appuyer sur la touche annulation pour effacer l'afficheur.

Estufas autónomas a gas Guía de control

GUÍA DE FUNCIONES

ADVERTENCIA: A fin de reducir el riesgo de incendio, choque eléctrico o lesiones personales, lea las INSTRUCCIONES IMPORTANTES DE SEGURIDAD que se encuentran en el Manual del propietario, antes de usar el electrodoméstico.

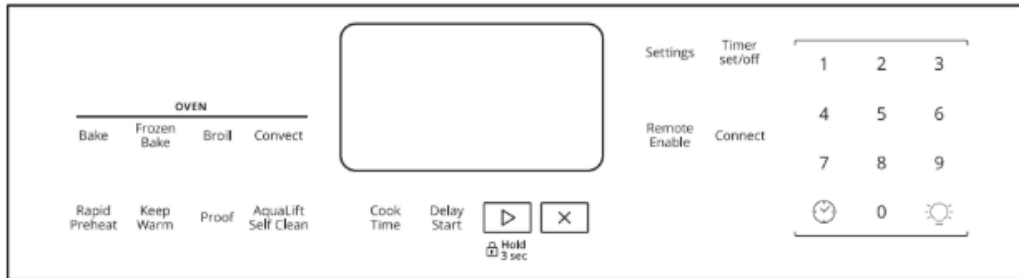
Estas instrucciones describen varios modelos; Su modelo puede contar con algunos o todos los elementos enumerados. Consulte estas instrucciones o la sección de Preguntas frecuentes (FAQ) de nuestro sitio web en www.whirlpool.com para obtener instrucciones más detalladas. En Canadá, visite nuestro sitio web en www.whirlpool.ca.



⚠ ADVERTENCIA



Peligro de Intoxicación Alimentaria

No deje sus alimentos en el horno por más de una hora antes o después de su cocción.

No seguir esta instrucción puede ocasionar intoxicación alimentaria o enfermedad.



TECLADO	CARACTERÍSTICA	INSTRUCCIONES
Reloj 	Reloj	<p>El reloj puede usar un ciclo de 12 o 24 horas. Vea la sección “Controles electrónicos del horno”.</p> <ol style="list-style-type: none"> 1. Presione la tecla reloj. 2. Presione 1 para la configuración automática o 2 para la configuración manual. 3. Presione 3 para AM o 6 para PM. 4. Utilice las teclas numéricas para fijar la hora. 5. Presione la tecla inicio para guardar el ajuste.
Luz del horno 	Luz de la cavidad del horno	<p>La luz del horno se controla con una tecla situada en el panel de control del horno. Con la puerta del horno cerrada, presione la tecla luz del horno para encender y apagar la luz. Cuando se abre la puerta del horno, la luz interior se enciende automáticamente.</p>
TIMER SET/ OFF (Fijar/ Apagar el Temporizador)	Temporizador del horno	<p>El temporizador se puede fijar en horas o minutos, hasta 9 horas y 59 minutos.</p> <ol style="list-style-type: none"> 1. Presione TIMER SET/OFF (Fijar/Apagar el temporizador). 2. Presione las teclas numéricas para fijar la duración en hr-min-min. No es necesario ingresar ceros iniciales. Por ejemplo, para 2 minutos, ingrese 2. 3. Presione TIMER SET/OFF (Fijar/Apagar el temporizador) para comenzar la cuenta regresiva. Si se activa, sonará un tono al final de la cuenta regresiva. 4. Presione TIMER SET/OFF (Fijar/Apagar el Temporizador) para cancelar el temporizador y volver a la hora del día. No presione el botón Cancel (Cancelar), ya que al hacerlo se apagará el horno. 5. Si el temporizador está haciendo la cuenta regresiva, pero no en la pantalla, presione TIMER SET/OFF (Fijar/Apagar el Temporizador) para mostrar la cuenta regresiva en la pantalla por 5 segundos.

TECLADO	CARACTERÍSTICA	INSTRUCCIONES
Inicio 	Inicio de cocción/ Bloqueo de controles del horno	<p>Con la tecla inicio se inicia cualquier función del horno. Si no se presiona inicio en un plazo de 2 minutos después de haber presionado una tecla, la función se cancela y en la pantalla aparece la hora del día</p> <p>Para tener acceso bloqueo de controles del horno:</p> <ol style="list-style-type: none"> 1. Verifique que el horno esté apagado. 2. Oprima y sostenga el botón de inicio durante 3 segundos. 3. Sonará un tono y se desplazará "Control Locked" (Bloqueo de Control); luego aparecerá en la pantalla "Locked" (Bloqueado). 4. Repita para desbloquear. Cuando los controles estén bloqueados, no funcionará ninguna tecla. Las funciones de la superficie de cocción no se ven afectadas por el bloqueo del control del horno.
Cancelar 	Función de la estufa	<p>El botón cancelar detiene cualquier función del horno, con excepción de reloj y Timer (Temporizador).</p>
BAKE (Hornear)	Cómo hornear y asar	<ol style="list-style-type: none"> 1. Presione BAKE (Hornear). 2. Presione las teclas numéricas para fijar la temperatura deseada. 3. Presione la tecla inicio. 4. Para cambiar la temperatura, repita los pasos 2 y 3. 5. Presione la tecla cancelar cuando haya finalizado.
BROIL (Asar a la parrilla)	Asado a la parrilla	<ol style="list-style-type: none"> 1. Presione BROIL (Asar a la parrilla). 2. Seleccione la temperatura para asar presionando 1 - Alta, 2 - Medio, o 3 - Baja. 3. Presione la tecla inicio y deje que el horno se precaliente durante 5 minutos. 4. Para cambiar la temperatura, repita los pasos 2 y 3. 5. Coloque los utensilios de cocina dentro del horno y cierre la puerta del horno. 6. Presione la tecla cancelar cuando haya finalizado.
CONVECT (Convección)	Horneado por convección	<ol style="list-style-type: none"> 1. Presione CONVECT (convección) hasta que aparezca el modo que desee. 2. Presione la tecla inicio. 3. Presione las teclas numéricas para fijar la temperatura deseada. 4. Presione la tecla inicio. 5. Para cambiar la temperatura, repita los pasos 2 y 3. 6. Presione la tecla cancelar cuando haya finalizado.
FROZEN BAKE (Hornear congelados)	Alimentos previamente empaquetados	<ol style="list-style-type: none"> 1. Ubique los alimentos en una rejilla plana del horno en la posición de parrilla 4. Consulte la sección "Colocación de las parrillas y los utensilios para hornear". NOTA: Cocine uno solo paquete de alimentos congelados por vez cuando use la tecnología Frozen Bake™. 2. Presione FROZEN BAKE (Hornear congelados). 3. Presione el botón numérico para seleccionar la opción deseada de alimento. 4. Presione los botones numéricos para fijar la temperatura según lo recomiende el envase de los alimentos. 5. Presione COOK TIME (tiempo de cocción). 6. Presione los botones numéricos para fijar el tiempo de cocción máximo según lo recomiende el envase de los alimentos. 7. Presione la tecla inicio. La estufa calculará el mejor tiempo de cocción y mostrará el tiempo de horneado ajustado en la pantalla. NOTA: El tiempo de cocción que aparece en la pantalla es el tiempo de cocción requerido estimado según lo calcula el control del horno. Puede ser diferente del tiempo que usted haya introducido. Un pitido le indicará que debe revisar si los alimentos están cocidos al menos 2 minutos antes de que se agote el tiempo del temporizador. Siga las indicaciones que aparecen en la pantalla para seleccionar más tiempo si lo desea. 8. Al finalizar el tiempo de cocción, un pitido le indicará que debe revisar si los alimentos están cocidos. Siga las indicaciones que aparecen en la pantalla para seleccionar más tiempo si lo desea. A menos que se seleccione más tiempo, el elemento de hornear se apaga. 9. Presione la tecla cancelar cuando haya finalizado.
PROOF (Leudar)	Cómo hacer leudar el pan	<ol style="list-style-type: none"> 1. Coloque la masa preparada en el horno. Presione PROOF (Leudar). 2. Presione la tecla inicio. 3. Deje que la masa se esponje hasta que esté casi al doble de su tamaño. El tiempo de leudado puede variar según el tipo y la cantidad de masa. 4. Presione la tecla cancelar cuando haya terminado de leudar. Consulte la sección "Cómo hacer leudar el pan" para obtener más información.

TECLADO	CARACTERÍSTICA	INSTRUCCIONES
KEEP WARM (Mantener caliente)	Mantenimiento caliente	Los alimentos deberán estar a la temperatura para ser servidos antes de colocarlos en el horno calentado. <ol style="list-style-type: none"> 1. Presione KEEP WARM (mantenimiento caliente). 2. Fije la temperatura deseada entre 145 °F (63 °C) y 190 °F (88 °C) con los botones numéricos. La temperatura predeterminada es de 170 °F (77 °C). 3. Presione la tecla inicio. 4. Para cambiar la temperatura, repita los pasos 2 y 3. 5. Presione la tecla cancelar cuando haya finalizado.
DELAY START (Inicio diferido)	Inicio diferido	Delay Start (Inicio diferido) se utiliza para ingresar la hora en la que se va a iniciar una función del horno con un inicio diferido. El inicio diferido no debe usarse para alimentos como panes y pasteles, ya que tal vez no se horneen como es debido. Para fijar Timed Cook (Cocción Programada) o Delayed Timed Cook (Cocción Programada Diferida), consulte la sección "Tiempo de cocción".
COOK TIME (Tiempo de cocción)	Cocción temporizada	La función Cook Time (tiempo de cocción) permite que el horno se programe para encenderse a una determinada hora del día, cocine durante un tiempo establecido y/o se apague automáticamente. El inicio diferido no debe usarse para alimentos como panes y pasteles, ya que tal vez no se horneen como es debido. Para fijar Cook Time (Tiempo de cocción) o Delayed Cook Time (Tiempo de cocción diferido), vea la sección "Tiempo de cocción".
AQUALIFT SELF CLEAN	Ciclo de limpieza	Vea la sección "Ciclo de limpieza" en el Manual del propietario.
REMOTE ENABLE (Inhabilitar remoto)	Habilitar el control remoto con la aplicación	Presione REMOTE ENABLE (Habilitar remoto) para habilitar la capacidad de usar la aplicación Whirlpool®.
CONNECT (Conectar)	Conectar con Wi-Fi	Mantenga presionado CONNECT (Conectar) mientras la luz indicadora de WPS del enrutador esté parpadeando para conectar la estufa a la red Wi-Fi. Vea la sección "Configuración de la conectividad" para obtener instrucciones más detalladas.

Technologie d'autonettoyage AquaLift®



La technologie d'autonettoyage AquaLift® est une solution de nettoyage inédite permettant de réduire la durée, la température et les odeurs habituellement dégagées par rapport aux méthodes d'autonettoyage traditionnelles. Avec la technologie d'autonettoyage AquaLift®, une pellicule protectrice exclusive est activée par la chaleur et l'eau à l'intérieur du four pour décoller les salissures incrustées. Pour utiliser la technologie d'autonettoyage AquaLift®, il suffit d'essuyer les débris décollés, de verser de l'eau au fond du four et de lancer le programme d'autonettoyage AquaLift®. Une fois le programme terminé, en moins de 1 heure à une température plus basse que les méthodes d'autonettoyage traditionnelles, essuyer simplement l'eau restante et les salissures décollées. Vea la sección "Ciclo de limpieza" en el Manual del propietario para obtener instrucciones más detalladas. Pour plus d'informations, des réponses aux questions fréquentes et des vidéos consacrées à la technologie d'autonettoyage AquaLift®, visiter notre site Web à l'adresse <http://whirlpoolcorp.com/aqualift>.

Precalementamiento

Cuando comience un ciclo de horneado, horneado por convección o asado por convección, el horno comenzará a precalentarse después de que se presione el botón Start (Inicio). El horno tardará 12 a 15 minutos aproximadamente para alcanzar 350 °F (177 °C) con todas las parrillas de horno provistas con el horno dentro de la cavidad. Cuanto mayor sea la temperatura, más tiempo tomará precalentar el horno. El ciclo de precalentamiento aumenta rápidamente la temperatura del horno. La temperatura real del horno superará la temperatura fijada para compensar la pérdida de calor cuando se abra la puerta del horno para introducir los alimentos. Esto asegura que el horno comience a la temperatura correcta cuando se coloquen los alimentos en el horno. Introduzca los alimentos cuando suene el tono de precalentamiento. No abra la puerta durante el precalentamiento antes de que suene el tono.

Températures en surface

Lorsque la cuisinière est en marche, toutes ses surfaces peuvent chauffer, y compris les boutons de commande et la porte du four.

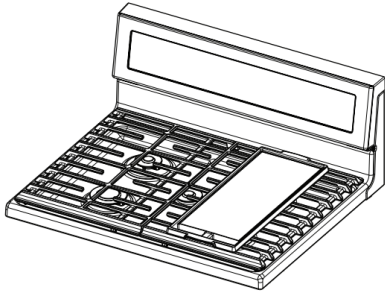
Tiroir-réchaud, Tiroir-réchaud ou tiroir de remisage

Lorsque le four est en marche, le tiroir peut chauffer. Ne pas placer d'objets en plastique, en tissu ou susceptibles de fondre ou de brûler dans le tiroir.

Évent du four

L'évent du four permet l'évacuation de l'air chaud et de l'humidité du four. Il ne doit pas être obstrué ou couvert. Ne pas placer près de l'évent du four des objets en plastique, en papier ou susceptibles de fondre ou de brûler.

Plancha



Plancha instalada en el lado derecho de la superficie de cocción

Para usar la plancha:

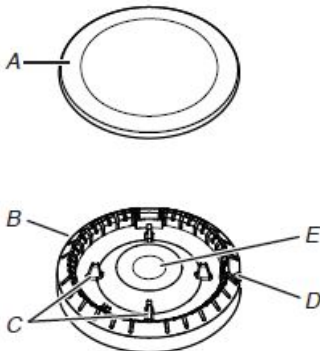
1. Ubique la plancha en la rejilla del lado derecho, como se muestra. Las patas de ubicación en la base de la plancha engancharán las puntas de la rejilla para evitar que la plancha se deslice.
2. Antes de cada uso, aplique una capa delgada de aceite de cocina con un pincel para evitar que se peguen los alimentos. Los rociadores de cocina pueden dejar un residuo pegajoso en la plancha, el cual es difícil de quitar.
3. Caliente previamente la plancha durante 5 minutos. El calentar despacio la plancha previamente asegurará una distribución uniforme del calor y evitará que la misma se pandee.
4. Para el precalentamiento y la cocción, ponga el quemador frontal en el ajuste de calor más bajo y el quemador posterior en el ajuste de calor medio alto, para un mejor rendimiento.

NOTA: La plancha también puede usarse sobre la rejilla lateral izquierda. Para obtener mejores resultados, deberá fijarse el quemador posterior en el ajuste Medium-Low (Medio - Bajo) o Medium (Medio) y el quemador frontal deberá fijarse en el ajuste Low (Bajo).

Para limpiar la plancha:

1. Deje que se enfríe la plancha y vacíe la bandeja para goteos.
2. Vea las instrucciones de limpieza en la sección "Limpieza general".
3. Guarde la plancha en un área fresca y seca.

Quemadores de superficie sellados



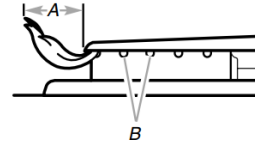
- A. Tapa del quemador
- B. Base del quemador
- C. Espigas de alineación
- D. Encendedor
- E. Abertura del tubo de gas

IMPORTANTE: No obstruya el flujo de aire de combustión y ventilación alrededor de los bordes de las rejillas de los quemadores.

Tapa del quemador: Siempre mantenga la tapa del quemador en su lugar cuando use un quemador de la superficie. Una tapa del quemador limpia ayudará a prevenir el encendido deficiente y las llamas desparejas. Siempre limpie la tapa del quemador después de un derrame; quite y limpie periódicamente las tapas según la sección "Limpieza general".

Alineamiento: Asegúrese de alinear la abertura del tubo de gas en la base del quemador con el soporte de orificio en la superficie de cocción y el electrodo encendedor con la muesca en la base del quemador.

Apertura del tubo de gas: Debe haber flujo libre de gas a través de la abertura del tubo de gas para que el quemador se encienda como es debido. Mantenga esa zona libre de suciedad y no permita que ingresen derrames, comida, agentes de limpieza ni otros materiales a la abertura del tubo de gas. Para mantener los derrames lejos de la abertura del tubo de gas, siempre use una tapa para el quemador.



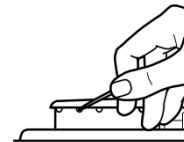
- A. 1 a 1 1/2" (2,5 a 3,8 cm)
- B. Orificios de los quemadores

Orificios de los quemadores: Revise las llamas de los quemadores ocasionalmente para verificar que tengan el tamaño y la forma adecuados, como se muestra en la ilustración anterior. Una buena llama es de color azul, no amarillo. Mantenga esa zona libre de suciedad y no deje que ingresen derrames, alimentos, agentes de limpieza ni otros materiales en los orificios de los quemadores.

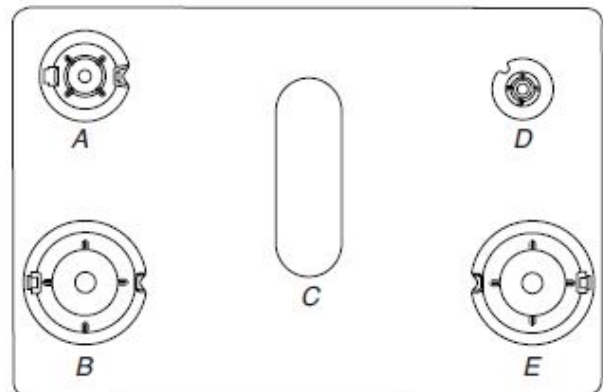
Para limpiar:

IMPORTANTE: Antes de limpiar, asegúrese de que todos los controles estén apagados y que la superficie de cocción esté fría. No use limpiadores para horno, blanqueador ni productos para quitar óxido. No lave en la lavavajillas.

1. Retire la tapa del quemador y la base del quemador y limpie como se indica en la sección "Limpieza general".
2. Limpie la abertura del tubo de gas con un paño húmedo.
3. Limpie los orificios del quemador obstruidos con un alfiler recto, como se muestra. No agrande ni deforme el orificio. No use un palillo de dientes de madera. Si se debe regular el quemador, póngase en contacto con un especialista en reparaciones capacitado.

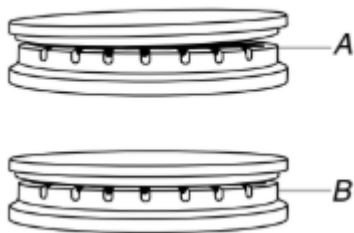


4. Vuelva a colocar la base del quemador. La base de cada quemador redondo está marcada con una letra que indica el tamaño del quemador. Vea la ilustración siguiente para las posiciones de los quemadores.



- A. Mediana (Semirápido)
- B. Grande (Ultrarápido)
- C. Oval (Ovalado)
- D. Pequeña (Auxiliar)
- E. Grande (Ultrarápido)

5. Vuelva a colocar la tapa del quemador y asegúrese de que las espigas de alineamiento estén debidamente alineadas con la tapa del quemador.



A. Incorrect
B. Correct

6. Coloque las tapas de los quemadores sobre las bases de los quemadores apropiados.

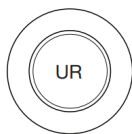
IMPORTANTE: Las bases de las tapas pequeñas y medianas son distintas. No coloque una tapa de quemador equivocada sobre la base del quemador.



Tapa pequeña
(Auxiliar)



Tapa mediana
(Semirápido)



Tapa grande
(Ultrarápido)

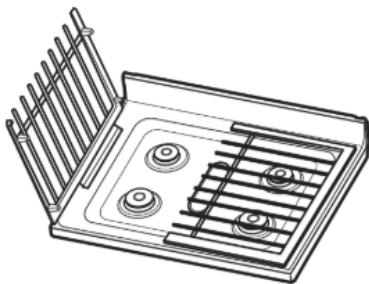
7. Encienda el quemador. Si el quemador no se enciende, verifique la alineación de la tapa. Si el quemador todavía no se enciende, ciérrelo. No intente reparar el quemador por su cuenta. Póngase en contacto con un especialista en reparaciones capacitado.

Rejillas de hierro forjado con bisagras EZ-2-Lift™

Las rejillas deben colocarse correctamente antes de cocinar. Cuando están bien colocadas, las rejillas deben quedar al ras y niveladas. La instalación incorrecta de las rejillas puede dar como resultado desportillados o rayas en la superficie de cocción.

La superficie de cocción tiene rejillas con bisagras para facilitar la limpieza. Las bisagras giran hacia un lado para facilitar el acceso debajo de las rejillas.

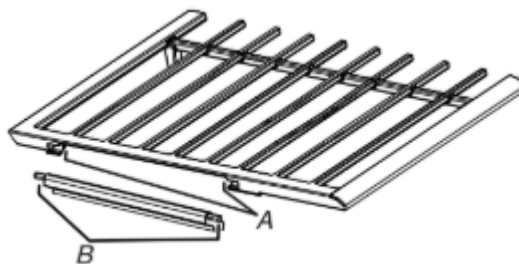
Las rejillas se detendrán una vez que se muevan a su posición vertical (completamente abierta). Se requiere una separación mínima de 20" (50,8 cm) desde el mostrador hasta los gabinetes/electrodomésticos superiores para poder abrir por completo las rejillas.



Asegúrese de regresar las rejillas a su posición normal (abajo) una vez que se complete la limpieza

Las rejillas se pueden retirar para limpiar.

Para fijar las rejillas en las bisagras, inserte la ranura de la rejilla sobre el pasador de la bisagra en el costado de la superficie de cocción. Asegúrese de mantener la rejilla en ángulo sobre la superficie de cocción para evitar rayar la superficie de cocción hasta que la rejilla se asiente sobre el pasador de la bisagra; después, descienda la rejilla sobre la superficie de cocción.



A. Ranura de la rejilla
B. Pasador de la bisagra

A pesar de que las rejillas de los quemadores son duraderas, perderán gradualmente el brillo y/o cambiarán de color debido a las altas temperaturas de la llama de gas.

Utensilios de cocina

IMPORTANTE: No deje utensilios de cocina vacíos sobre una zona de cocción, un elemento o un quemador de superficie que estén calientes.

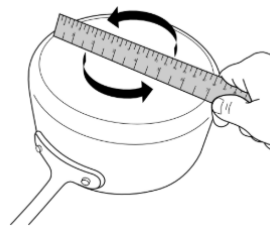
El utensilio de cocina ideal debe tener fondo plano, lados rectos, una tapa que encaje bien y el material debe ser de grosor mediano a pesado.

Los acabados ásperos pueden rayar la superficie de cocción o las bobinas de encendido. El aluminio y el cobre pueden usarse como centro o base del utensilio de cocina. Sin embargo, cuando se usen como base pueden dejar marcas permanentes en las superficies.

El material de los utensilios de cocina es un factor que influye en la rapidez y la uniformidad con que se transmite el calor, lo cual afecta los resultados de la cocción. Un acabado antiadherente tiene las mismas características que su material de base. Por ejemplo, un utensilio de cocina de aluminio con un acabado antiadherente tendrá las mismas propiedades que el aluminio.

No deben usarse utensilios de cocina con superficies antiadherentes bajo el asador.

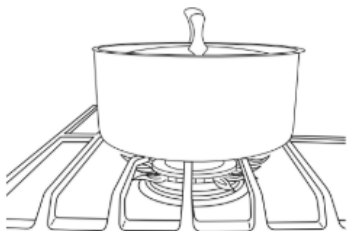
Verifique si está plano colocando el borde derecho de una regla a lo largo del fondo del utensilio de cocina. Mientras rota la regla, no debe verse espacio ni luz entre la regla y el utensilio de cocina.



Utilice la siguiente tabla como guía para ver las características de los materiales de los utensilios de cocina.

Utensilios de cocina	Características
Aluminio	<ul style="list-style-type: none"> ■ Se calienta de manera rápida y uniforme. ■ Adecuado para todos los tipos de cocción. ■ Los espesores medianos o pesados son óptimos para la mayoría de los trabajos de cocción. ■ Pueden dejar residuos de aluminio, que se reducirán si se limpian inmediatamente después de la cocción.
Hierro fundido	<ul style="list-style-type: none"> ■ Se calienta de manera lenta y uniforme. ■ Es adecuado para dorar y freír. ■ Mantiene el calor para una cocción lenta. ■ Los bordes ásperos o las rebabas podrían rayar la superficie de cocción.
Cerámica o vidrio de cerámica	<ul style="list-style-type: none"> ■ Siga las instrucciones del fabricante. ■ Calienta de manera lenta pero desigual. ■ Da resultados ideales con los ajustes de calor bajo a medio. ■ Podría rayar la superficie de cocción.
Cobre	<ul style="list-style-type: none"> ■ Se calienta de manera rápida y uniforme. ■ Puede dejar residuos de cobre, que disminuirán si se limpia inmediatamente después de la cocción. ■ Puede dejar manchas o adherencias permanentes en la superficie de cocción si se calienta en exceso.
Barro cocido	<ul style="list-style-type: none"> ■ Siga las instrucciones del fabricante. ■ Use con ajustes de calor bajos. ■ Podría rayar la superficie de cocción.
Hierro fundido o acero esmaltado	<ul style="list-style-type: none"> ■ Vea acero inoxidable o hierro fundido. ■ Los utensilios para hornear con esmalte de porcelana que no tengan la base de metal podrían pegarse a la superficie de cocción si se calientan en exceso.
Acero inoxidable	<ul style="list-style-type: none"> ■ Se calienta de manera rápida pero no uniforme. ■ Un centro o una base de aluminio o cobre sobre acero inoxidable proporciona un calor uniforme.

Para obtener resultados óptimos, el recipiente de cocción deberá estar centrado encima del quemador con la base nivelada sobre la rejilla. Deberá regularse la llama para que no se eleve por los costados del recipiente.



Envasado casero

Al preparar envasados durante períodos prolongados, alterne el uso de los quemadores de superficie entre cada lote. Esto le da tiempo a que se enfríen las áreas que se han usado recientemente.

- Centre el recipiente para envasado sobre la rejilla, encima del quemador.
- No coloque el recipiente para envasado sobre 2 quemadores de superficie a la vez.
- Para obtener más información, póngase en contacto con la oficina local de extensión del departamento de agricultura o consulte guías publicadas para envasado casero. También pueden ofrecer ayuda las compañías que fabrican productos para envasado casero

USO DEL HORNO

Durante el funcionamiento normal de la estufa pueden escucharse varios ruidos cada vez que se encienden los quemadores para hornear o asar a la parrilla durante el ciclo de cocción:

- Es posible que las válvulas de gas hagan un sonido de estallido cuando se abran o se cierren
- Los encendedores harán un chasquido varias veces hasta que se detecte una llama
- Se escucha un sonido de "puf" cuando se enciende el quemador de hornear o el de asar a la parrilla.

Los olores y el humo son normales cuando el horno se use las primeras veces o cuando tenga mucha suciedad.

IMPORTANTE: La salud de algunas aves es sumamente sensible a los gases emanados. La exposición a los gases puede ocasionar la muerte de ciertas aves. Traslade siempre las aves a otro cuarto cerrado y bien ventilado.

NOTA: El ventilador de convección se apagará cuando se abra la puerta del horno. Si la puerta del horno permanece abierta por mucho tiempo, los elementos calentadores no funcionarán hasta que se cierre la puerta del horno. Todos los temporizadores, incluidas las funciones de Cook Time (Tiempo de cocción) y Timed Cook (Cocción programada), continuarán la cuenta regresiva.

Controles electrónicos del horno

Pantalla de control

La pantalla destellará cuando se encienda o después de un corte de corriente. Presione la tecla Cancel (Cancelar) para borrar. Cuando el horno no está en uso, se muestra la hora del día. Si la estufa está en modo Energy Save (Ahorro de energía), la pantalla estará en blanco cuando no esté en uso.

Tonos

Los tonos son señales audibles que indican lo siguiente:

Un tono

- Se presionó un botón válido
- El horno se precalentó (tono largo)
- Se ha ingresado una función
- Señal recordatoria (en algunos modelos), que se repite cada minuto después de los tonos de fin de ciclo

Tres tonos

- Se presionó un botón inválido

Cuatro tonos

- Fin del ciclo

Use el botón de SETTINGS (Ajustes) para cambiar los ajustes de tono.

Energy Save (Ahorro de energía)

El modo Energy Save (Ahorro de energía) sitúa la estufa en reposo y reduce el consumo de energía.

Para activar el modo de ahorro de energía:

1. Presione SETTINGS (Ajustes) hasta que aparezca en la pantalla "Energy saver on." (Ahorro de energía encendido).

2. Presione "1" para activar.

Para desactivar el modo de ahorro de energía:

1. Presione SETTINGS (Ajustes) hasta que aparezca en la pantalla "Energy saver off." (Ahorro de energía apagado).

2. Presione "1" para desactivar.

Reloj

El reloj puede usar un ciclo de 12 o 24 horas.

1. Presione la tecla reloj.
2. Presione 1 para la configuración automática o 2 para la configuración manual.
3. Presione "3" para AM o "6" para PM.
4. Utilice las teclas numéricas para fijar la hora.
5. Presione la tecla inicio para guardar el ajuste.

Ajustes

Muchas características del control del horno pueden regularse para satisfacer sus necesidades personales. Estos cambios se realizan con la tecla Settings (Ajustes).

Use la tecla Settings (Ajustes) para desplazarse por las características que pueden cambiarse. Cada vez que presione la tecla Settings (Ajustes), la pantalla avanzará hasta el próximo ajuste. Después de seleccionar la función que va a cambiar, el control le indicará qué tecla debe presionar. Presione las teclas inicio o cancelar para salir y para que se muestre la hora del día. En las secciones a continuación, se explican los detalles de todos los cambios en las características.

Presione la tecla cancelar para salir del modo Settings (Ajustes).

Fahrenheit y Celsius

La temperatura está prefijada en Fahrenheit, pero puede cambiarse a Celsius.

Para cambiarla:

1. Presione SETTINGS (Ajustes) hasta que aparezca en la pantalla "TEMP UNIT" (Unidad de temperatura).
2. Aparecerá el ajuste actual.
3. Presione 1 para configurar el ajuste.
4. Presione las teclas inicio o cancelar para salir y para que se muestre la hora del día.

Audible Tones Disable (Deshabilitar los tonos audibles)

Apaga todos los tonos, incluso el de fin de ciclo y los tonos de las teclas. Los tonos recordatorios permanecen activados cuando todos los tonos se han desactivado.

1. Presione SETTINGS (Ajustes) hasta que aparezca en la pantalla "SOUND" (Sonido).
2. Aparecerá el ajuste actual.
3. Presione 1 para configurar el ajuste.
4. Presione las teclas inicio o cancelar para salir y para que se muestre la hora del día.

Volumen de sonido

Fija la intensidad del tono en alta o baja.

1. Presione SETTINGS (Ajustes) hasta que aparezca en la pantalla "SOUND VOLUME" (Volumen de sonido).
2. Aparecerá el ajuste actual.
3. Presione 1 para configurar el ajuste.
4. Presione las teclas inicio o cancelar para salir y para que se muestre la hora del día.

End of Cycle Tone (Tono de fin de ciclo)

Activa o apaga los tonos que se escuchan al final de un ciclo.

1. Presione SETTINGS (Ajustes) hasta que aparezca en la pantalla "END TONE" (Tono de final).
2. Aparecerá el ajuste actual.
3. Presione 1 para configurar el ajuste.
4. Presione las teclas inicio o cancelar para salir y para que se muestre la hora del día.

Tonos del teclado

Permite activar o apagar los tonos que suenan al presionarse una tecla.

1. Presione SETTINGS (Ajustes) hasta que aparezca en la pantalla "KEYPRESS TONE" (Tono de Teclas).
2. Aparecerá el ajuste actual.
3. Presione 1 para configurar el ajuste.
4. Presione las teclas inicio o cancelar para salir y para que se muestre la hora del día.

Reminder Tones Disable (Deshabilitar los tonos recordatorios)

Apaga el tono breve que se repite cada 1 minuto después de los tonos de fin de ciclo.

1. Presione SETTINGS (Ajustes) hasta que aparezca en la pantalla "REMINDER TONE" (Tono recordatorio).
2. Aparecerá el ajuste actual.
3. Presione 1 para configurar el ajuste.
4. Presione las teclas inicio o cancelar para salir y para que se muestre la hora del día.

Reloj de 12/24 horas

1. Presione SETTINGS (Ajustes) hasta que en la pantalla aparezca "12/24 HOUR" (12/24 horas).
2. Aparecerá el ajuste actual.
3. Presione 1 para configurar el ajuste.
4. Presione las teclas inicio o cancela para salir y para que se muestre la hora del día.

Modo de demostración

IMPORTANTE: Esta característica está destinada al uso en el salón de ventas con una conexión eléctrica de 120 V y permite demostrar las características de control sin que se encienda el horno. Si se activa esta característica, el horno no funcionará.

1. Presione SETTINGS (Ajustes) hasta que aparezca en la pantalla "DEMO MODE" (Modo de demostración).
2. Aparecerá el ajuste actual.
3. Presione 1 para configurar el ajuste.
4. Presione las teclas inicio o cancelar para salir y para que se muestre la hora del día.

Modo Sabbath (Día de descanso)

El modo Sabbath (Día de descanso) fija el horno para que permanezca encendido con un ajuste para hornear hasta que se apague.

Cuando se fije el modo Sabbath (Día de descanso), solamente funcionará el ciclo Bake (Hornear). Todos los demás ciclos de cocción y limpieza estarán deshabilitados. No sonará ningún tono y la pantalla no indicará los cambios de temperatura.

Cuando se abra o se cierre la puerta del horno, la luz no se encenderá ni apagará y los elementos calentadores no se encenderán ni apagaran de inmediato.

Para activar la función Sabbath Mode (Día de descanso) (solo una vez):

1. Presione SETTINGS (Ajustes) hasta que aparezca en la pantalla "SABBATH" (Día de descanso).
2. Aparecerá el ajuste actual.
3. Presione 1 para configurar el ajuste.

4. Presione las teclas inicio o cancelar para salir y para que se muestre la hora del día.

Apagado después de 12 horas

El control del horno se fija para apagarlo automáticamente 12 horas después de que haya comenzado la función de cocción o de limpieza. Esto no interferirá con ninguna función de cocción programada ni diferida.

1. Presione SETTINGS (Ajustes) hasta que aparezca en la pantalla "12Hr AUTO_OFF" (Apagado después de 12 Horas).
2. Aparecerá el ajuste actual.
3. Presione 1 para configurar el ajuste.
4. Presione las teclas inicio o cancelar para salir y para que se muestre la hora del día.

Idiomas - Texto que se desplaza en la pantalla

Las opciones de idioma son inglés, español y francés.

1. Presione SETTINGS (Ajustes) hasta que aparezca en la pantalla "LANGUAGE" (Idioma).
2. Aparecerá el ajuste actual.
3. Presione 1 o 2 para seleccionar el idioma deseado.
4. Presione las teclas inicio o cancelar para salir y para que se muestre la hora del día.

Control de compensación de la temperatura del horno

IMPORTANTE: No use un termómetro para medir la temperatura del horno. Los elementos se encenderán y se apagarán según sea necesario para brindar una temperatura uniforme, pero es posible que funcione en algún momento ligeramente caliente o frío a causa de este ciclo. La mayoría de los termómetros son lentos para reaccionar a los cambios de temperatura y no brindarán una lectura precisa a causa de este ciclo.

El horno proporciona temperaturas exactas; sin embargo, es posible que cocine más rápido o más despacio que su horno anterior, de manera que se puede ajustar la temperatura para adecuarla a sus necesidades de cocción. Puede cambiarse a Fahrenheit o a Celsius.

Para ajustar la temperatura del horno:

1. Presione SETTINGS (Ajustes) hasta que aparezca en la pantalla "TEMP CALIB" (Calibración de temperatura).
2. En algunos modelos, presione 1 para ajustar la calibración de la temperatura del cajón. Presione inicio, espere 10 segundos hasta que cambie la pantalla, y continúe con el paso 3.

O BIEN

Presione la tecla Start (Inicio) para ajustar la calibración de la temperatura del horno. Espere 10 segundos hasta que cambie la pantalla y continúe con el paso 3.

3. Presione 3 para aumentar la temperatura en incrementos de 5 °F (3 °C), o presione la tecla 6 para disminuir la temperatura en incrementos de 5 °F (3 °C). La escala de desviación es de -30 °F a +30 °F (de -18 °C a +18 °C).
4. Presione las teclas inicio o cancelar para salir y para que se muestre la hora del día.

Modo Sabbath

El modo Sabbath (Día de descanso) fija el horno para que permanezca encendido en un ajuste para hornear hasta que se apague.

Cuando se fije el modo Sabbath (Día de descanso), solamente funcionará el ciclo Bake (Hornear). Todos los demás ciclos de cocción y limpieza estarán deshabilitados. No sonará ningún tono y la pantalla no indicará los cambios de temperatura.

Cuando se abra o se cierre la puerta del horno, la luz no se encenderá ni apagará y los elementos calentadores no se encenderán ni apagará de inmediato.

Para activar la función Sabbath Mode (Día de descanso) (solo una vez):

1. Presione SETTINGS (Ajustes) hasta que aparezca en la pantalla "SABBATH" (Día de descanso). "OFF. Press (1) for On" (Apagado. Presione [1] para On [Encendido]) y podrá avanzar en la pantalla.
2. Presione 1. "ON. Press (1) for Off" (Encendido. Presione [1] para Off [Apagado]) y podrá avanzar en la pantalla. El modo Sabbath (Día de descanso) se puede activar para hornear.
3. Presione las teclas inicio o cancelar para salir y para que se muestre la hora del día.

NOTA: Para desactivar el modo de día de descanso repita los pasos del 1 al 3 con el fin de cambiar el estado de "SABBATH ON" (activado) a "SABBATH OFF" (desactivado).

Para activar el modo Sabbath (Día de descanso):

1. Presione BAKE (Hornear).
2. Presione el teclado numérico para fijar una temperatura diferente de 350°F (177°C).
3. Presione la tecla inicio.
Para la cocción programada en modo Sabbath (Día de descanso), presione COOK TIME (Tiempo de cocción) y luego las teclas numéricas para fijar el tiempo de cocción deseado. Presione la tecla inicio.
4. Presione SETTINGS (Ajustes). Luego presione 7. Aparecerá "SAB" en la pantalla.

Para ajustar la temperatura (cuando el modo Sabbath [Día de descanso] está funcionando):

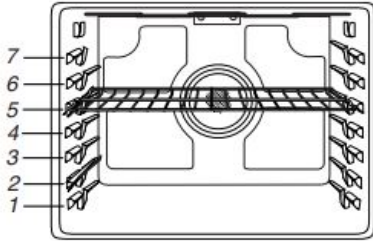
1. Presione la tecla numérica según se indique en el texto que se desplaza en la pantalla para seleccionar una nueva temperatura.
NOTA: El ajuste de temperatura no aparecerá en la pantalla y no sonará ningún tono. En la pantalla aparece el texto que había antes de presionar la tecla.
2. Presione la tecla inicio.

Para desactivar el modo Sabbath (Día de descanso):

Presione la tecla Settings (Ajustes) y luego 7 para volver al horneado normal o presione cancelar para apagar la estufa.

Colocación de las parrillas y los utensilios para hornear

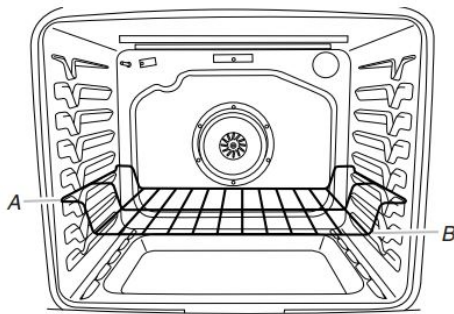
Use como guía la ilustración y las tablas siguientes.



El horno tiene 7 posiciones para una parrilla plana, como se muestra en la ilustración anterior y en la tabla a continuación.

Posición de parrilla plana	Tipo de alimento
7	Asar a la parrilla/dorar rápidamente carnes, hamburguesas y filetes
6	Carnes, pollo y pescado asados a la parrilla
3 o 4	La mayoría de los alimentos horneados, guisados, alimentos congelados
2	Carnes asadas
1	Asados o aves grandes

IMPORTANTE: Si su modelo tiene una parrilla de horno de máxima capacidad, los extremos en relieve deberán colocarse en la posición de parrilla por encima de la posición deseada para el alimento. Vea la siguiente ilustración.



A. Extremos de la parrilla en la posición 3
B. Alimento en la posición

IMPORTANTE: Estas posiciones de parrilla son para las parrillas planas. Si se usa una parrilla de horno de máxima capacidad, la posición de la parrilla debe ajustarse como se muestra en la figura anterior.

Utensilios para hornea

Para una cocción uniforme del alimento, el aire caliente debe poder circular. Deje 2" (5 cm) de espacio alrededor del utensilio para hornear y las paredes del horno. Asegúrese de que ningún utensilio para hornear esté directamente encima de otro

Cocción en varias parrillas

Dos parrillas (sin convección): Use las posiciones de parrilla 2 y 5 o 3 y 6.

Dos parrillas (con convección): Use las posiciones de parrilla 2 y 5 o 3 y 6.

Tres parrillas (con convección): Use las posiciones de parrilla 2 y 7 y una parrilla de horno de máxima capacidad en la posición de parrilla 5.

Cómo hornear y asar

Sistema de control de temperatura

El sistema de control de temperatura regula electrónicamente los niveles de calor del horno durante el precalentamiento y el horneado para mantener una temperatura precisa y obtener resultados de cocción óptimos. Los elementos o quemadores de hornear y asar a la parrilla tendrán ciclos con encendido y apagado a intervalos. En los modelos de estufa con convección, el ventilador funcionará durante el precalentamiento y es posible que se encienda y apague durante intervalos breves durante el horneado para producir resultados óptimos. Esta característica se activa automáticamente cuando el horno está en uso.

Antes de hornear o asar, coloque las parrillas según la sección "Posición de las parrillas y los utensilios para hornear". Al asar, no es necesario esperar a que termine el ciclo de precalentamiento del horno antes de colocar los alimentos, a menos que la receta de cocina lo recomiende.

Precalentamiento

Cuando comience un ciclo de horneado, horneado por convección o asado por convección, el horno comenzará a precalentarse luego de presionar el botón Start (Inicio). El horno tomará 12 a 15 minutos aproximadamente para alcanzar la temperatura de 350 °F (177 °C) con todas las parrillas del horno instaladas dentro de la cavidad de éste. Cuanto mayor es la temperatura, mayor tiempo tomará precalentar el horno. El ciclo de precalentamiento aumenta rápidamente la temperatura del horno. La temperatura actual del horno estará por encima de la temperatura fijada para compensar la pérdida de calor cuando se abra la puerta del horno para introducir el alimento. Esto asegura que el horno estará en la temperatura adecuada cuando coloque el alimento en el horno. Introduzca el alimento cuando suene el tono de precalentamiento. No abra la puerta durante el precalentamiento antes de que suene el tono.

Precalentamiento rápido

Puede usarse Rapid Preheat (precalentamiento rápido) para acortar el tiempo de precalentamiento. Deberá usarse solamente una parrilla estándar plana para horno durante el precalentamiento rápido. Las parrillas adicionales deben quitarse antes de utilizar Rapid Preheat (precalentamiento rápido). El ciclo de precalentamiento debe completarse antes de colocar los alimentos en el horno. Cuando se haya terminado el ciclo de precalentamiento rápido, el horno pondrá en marcha un ciclo Bake (Horneado) normal.

IMPORTANTE: El precalentamiento rápido se debe utilizar únicamente para hornear con una sola parrilla.

Temperatura del horno

Mientras está en uso, los elementos del horno se encenderán y se apagarán según sea necesario para mantener una temperatura constante, pero es posible que funcione en algún momento ligeramente caliente o frío a causa de este ciclo. Si se abre la puerta del horno mientras se encuentra en uso, se liberará aire caliente y el horno se enfriará, lo que podría afectar el tiempo y rendimiento de cocción. Se recomienda usar la luz del horno para controlar el progreso de cocción

NOTA: En los modelos con convección, el ventilador de convección puede funcionar en el modo de horneado sin convección para mejorar el rendimiento del horno.

Frozen Bake™

La tecnología Frozen Bake™ regula automáticamente el tiempo de horneado fijado por el fabricante mediante la combinación de precalentamiento y horneado con el fin de ofrecer excelentes resultados con alimentos congelados envasados sin necesidad de espera. Se pueden elegir seis opciones preprogramadas para alimentos: Pizza, Lasaña, Croquetas, Patatas fritas, Pay, y Comida. Los ciclos Frozen Bake™ se han adaptado para funcionar únicamente con estos alimentos. Cuando se utilice la tecnología Frozen Bake™, es importante seguir todas las instrucciones del fabricante respecto a la ventilación, la cobertura, la agitación o la colocación en una hoja de hornear para asegurar un resultado óptimo. Al cocinar alimentos congelados, solo se deben cocinar los que contengan instrucciones para cocinarlos en un horno convencional. Coloque el recipiente en el centro de la parrilla y seleccione una de las posiciones de parrilla recomendadas para el horneado de congelados en la sección "Posición de las parrillas y los utensilios para hornear" y hornee un solo paquete o charola por vez. Utilice la temperatura y el tiempo de horneado máximo recomendados en el paquete.

Un sonido le indicará que debe comprobar si los alimentos están hechos antes de que se complete el tiempo de cocción y nuevamente al finalizar el tiempo de cocción. La pantalla le indicará que agregue tiempo de cocción si lo desea o que finalice el ciclo.

Cómo asar a la parrilla

Cuando ase a la parrilla, precaliente el horno durante 5 minutos antes de colocar los alimentos, a menos que se recomiende otra cosa en la receta. Coloque el alimento sobre la parrilla, en una charola para asar, después colóquelo en el centro de la parrilla del horno.

IMPORTANTE: Cierre la puerta para asegurar la temperatura adecuada para asar.

Para obtener un control más preciso al cocinar, cambie la temperatura mientras esté asando al gusto. Cuanto más bajo sea el ajuste de asar a la parrilla, más lenta será la cocción. Los cortes más gruesos y los pedazos de carne, pescado y aves con forma irregular se pueden cocinar mejor a ajustes para asar a la parrilla más bajos. Use las parrillas 6 ó 7 para asar a la parrilla. Consulte la sección "Posición de las parrillas y los utensilios para hornear" para obtener más información.

■ Para obtener los mejores resultados, utilice una charola para asar y una parrilla. Se han diseñado para drenar el jugo y ayudar a evitar salpicaduras y humo.

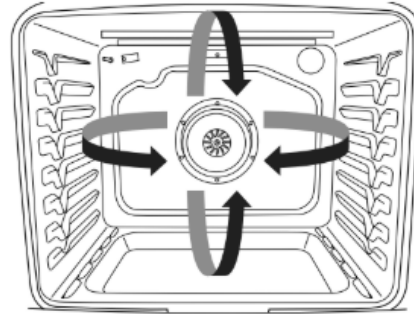
Si desea comprar una charola para asar, puede hacer un pedido de la misma. Para obtener información de contacto, consulte la Guía rápida de inicio.

NOTA: Los olores y el humo son normales cuando el horno se use las primeras veces o si tiene mucha suciedad.

Cocción por convección

Hace que los ciclos de cocción por convección (con ventilador) enciendan y apaguen el quemador de horneado a intervalos, mientras el ventilador hace circular aire caliente. Este movimiento de aire caliente ayuda a mantener una temperatura uniforme en todo el horno, cocina los alimentos más uniformemente y deja las superficies crujientes a la vez que atrapa la humedad y hace que los panes salgan con cortezas más crujientes.

IMPORTANTE: Con la cocción por convección, la mayoría de los alimentos pueden cocerse a una temperatura más baja o en menos tiempo. Esta estufa reduce automáticamente la temperatura fijada del horno en 25°F (15°C) para la cocción por convección.



Los elementos de horneado, asado a la parrilla y convección se encienden y se apagan en intervalos durante la cocción por convección, para mantener la temperatura del horno mientras el ventilador hace que el aire caliente circule.

NOTA: El ventilador de convección se encenderá aproximadamente a los 5 minutos de cualquier ciclo de convección.

Si se abre la puerta del horno durante la cocción por convección, el ventilador se apagará de inmediato. Se encenderá nuevamente cuando se cierre la puerta del horno.

NOTA: La puerta del horno debe estar cerrada para asar a la parrilla por convección.

Convección (verdadera) y Convección (con ventilador)

Cuando hornee, ase a la parrilla o ase por convección, ingrese su temperatura normal para hornear. El control reducirá automáticamente la temperatura fijada del horno en 25°F (15°C).

Opciones de convección

Horneado por convección: horneado en varias parrillas para galletas, bizcochos, panes, guisados, tartas, tortas y pasteles.

Asar por convección: pollo o pavo entero, verduras, asados de cerdo y de carne de res.

Asar a la parrilla por convección: cortes más gruesos o piezas de carne, pescado o ave de forma irregular.

Cómo hacer leudar el pan

Al leudar el pan, la masa se prepara para el horneado activando la levadura. Siga las instrucciones de la receta como guía. El leudado estándar deberá usarse para la masa fresca, la masa descongelada y para el primer y segundo leudado.

Para leudar:

Antes del primer leudado, coloque la masa en un tazón ligeramente engrasado y cúbrala de modo flojo con papel encerado revestido de manteca. Coloque en la guía 2 de la parrilla y cierre la puerta del horno.

NOTA: Si la temperatura del horno es mayor de 120°F (49°C), la pantalla indicará "Oven Cooling" (Horno enfriándose) hasta que la temperatura esté por debajo de 120°F (49°C).

1. Presione PROOF (Leudar).
2. Presione la tecla inicio.

Deje que la masa se esponje hasta que esté casi al doble de su tamaño. El tiempo de leudado puede variar según el tipo y la cantidad de masa.

3. Presione la tecla cancelar cuando haya terminado de leudar.

Antes de poner a leudar la masa por segunda vez, dele forma, colóquela en la (las) charola(s) para hornear y luego, cúbrala ligeramente. Siga los mismos pasos detallados anteriormente para ubicar y controlar la masa. Quite la cubierta antes de hornear.

NOTA: Si la temperatura del horno es mayor de 120°F (49°C), la pantalla indicará "Oven cooling" (Horno enfriándose) hasta que la temperatura esté por debajo de 120°F (49°C).

Tiempo de cocción (en algunos modelos)

Para fijar una cocción programada:

1. Presione BAKE o BROIL (Hornear o Asar), o CONVECT (Cocción por convección) hasta que el modo de cocción por convección deseado aparezca en la pantalla.
2. Presione las teclas numéricas para ingresar una temperatura diferente de la que aparece en la pantalla.
3. Presione COOK TIME (Tiempo de Cocción). La luz indicadora de tiempo de cocción del horno se iluminará.
4. Presione las teclas numéricas para ingresar la duración del tiempo de cocción.
5. Presione la tecla inicio. En la pantalla aparecerá la cuenta regresiva del tiempo. Cuando finalice el tiempo, el horno se apagará automáticamente.
6. Presione la tecla cancelar para borrar la pantalla.

Para fijar una cocción programada diferida:

1. Presione BAKE o BROIL (Hornear o Asar), o CONVECT (Cocción por convección) hasta que el modo de cocción por convección deseado aparezca en la pantalla.
2. Presione las teclas numéricas para ingresar una temperatura diferente de la que aparece en la pantalla.
3. Presione COOK TIME (Tiempo de Cocción). La luz indicadora de tiempo de cocción del horno se iluminará. Presione los botones numéricos para ingresar la duración del tiempo de cocción.
4. Presione DELAY START (Inicio diferido).
5. Presione las teclas numéricas para ingresar la cantidad de horas y/o minutos que quiera retrasar la hora de inicio.
6. Presione la tecla inicio.

El horno se encenderá automáticamente cuando haya alcanzado la hora de inicio. El ajuste de la temperatura y/o el tiempo se pueden cambiar en cualquier momento después de presionar inicio y repetir los pasos del 2 al 7. Cuando termine el tiempo de cocción fijado, el horno se apagará automáticamente.

7. Presione la tecla cancelar para borrar la pantalla.