

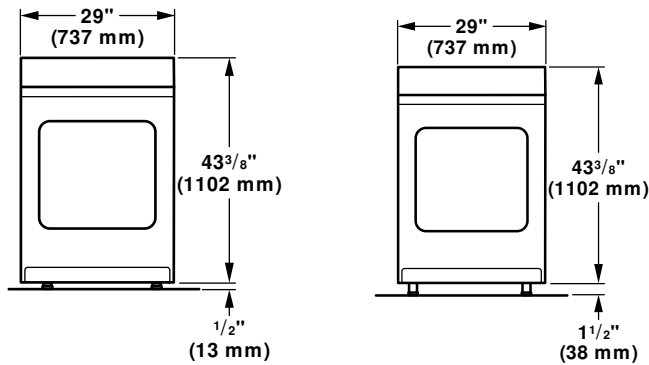


Gas Dryer

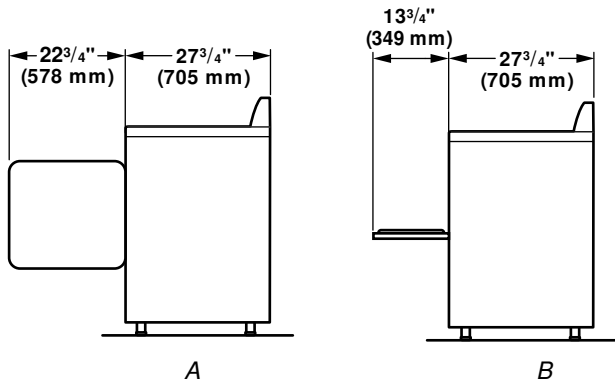
PRODUCT MODEL NUMBERS

WGD4800B, WGD4810B, WGD4850B, WGD4890B,
 WGD5500B, WGD5800B, WGD5810B, WGD4870B,
 WGD5000D, WGD4810E, WGD4815E, WGD4915E,
 WGD4975E, WGD4616F, WGD4916F

29" Wide Models Dryer Dimensions

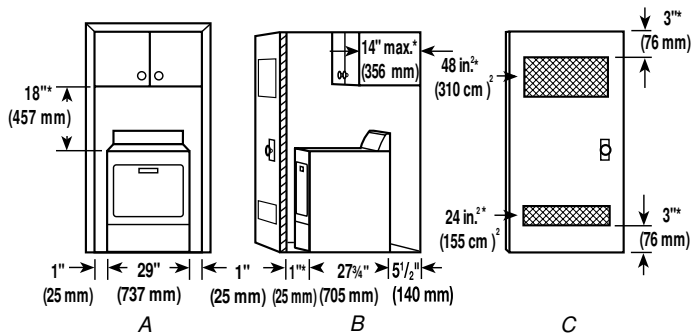


NOTE: Leveling legs should be 1/2" (13 mm) (to match height of 3.6 cu. ft. capacity washer) or 1 1/2" (38 mm) (to match height of 3.8 cu. ft. capacity washer).



A. Wide opening side-swing door
 B. Wide opening hamper door

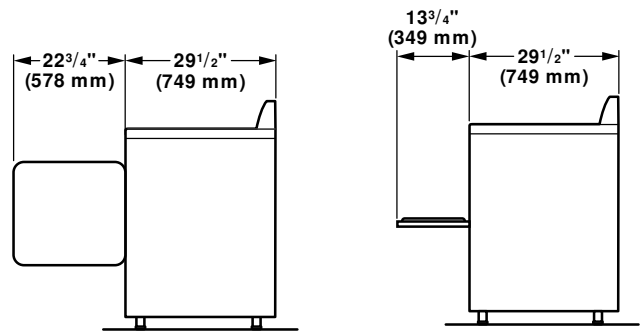
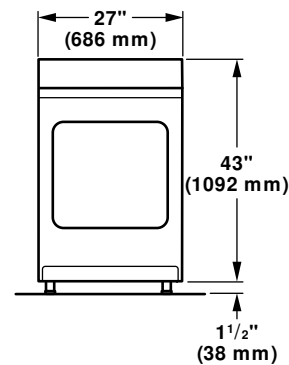
Installation Spacing



A. Recessed area
 B. Side view – closet or con ned area
 C. Closet door with vents

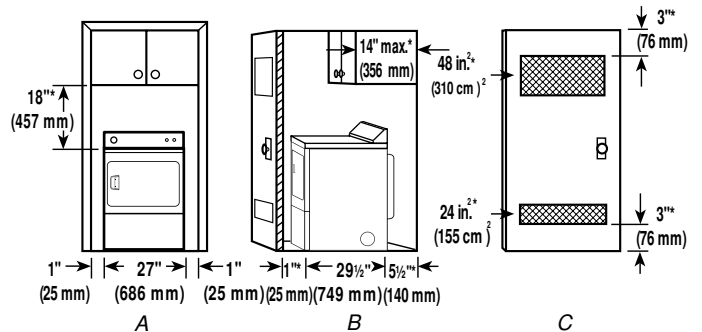
*Required spacing

27" Wide Models Dryer Dimensions



A. Wide opening side-swing door
 B. Wide opening hamper door

Installation Spacing



A. Recessed area
 B. Side view – closet or con ned area
 C. Closet door with vents

*Required spacing

Installation clearances:

The location must be large enough to allow the dryer door to open fully.

Most installations require a minimum 5½" (140 mm) clearance behind the dryer for the exhaust vent with elbow. See "Venting Requirements."

Installation spacing for recessed area or closet

The dimensions shown are for the minimum spacing allowed.

Additional spacing should be considered for ease of installation and servicing.

Additional clearances might be required for wall, door, and door moldings.

Additional spacing of 1" (25 mm) on all sides of the dryer is recommended to reduce noise transfer.

For closet installation, with a door, minimum ventilation openings in the top and bottom of the door are required. Louvered doors with equivalent ventilation openings are acceptable.

Companion appliance spacing should also be considered.

INSTALLATION REQUIREMENTS

GAS SUPPLY REQUIREMENTS

Gas supply: This dryer is equipped for use with Natural gas. Dryer can be converted to L.P. gas. When rigid pipe is used it should be 1/2" IPS. When acceptable to the gas supplier and local codes, 3/8" approved tubing may be used for lengths under 20 ft (6.1 m). For lengths over 20 ft (6.1 m), larger tubing should be used. Pipe-joint compounds resistant to the action of L.P. gas must be used. An individual manual shutoff valve must be installed within 6 ft (1.8 m) of the dryer in accordance with the National Fuel Gas Code ANSI Z223.1.

ELECTRICAL REQUIREMENTS

A 120-volt, 60 Hz, AC-only, 15 or 20 amp fused electrical supply is required. A time-delay fuse or circuit breaker and a separate circuit are recommended.

VENTING REQUIREMENTS

Exhaust venting: Exhaust your dryer to the outside. 4" (102 mm) diameter vent is required. Rigid or flexible metal exhaust vent must be used. Do not use plastic or metal foil vent. Exhaust hood must be at least 12" (305 mm) from the ground or any object that may be in the path of the exhaust.

Determine vent length and elbows needed for best drying performance:

Use following Vent System Chart to determine type of vent material and hood combinations acceptable to use.

NOTE: Do not use vent runs longer than those specified in Vent System Chart. Exhaust systems longer than those specified will:

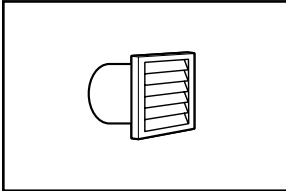
Shorten life of dryer.

Reduce performance, resulting in longer drying times and increased energy usage.

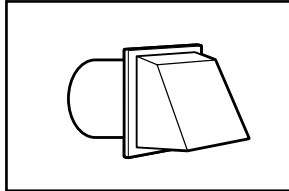
The "Vent System Chart" provides venting requirements that will help achieve best drying performance.

Exhaust hoods:

Recommended Styles:

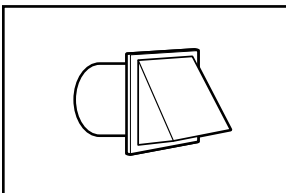


Louvered Hood



Box Hood

Acceptable Style:



Angled Hood

Determine vent path:

Select route that will provide straightest and most direct path outdoors.

Plan installation to use fewest number of elbows and turns.

When using elbows or making turns, allow as much room as possible.

Bend vent gradually to avoid kinking.

Use as few 90° turns as possible.

Vent System Chart

Number of 90° turns or elbows	Type of vent	Box/louvered hoods	Angled hoods
0	Rigid metal	64 ft. (20 m)	58 ft. (17.7 m)
1	Rigid metal	54 ft. (16.5 m)	48 ft. (14.6 m)
2	Rigid metal	44 ft. (13.4 m)	38 ft. (11.6 m)
3	Rigid metal	35 ft. (10.7 m)	29 ft. (8.8 m)
4	Rigid metal	27 ft. (8.2 m)	21 ft. (6.4 m)

NOTE: Side and bottom exhaust installations for 27" wide models have a 90° turn inside the dryer. To determine maximum exhaust length, add one 90° turn to the chart.

Vent System Chart (29" Wide Long Vent Models Only)

Number of 90° turns or elbows	Type of vent	Box/louvered, or Angled hoods
0	Rigid metal	120 ft. (36.6 m)
1	Rigid metal	110 ft. (33.5 m)
2	Rigid metal	100 ft. (30.5 m)
3	Rigid metal	90 ft. (27.4 m)
4	Rigid metal	80 ft. (24.4 m)
5	Rigid metal	70 ft. (21.3 m)