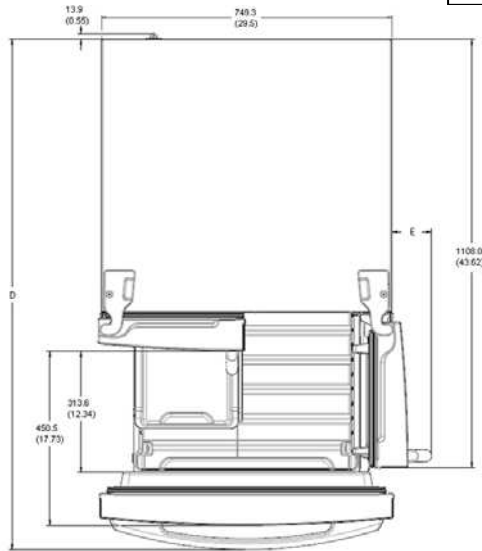


SEE NOTE 1 FOR DIMENSIONAL CLARIFICATION

Whirlpool

CORPORATION
RESEARCH AND ENGINEERING
REFRIGERATION PRODUCTS
EVANSVILLE, INDIANA 47727 U.S.A.

**ALL DIMENSIONS ARE IN MILLIMETERS
& INCHES IN PARENTHESES ()**



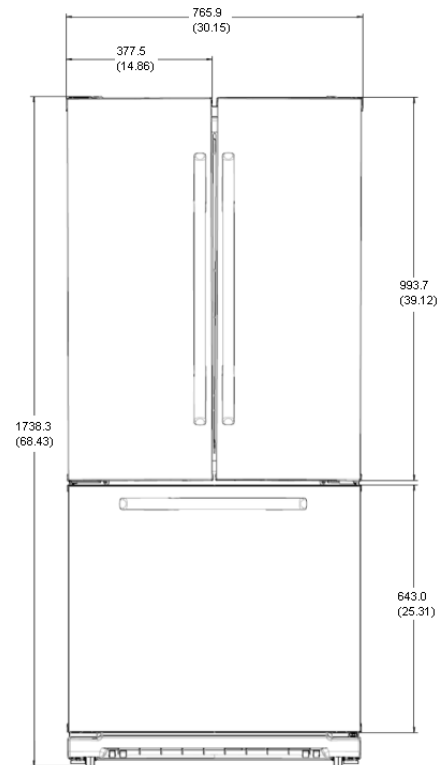
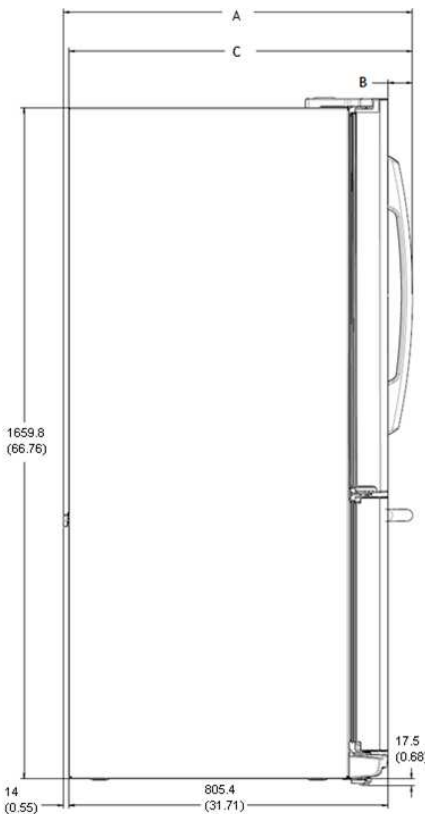
MINIMUM CABINET OPENING:

WIDTH 774.7 (30.5) - inside baseboard trim

HEIGHT 1726.7 (68) - w/ half depth upper cabinets
1747.5 (68.75) - w/ full depth upper cabinets

PACKAGING DIMENSIONS

| WIDTH | HEIGHT | DEPTH |
|----------------|-----------------|----------------|
| 819 (32.24) | 1773 (69.80) | 913 (35.94) |



TABULATION

| HANDLE GROUP | DIM A | DIM B | DIM C | DIM D | DIM E |
|--------------|------------------|----------------|------------------|-------------------|-----------------|
| WHIRLPOOL | 872.9 (34.37) | 54.2 (2.14) | 859.0 (33.82) | 1312.9 (51.69) | 94.1 (3.70) |
| KITCHEN AID | 883.7 (34.79) | 64.9 (2.56) | 869.7 (34.24) | 1322.9 (52.08) | 104.8 (4.13) |
| MAYTAG | 881.7 (34.71) | 62.3 (2.45) | 867.7 (34.16) | 1319.0 (51.93) | 102.8 (4.05) |

NOTES:

- 1) Door opening required to move product (with doors and base grille removed) 749.3 mm (29.5 in).

| REV | CHANGE | EN NO. | DATE | REV | CHANGE | EN NO. | DATE |
|-----|------------------------------------|--------|-------------|-----|--------|--------|------|
| A | RELEASE DIMENSION SPEC FOR XL FDBM | 661906 | 26-JUL-2011 | | | | |
| | | | | | | | |
| | | | | | | | |