



French Door Bottom Mount Refrigerator

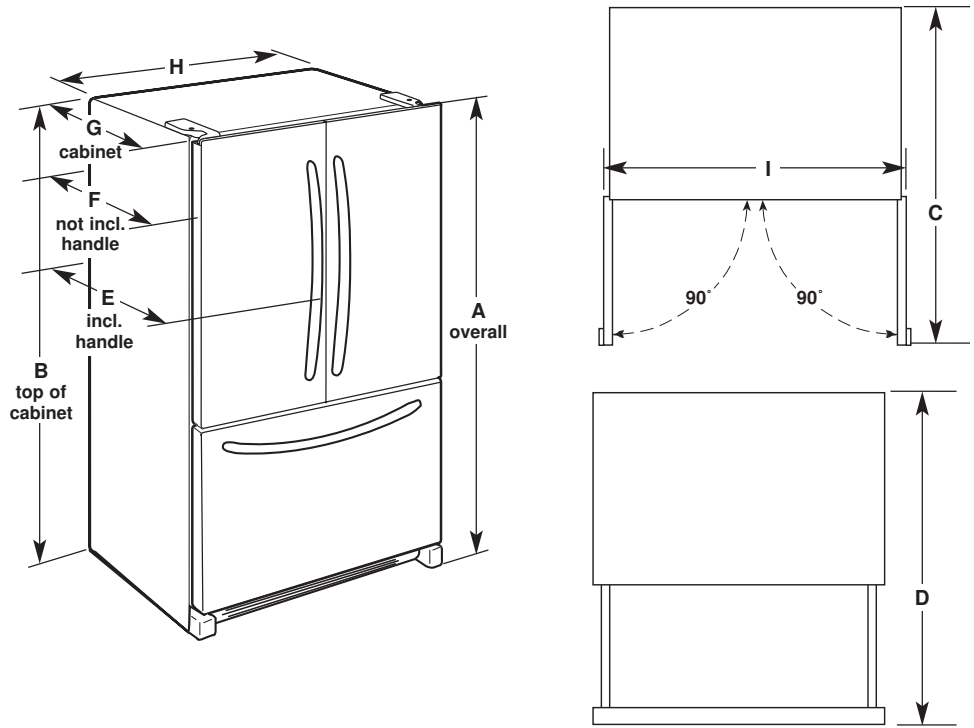
PRODUCT MODEL NUMBERS

WRF560SFH
WRFA60SFH

Electrical: A 115 V, 60 Hz., AC only, 15 or 20 A fused, grounded electrical supply is required. It is recommended that a separate circuit serving only your freezer be provided. Use an outlet that cannot be turned off by a switch. Do not use an extension cord.

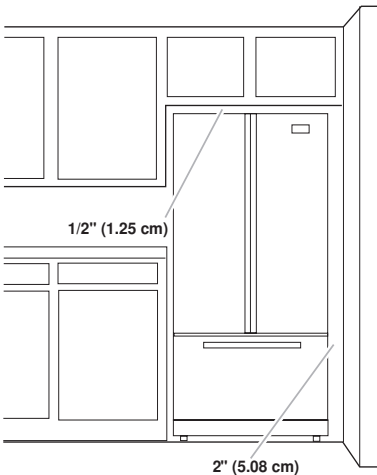
NOTE: Before performing any type of installation, cleaning, or removing a light bulb, turn the control (Thermostat, Refrigerator or Freezer Control depending on the model) to OFF and then disconnect the refrigerator from the electrical source. When you are finished, reconnect the refrigerator to the electrical source and reset the control (Thermostat, Refrigerator or Freezer Control depending on the model) to the desired setting. See "Using the Controls."

PRODUCT DIMENSIONS



| Model Number | Model Size | Height - Overall "A" | Height - Top of Cabinet "B" | Depth - Doors Open 90° "C" | Depth - Drawer Open "D" | Depth - With Handles "E" | Depth - Without Handles "F" | Depth - Cabinet Only "G" | Width - Cabinet "H" |
|------------------------|-------------------------|----------------------|-----------------------------|----------------------------|-------------------------|--------------------------|-----------------------------|--------------------------|---------------------|
| WRF560SFH WRFA60SFH | 20 cu. ft. (566.3 L) | 68½" (174.0 cm) | 67½" (171.4 cm) | 52½" (133.3 cm) | 51¼" (130.2 cm) | 34⅝" (87.9 cm) | 32⅝" (82.1 cm) | 27⅓" (70.7 cm) | 29½" (74.9 cm) |

LOCATION REQUIREMENTS



To ensure proper ventilation for your refrigerator, allow for a 1/2" (1.25 cm) of space on each side and at the top. Allow for a 1" (2.54 cm) space behind the refrigerator. If your refrigerator has an ice maker, allow extra space at the back for the water line connections. When installing your refrigerator next to a fixed wall, leave a 2" (5.08 cm) minimum space between the refrigerator and wall to allow the door to swing open.

NOTE: This refrigerator is intended for use in a location where the temperature ranges from a minimum of 55°F (13°C) to a maximum of 110°F (43°C). The preferred room temperature range for optimum performance, which reduces electricity usage and provides superior cooling, is between 60°F (15°C) and 90°F (32°C). It is recommended that you do not install the refrigerator near a heat source, such as an oven or radiator.