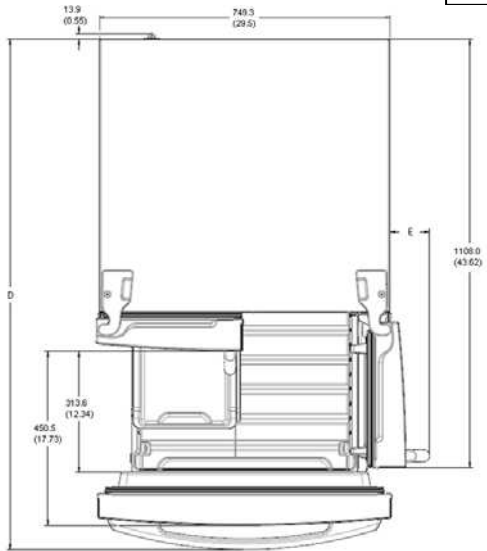


SEE NOTE 1 FOR DIMENSIONAL CLARIFICATION

**Whirlpool**  
CORPORATION  
RESEARCH AND ENGINEERING  
REFRIGERATION PRODUCTS  
EVANSVILLE, INDIANA 47727 U.S.A.

**ALL DIMENSIONS ARE IN MILLIMETERS  
& INCHES IN PARENTHESES ( )**



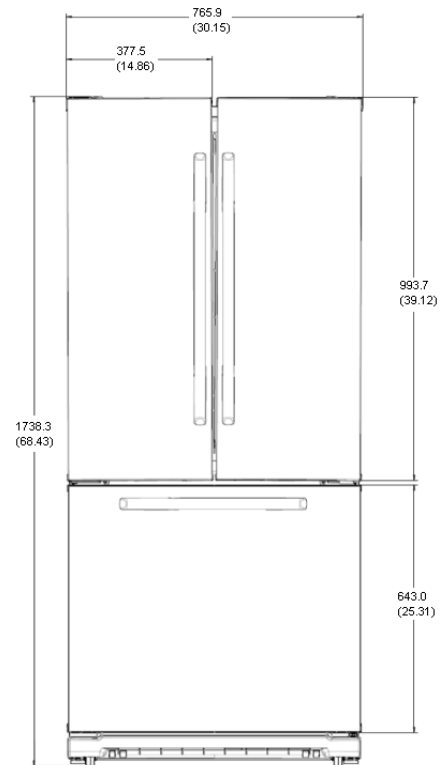
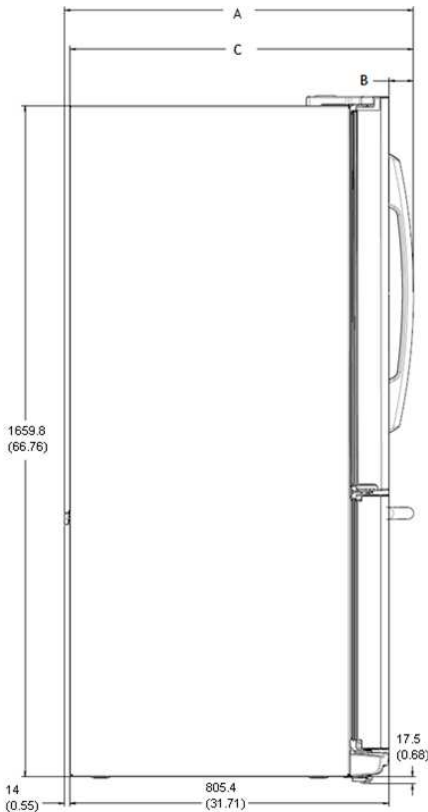
**MINIMUM CABINET OPENING:**

**WIDTH** 774.7 (30.5) - inside baseboard trim

**HEIGHT** 1726.7 (68) - w/ half depth upper cabinets  
1747.5 (68.75) - w/ full depth upper cabinets

**PACKAGING DIMENSIONS**

WIDTH	HEIGHT	DEPTH
819 (32.24)	1773 (69.80)	913 (35.94)



**TABULATION**

HANDLE GROUP	DIM A	DIM B	DIM C	DIM D	DIM E
WHIRLPOOL	872.9 (34.37)	54.2 (2.14)	859.0 (33.82)	1312.9 (51.69)	94.1 (3.70)
KITCHEN AID	883.7 (34.79)	64.9 (2.56)	869.7 (34.24)	1322.9 (52.08)	104.8 (4.13)
MAYTAG	881.7 (34.71)	62.3 (2.45)	867.7 (34.16)	1319.0 (51.93)	102.8 (4.05)

**NOTES:**

- 1) Door opening required to move product (with doors and base grille removed) 749.3 mm (29.5 in).

REV	CHANGE	EN NO.	DATE	REV	CHANGE	EN NO.	DATE
A	RELEASE DIMENSION SPEC FOR XL FDBM	661906	26-JUL-2011				