

PRODUCT MODEL NUMBERS

WUW35X15D WUW35X24D
 WUW55X15D WUW55X24D

ELECTRICAL: A 115 Volt, 60 Hz., AC only, 15– or 20–amp fused, grounded electrical supply is required. It is recommended that a separate circuit serving only your wine cellar be provided. Use an outlet that cannot be turned off by a switch. Do not use an extension cord.

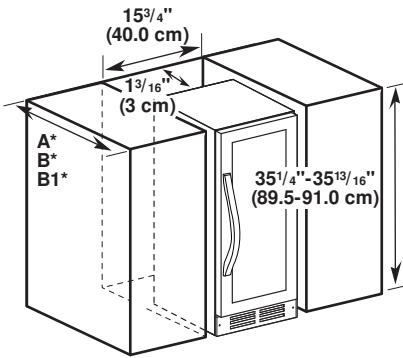
LOCATION REQUIREMENTS

- It is recommended that you do not install the wine cellar near an oven, radiator, or other heat source.
- Do not install in a location where the temperature will fall below 55°F (13°C). For best performance, do not install the wine cellar behind a cabinet door or block the base grille.

OPENING DIMENSIONS

- Height dimensions are shown with the leveling legs extended to the minimum height.
NOTE: When leveling legs are fully extended, add 5/8" (15 mm) to the height dimensions.
- If the floor of the opening is not level with the kitchen floor, shim the opening to make it level with the kitchen floor.

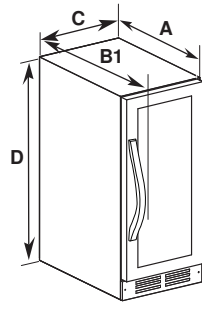
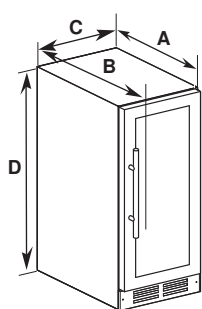
15" MODELS



Depth Dimensions	
A*	24 7/8" (63.2 CM) - W/O HANDLE
B*	26 5/8" (67.7 CM) - WUW35X15DS
B1*	26 7/8" (68.2 CM) - WUW55X15DS

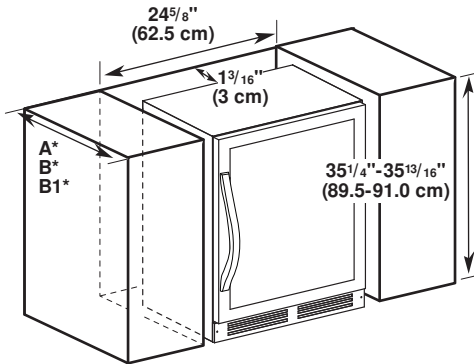
WUW35X15DS

WUW55X15DS



Dimensions	
A	21 7/8" (55.5 CM)
B	25 1/2" (64.7 CM)
B1	25 11/16" (65.2 CM)
C	15" (38.0 CM)
D	34 1/16" - 34 5/8" (86.5 CM - 88.0 CM)

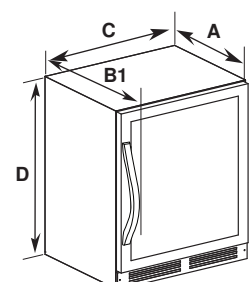
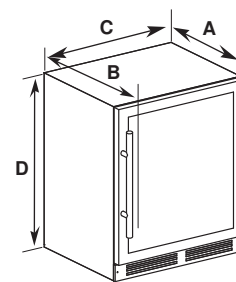
24" MODELS



Depth Dimensions	
A*	24 7/8" (63.2 CM) - W/O HANDLE
B*	26 5/8" (67.7 CM) - WUW35X24DS
B1*	26 7/8" (68.2 CM) - WUW55X24DS

WUW35X24DS

WUW55X24DS



Dimensions	
A	21 7/8" (55.5 CM)
B	25 1/2" (64.7 CM)
B1	25 11/16" (65.2 CM)
C	23 13/16" (60.5 CM)
D	34 1/16" - 34 5/8" (86.5 CM - 88.0 CM)