

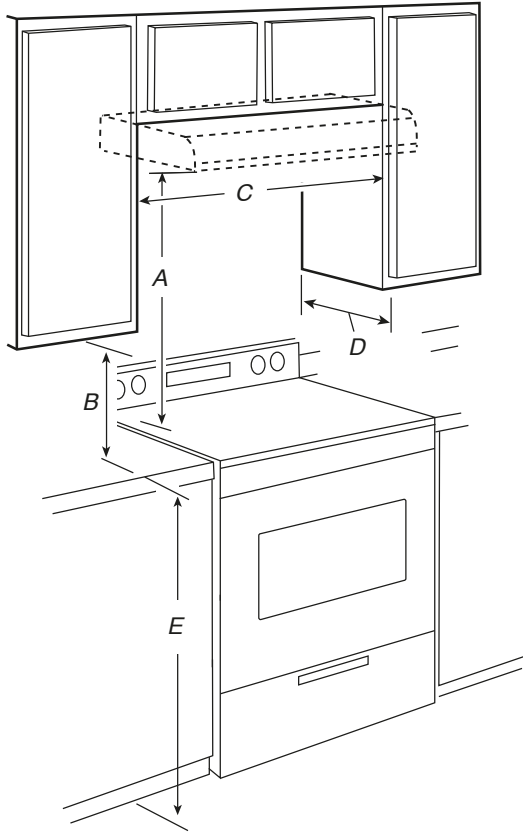
Range Hood - 30" (76.2 cm)

PRODUCT MODEL NUMBERS

WVU17UC0JS0, WVU17UC0JB0, WVU17UC0JW0

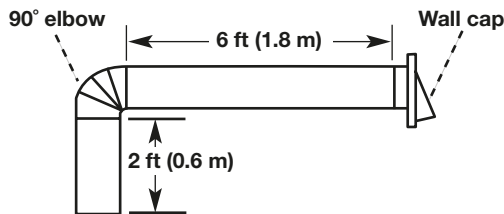
Electrical: A 120 V, 60 Hz, AC only, 15 A, fused electrical circuit is required.

CABINET OPENING DIMENSIONS



- A. 24" (61.0 cm) minimum distance from electric cooking surface.
24" (61.0 cm) minimum distance from gas cooking surface.
30" (76.2 cm) suggested maximum above the cooking surface.
- B. 18" (45.7 cm) minimum clearance - upper cabinet to countertop.
- C. 30" (76.2 cm) minimum cabinet opening width for 30" (76.2 cm) models.
- D. 12" (30.5 cm) cabinet depth.
- E. 36" (91.4 cm) base cabinet height.

Example vent system



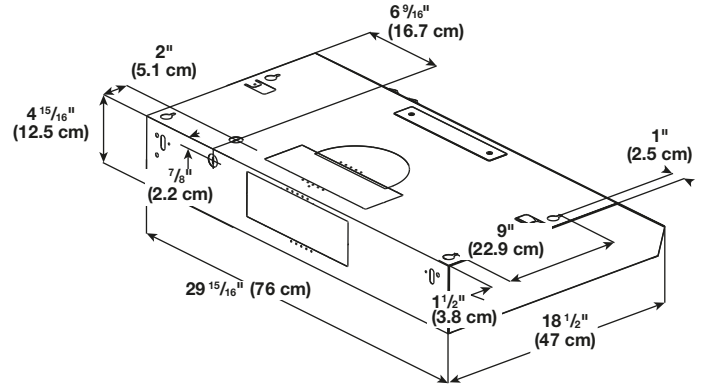
1 - 90° elbow	= 5 ft (1.5 m)
1 - wall cap	= 0 ft (0.0 m)
8 ft (2.4 m) - straight	= 8 ft (2.4 m)
System length	= 13 ft (3.9 m)

Maximum Recommended Length

7" (17.8 cm) Round Vent = 50 ft (15.2 m)

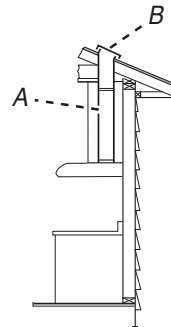
Because Whirlpool Corporation policy includes a continuous commitment to improve our products, we reserve the right to change materials and specifications without notice.

PRODUCT DIMENSIONS



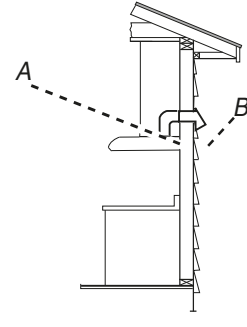
VENTING REQUIREMENTS

Top Venting



- A. 7" (17.8 cm) round vent through roof (purchased separately).
- B. Roof cap with damper (purchased separately)

Wall Venting



- A. 7" (17.8 cm) round vent out the top and through the wall (purchased separately).
- B. Wall cap with damper (purchased separately)

Calculating Vent System Length

To calculate the length of the system you need, add the equivalent feet (meters) for each vent piece used in the system.

Vent System

Vent Piece

45° elbow 2.5 ft (0.8 m)



90° elbow 5 ft (1.5 m)



7" (17.8 cm) wall cap 0 ft (0 m)



Dimensions are for planning purposes only. For complete details, see Installation Instructions packed with product. Specifications subject to change without notice.

W11407190A

11/19