

24" (61 cm) Range Hood

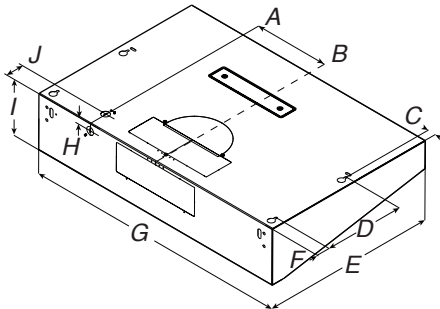
PRODUCT MODEL NUMBERS

WVU37UC4F

ELECTRICAL REQUIREMENTS

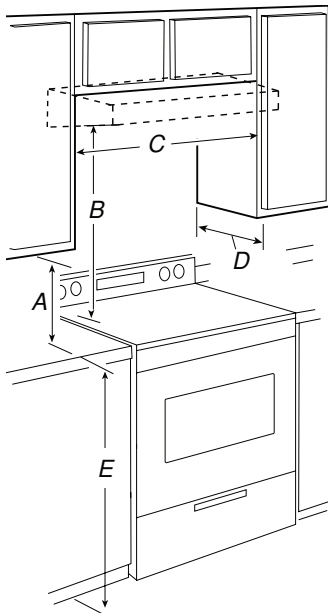
A 120-volt, 60 Hz., AC-only, 15-amp, fused electrical circuit is required.

PRODUCT DIMENSIONS



- A. $8\frac{25}{64}$ " (21.3 cm)
- B. Centerline
- C. 1" (2.54 cm)
- D. $8\frac{31}{32}$ " (22.8 cm)
- E. $19\frac{1}{16}$ " (50 cm)
- F. $1\frac{1}{2}$ " (3.8 cm)
- G. 24" (61 cm)
- H. $\frac{55}{64}$ " (2.2 cm)
- I. $6\frac{19}{54}$ " (16 cm)
- J. 2" (5 cm)

INSTALLATION CLEARANCES



- A. 18" (45.7 cm) min. clearance - upper cabinet to countertop
- B. 24" (61.0 cm) minimum - bottom of range hood to cooking surface
- C. 24" (61 cm) min. cabinet opening width
- D. 12" (30.5 cm) minimum cabinet depth
- E. 36" (91.4 cm) base cabinet height

VENTING REQUIREMENTS

This range hood is factory set to exhaust the air to the outside through the wall or the roof. A non-vented (recirculating) installation will require a Charcoal Filter Kit. See the "Accessories" section for ordering information.

Vent system must terminate to the outdoors, except for nonvented (recirculating) installations.

Do not terminate the vent system in an attic or other enclosed area.

Do not use a 4" (10.2 cm) laundry-type wall cap.

Use a 7" (17.8 cm) round metal vent or a $3\frac{1}{4}$ " x 10" (8.3 cm x 25.4 cm) rectangular metal vent, depending on your installation requirements. Rigid metal vent is recommended. Plastic or metal foil vent is not recommended.

The length of vent system and number of elbows should be kept to a minimum to provide efficient performance.

For the most efficient and quiet operation:

Use no more than three 90° elbows.

Make sure there is a minimum of 24" (61 cm) of straight vent between the elbows if more than 1 elbow is used.

Do not install 2 elbows together.

Use clamps or duct tape to seal all joints in the vent system.

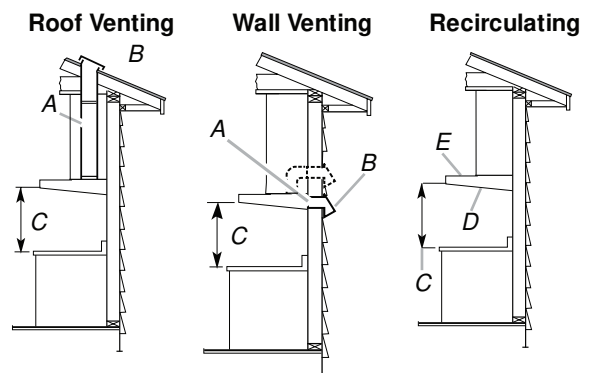
The vent system must have a damper. If roof or wall cap has a damper, do not use damper supplied with the range hood.

Use caulking to seal exterior wall or roof opening around the cap.

VENTING METHODS

Vent system can terminate either through the roof or wall. Use $3\frac{1}{4}$ " x 10" (8.3 cm x 25.4 cm) rectangular with a maximum vent length of 35 ft (10.7 m) or 7" (17.8 cm) or larger round vent with a maximum length of 50 ft (15.2 m) for vent system.

NOTE: Flexible vent is not recommended. Flexible vent creates both back pressure and air turbulence that greatly reduce performance.




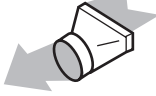
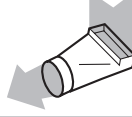


- A. 7" (17.8 cm) round vent through roof or $3\frac{1}{4}$ " x 10" (8.3 cm x 25.4 cm) rectangular vent through the roof or wall (purchased separately)
- B. Roof/Wall cap with damper (purchased separately)
- C. 24" (61.0 cm) min. above the cooking surface
- D. Charcoal Filter Kit (purchased separately)
- E. Recirculating grid

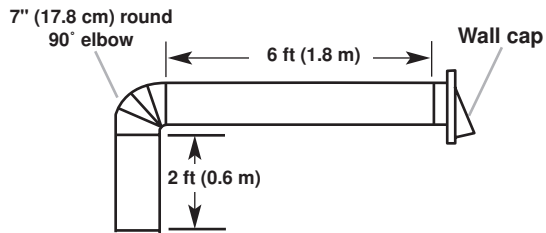
CALCULATING VENT SYSTEM LENGTH

To calculate the length of the system you need, add the equivalent feet (meters) for each vent piece used in the system.

7" (17.8 cm) Round Vent System

| Vent Piece | Round | |
|---|-------------------|---|
| 45° elbow | 2.5 ft (0.8 m) |  |
| 90° elbow | 5.0 ft (1.5 m) |  |
| 7" (17.8 cm) wall cap | 0.0 ft (0.0 m) |  |
| 3 1/4" x 10" (8.3 cm x 25.4 cm) to 7" (17.8 cm) | 4.5 ft (1.4 m) |  |
| 3 1/4" x 10" (8.3 cm x 25.4 cm) to 7" (17.8 cm) 90° elbow | 5.0 ft (1.5 m) |  |


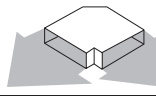

Example vent system



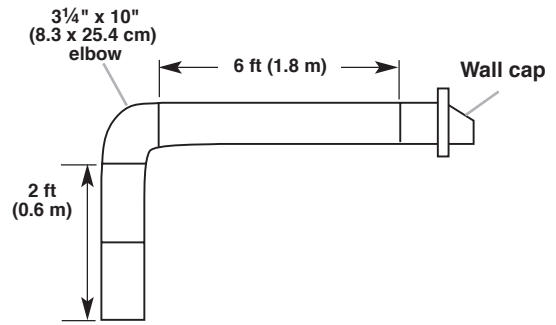
Maximum Recommended Length = 50 ft (15.2 m)

| | |
|-------------------------------|-------------------|
| 1 - 90° elbow | = 5.0 ft (1.5 m) |
| 1 - wall cap | = 0.0 ft (0.0 m) |
| 8 ft (2.4 m) straight | = 8.0 ft (2.4 m) |
| Length of 7" (17.8 cm) system | = 13.0 ft (3.9 m) |

3 1/4" x 10" (8.3 cm x 25.4 cm) Vent System

| Vent Piece | | |
|--|--------------------|---|
| 3 1/4" x 10" (8.3 cm x 25.4 cm) 90° elbow | 5.0 ft (1.5 m) |  |
| 3 1/4" x 10" (8.3 cm x 25.4 cm) flat elbow | 12.0 ft (3.7 m) |  |
| 3 1/4" x 10" (8.3 cm x 25.4 cm) wall cap | 0.0 ft (0.0 m) |  |

Example vent system



Maximum Recommended Length = 35 ft (10.7 m)

| | |
|--|-------------------|
| 1 - 90° elbow | = 5.0 ft (1.5 m) |
| 8 ft (2.4 m) straight | = 8.0 ft (2.4 m) |
| 1 - wall cap | = 0.0 ft (0.0 m) |
| Length of 3 1/4" x 10" (8.3 cm x 25.4 cm) system | = 13.0 ft (3.9 m) |