

KitchenAid® 30" (76 cm) Freestanding Electric Range

PRODUCT MODEL NUMBERS

KFEG500E KFES530E

Electrical: If codes permit and a separate ground wire is used, it is recommended that a qualified electrical installer determine that the ground path and wire gauge are in accordance with local codes.

Do not use an extension cord.

To properly install your range, you must determine the type of electrical connection you will be using and follow the instructions provided for it here.

- Range must be connected to the proper electrical voltage and frequency as specified on the model/serial/rating plate. The model/serial/rating plate is located on the frame behind a top corner of the door or on either side of the drawer. Refer to the figures in "Product Dimensions" in the "Location Requirements" section
- This range is manufactured with the neutral terminal connected to the cabinet. Use a 3-wire, UL listed, 40- or 50-amp power supply cord (pigtail) (see the following Range Rating chart). If local codes do not permit ground through the neutral, use a 4-wire power supply cord rated at 250 volts, 40- or 50-amps and investigated for use with ranges.

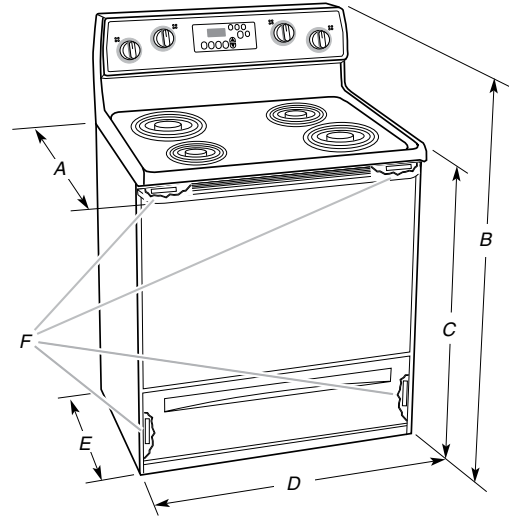
Range Rating*		Specified Rating of Power Supply Cord Kit and Circuit Protection
120/240 Volts	120/208 Volts	Amps
8.8 – 16.5 KW	7.8 – 12.5 KW	40 or 50**
16.6 – 22.5 KW	12.6 – 18.5 KW	50

* The NEC calculated load is less than the total connected load listed on the model/serial/rating plate.

** If connecting to a 50-amp circuit, use a 50-amp rated cord with kit. For 50-amp rated cord kits, use kits that specify use with a nominal 1³/₈" (34.9 mm) diameter connection opening.

- A circuit breaker is recommended.

PRODUCT DIMENSIONS



- A. 27³/₄" (70.5 cm) max. depth with handle
- B. 47¹/₈" (119.7 cm) overall height (max.) with leveling legs screwed in all the way*
- C. 36" (91.4 cm) cooktop height (max.) with leveling legs screwed in all the way*
- D. 29⁷/₈" (75.9 cm) width
- E. 25⁵/₁₆" (64.3 cm) depth – back of range to front of cooktop**
- F. Model/serial/rating plate (located on the frame behind a top corner of the door or on either side of the drawer)

IMPORTANT: Range must be level after installation. Follow the instructions in the "Level Range" section. Using the cooktop as a reference for leveling is not recommended.

* Range can be raised approximately 1" (2.5 cm) by adjusting the leveling legs.

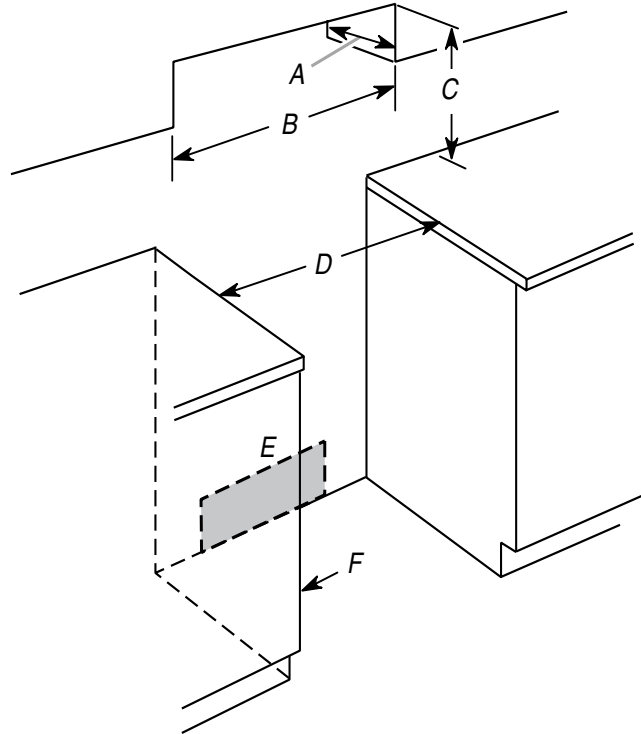
** Front of door and drawer may extend further forward depending on styling.

CABINET OPENING DIMENSIONS

Cabinet opening dimensions shown are for 25" (64.0 cm) countertop depth, 24" (61.0 cm) base cabinet depth and 36" (91.4 cm) countertop height.

IMPORTANT: If installing a range hood or microwave hood combination above the range, follow the range hood or microwave hood combination installation instructions for dimensional clearances above the cooktop surface.

NOTE: A freestanding range may be installed next to combustible walls with zero clearance



- A. 13" (33.0 cm) max. upper cabinet depth
- B. 30 1/8" (76.5 cm) min. opening width
- C. For minimum clearance to top of cooktop, see NOTE*.
- D. 30" (76.2 cm) min. opening width
- E. Outlet - 8" to 22" (20.3 cm to 55.9 cm) from either cabinet, 7" (17.8 cm) max. from floor
- F. Cabinet door or hinges should not extend into the cutout.

***NOTE:** 24" (61.0 cm) minimum when bottom of wood or metal cabinet is shielded by not less than 1/4" (0.64 cm) flame retardant millboard covered with not less than No. 28 MSG sheet steel, 0.015" (0.4 mm) stainless steel, 0.024" (0.6 mm) aluminum or 0.020" (0.5 mm) copper.
30" (76.2 cm) minimum clearance between the top of the cooking platform and the bottom of an uncovered wood or metal cabinet.