

KitchenAid®

MICROWAVE OVEN Use & Care Guide

For questions about features, operation/performance, parts, accessories or service, call: **1-800-422-1230**, or visit our website at www.kitchenaid.com.
In Canada, call: **1-800-807-6777** or visit our website at www.kitchenaid.ca.

FOUR À MICRO-ONDES Guide d'utilisation et d'entretien

Pour des questions à propos des caractéristiques, du fonctionnement/rendement, des pièces, accessoires ou service, composer le **1-800-422-1230**,
Ou visiter notre site internet www.kitchenaid.com.
Au Canada, composer le **1 800 807-6777** ou visitez notre site Web www.kitchenaid.ca.

TABLE OF CONTENTS

MICROWAVE OVEN SAFETY	2
INSTALLATION INSTRUCTIONS	4
Unpacking	4
Location Requirements	4
Electrical Requirements	4
PARTS AND FEATURES	5
Turntable.....	5
Microwave Oven Control	5
Keypad Instructions	6
Display	9
Standby mode.....	9
Start.....	9
Quick Start / Add 30 seconds.....	9
Cancel	9
To use Non - Sensor Menu	9
Clock	9
Timer.....	9
Tones ON/OFF.....	9
Control Lock.....	9
Cooking End.....	9
To use Sensor Menu	9
MICROWAVE OVEN USE	10
Food Characteristics	10
Cooking Guidelines	10
Cookware and Dinnerware.....	11
Aluminum Foil and Metal	11
Cooking Menu, Sensor Cooking.....	11
Popcorn.....	11
Potato.....	12
Dinner Plate	12
Soften Menu.....	12
Melt Menu	12
Auto Defrost	13
Steam Clean.....	13
Keep Warm.....	13
MICROWAVE OVEN CARE	14
General Cleaning.....	14
TROUBLESHOOTING	15
ASSISTANCE OR SERVICE	16
In the U.S.A.	16
In Canada	16
Replacement Parts.....	16
Built-In Kits.....	16

TABLE DES MATIÈRES

SÉCURITÉ DU FOUR À MICRO-ONDES	17
INSTRUCTIONS D'INSTALLATION	19
Déballage	19
Exigences d'emplacement.....	19
Spécifications électriques	19
PIÈCES ET CARACTÉRISTIQUES	20
Plateau rotatif	20
Instructions relatives aux touches	21
Affichage	24
Mode Standby (veille).....	24
Start (mise en marche).....	24
Quick Start/Add 30 seconds (Démarrage rapide/ajouter 30 secondes)	24
Cancel (annulation).....	24
Pour utiliser le menu sans détection.....	24
Clock (Horloge).....	24
Timer (Minuterie)	24
Tones ON/OFF (Signaux sonores marche/arrêt).....	24
Control Lock (verrouillage des commandes).....	24
Fin de cuisson	24
Pour utiliser le menu avec détection.....	24
UTILISATION DU FOUR À MICRO-ONDES	25
Caractéristiques des aliments.....	25
Guide de cuisson	25
Ustensiles de cuisson et vaisselle	26
Papier d'aluminium et métal	26
Cooking Menu (Menu de cuisson), Sensor Cooking (cuisson par détection).....	26
Popcorn (maïs éclaté)	26
Potato (Pomme de terre).....	27
Dinner Plate (Assiette)	27
Soften menu (Menu Faire ramollir).....	27
Melt Menu (Menu Faire fondre)	27
Auto Defrost (décongélation automatique).....	28
Steam Clean (nettoyage à la vapeur).....	28
Keep Warm (Maintien au chaud).....	28
ENTRETIEN DU FOUR À MICRO-ONDES	29
Nettoyage général	29
DÉPANNAGE	30
ASSISTANCE OU DÉPANNAGE	31
Aux É.-U.	31
Au Canada.....	31
Pièces de rechange.....	31
Trousse pour fours encastrés.....	31

MICROWAVE OVEN SAFETY

Your safety and the safety of others are very important.

We have provided many important safety messages in this manual and on your appliance. Always read and obey all safety messages.



This is the safety alert symbol.

This symbol alerts you to potential hazards that can kill or hurt you and others.

All safety messages will follow the safety alert symbol and either the word "DANGER" or "WARNING."

These words mean:

⚠ DANGER

You can be killed or seriously injured if you don't immediately follow instructions.

⚠ WARNING

You can be killed or seriously injured if you don't follow instructions.

All safety messages will tell you what the potential hazard is, tell you how to reduce the chance of injury, and tell you what can happen if the instructions are not followed.

IMPORTANT SAFETY INSTRUCTIONS

When using electrical appliances basic safety precautions should be followed, including the following:

WARNING: To reduce the risk of burns, electric shock, fire, injury to persons, or exposure to excessive microwave energy:

- Read all instructions before using the microwave oven.
- Read and follow the specific "PRECAUTIONS TO AVOID POSSIBLE EXPOSURE TO EXCESSIVE MICROWAVE ENERGY" found in this section.
- The microwave oven must be grounded. Connect only to properly grounded outlet. See "GROUNDING INSTRUCTIONS" found in the "INSTALLATION INSTRUCTIONS" section.
- Install or locate the microwave oven only in accordance with the provided Installation Instructions.
- Some products such as whole eggs in the shell and sealed containers - for example, closed glass jars - are able to explode and should not be heated in the microwave oven.
- Use the microwave oven only for its intended use as described in the manual. Do not use corrosive chemicals or vapors in the microwave oven. This type of oven is specifically designed to heat, cook, or dry food. It is not designed for industrial or laboratory use.
- As with any appliance, close supervision is necessary when used by children.
- Do not operate the microwave oven if it has a damaged cord or plug, if it is not working properly, or if it has been damaged or dropped.
- The microwave oven should be serviced only by qualified service personnel. Call an authorized service company for examination, repair, or adjustment.
- Do not cover or block any openings on the microwave oven.
- Do not store this microwave oven outdoors. Do not use the microwave oven near water - for example, near a kitchen sink, in a wet basement, near a swimming pool, or similar locations.
- Do not immerse cord or plug in water.
- Keep cord away from heated surfaces.
- Do not let cord hang over edge of table or counter.
- See door surface cleaning instructions in the "Microwave Oven Care" section.
- To reduce the risk of fire in the oven cavity:
 - Do not overcook food. Carefully attend the microwave oven when paper, plastic, or other combustible materials are placed inside the oven to facilitate cooking.
 - Remove wire twist-ties from paper or plastic bags before placing bags in oven.
 - If materials inside the oven ignite, keep oven door closed, turn oven off, and disconnect the power cord, or shut off power at the fuse or circuit breaker panel.
 - Do not use the cavity for storage purposes. Do not leave paper products, cooking utensils, or food in the cavity when not in use.

SAVE THESE INSTRUCTIONS

IMPORTANT SAFETY INSTRUCTIONS

- Liquids, such as water, coffee, or tea are able to be overheated beyond the boiling point without appearing to be boiling. Visible bubbling or boiling when the container is removed from the microwave oven is not always present. THIS COULD RESULT IN VERY HOT LIQUIDS SUDDENLY BOILING OVER WHEN THE CONTAINER IS DISTURBED OR A SPOON OR OTHER UTENSIL IS INSERTED INTO THE LIQUID.

To reduce the risk of injury to persons:

- Do not overheat the liquid.
- Stir the liquid both before and halfway through heating it.
- Do not use straight-sided containers with narrow necks.
- After heating, allow the container to stand in the microwave oven for a short time before removing the container.
- Use extreme care when inserting a spoon or other utensil into the container.

SAVE THESE INSTRUCTIONS

PRECAUTIONS TO AVOID POSSIBLE EXPOSURE TO EXCESSIVE MICROWAVE ENERGY

- (a) Do not attempt to operate this oven with the door open since open-door operation can result in harmful exposure to microwave energy. It is important not to defeat or tamper with the safety interlocks.
- (b) Do not place any object between the oven front face and the door or allow soil or cleaner residue to accumulate on sealing surfaces.
- (c) Do not operate the oven if it is damaged. It is particularly important that the oven door close properly and that there is no damage to the:
 - (1) Door (bent),
 - (2) Hinges and latches (broken or loosened),
 - (3) Door seals and sealing surfaces.
- (d) The oven should not be adjusted or repaired by anyone except properly qualified service personnel.

This device complies with Part 18 of the FCC Rules.
This device complies with Industry Canada ICES-001.

INSTALLATION INSTRUCTIONS

Unpacking

1. Empty the microwave oven of any packing materials.
2. Clean the inside with a soft, damp cloth.
3. Check for damage, such as:
 - A door that is not lined up correctly,
 - Damage around the door, or
 - Dents on the interior or exterior of the microwave oven.If there is any damage, do not operate the microwave oven until a designated service technician has checked it and made any needed repairs.

NOTE: To avoid damage to the microwave oven, do not remove microwave inlet cover. See the "Parts and Features" section.

Location Requirements

⚠ WARNING

Excessive Weight Hazard

Use two or more people to move and install microwave oven.

Failure to do so can result in back or other injury.

IMPORTANT: The control side of the microwave oven is the heavy side. Handle the microwave oven gently. The weight of the microwave oven is over 35 lbs (15.9 kg).

- Place the microwave oven on a cart, counter, table, or shelf that is strong enough to hold the microwave oven and the food and utensils you place inside it.
- The microwave oven should be at a temperature above 50°F (10°C) for proper operation.

NOTE: Some models can be built into a wall or cabinet by using one of the trim kits listed in the "Assistance or Service" section.

- Do not block the exhaust vents or air intake openings. Allow a few inches of space at the back and side of the microwave oven where the exhaust vents are located. Blocking the exhaust vents could cause damage to the microwave oven as well as poor cooking results.
- Make sure the microwave oven legs are in place to ensure proper airflow. If vents are blocked, a sensitive thermal device may automatically turn the microwave oven off. The microwave oven should work properly once it has cooled.

Electrical Requirements

⚠ WARNING



Electrical Shock Hazard

Plug into a grounded 3 prong outlet.

Do not remove ground prong.

Do not use an adapter.

Do not use an extension cord.

Failure to follow these instructions can result in death, fire, or electrical shock.

Observe all governing codes and ordinances.

Required:

- A 120 V, 60 Hz AC only, 15 A or 20 A electrical supply with a fuse or circuit breaker.

Recommended:

- A time-delay fuse or time-delay circuit breaker
- A separate circuit serving only this microwave oven

GROUNDING INSTRUCTIONS

■ For all cord connected appliances:

The microwave oven must be grounded. In the event of an electrical short circuit, grounding reduces the risk of electric shock by providing an escape wire for the electric current. The microwave oven is equipped with a cord having a grounding wire with a grounding plug. The plug must be plugged into an outlet that is properly installed and grounded.

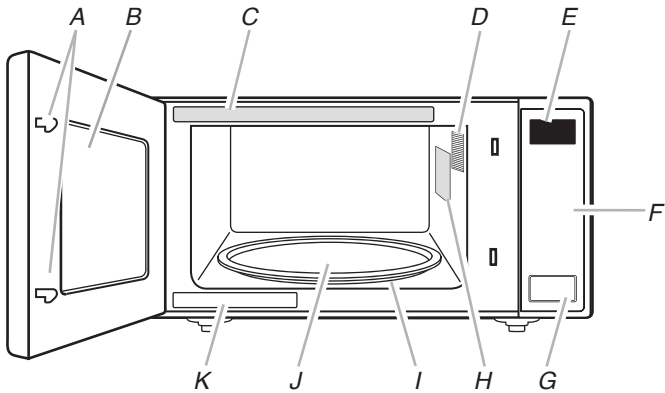
WARNING: Improper use of the grounding plug can result in a risk of electric shock. Consult a qualified electrician or serviceman if the grounding instructions are not completely understood, or if doubt exists as to whether the microwave oven is properly grounded.

Do not use an extension cord. If the power supply cord is too short, have a qualified electrician or serviceman install an outlet near the microwave oven. A short power supply cord is provided to reduce the risks resulting from becoming entangled in or tripping over a longer cord.

SAVE THESE INSTRUCTIONS

PARTS AND FEATURES

This manual may cover several different models. The model you have purchased may have some or all of the features shown here. The appearance of your particular model may differ slightly from the illustrations in this manual.



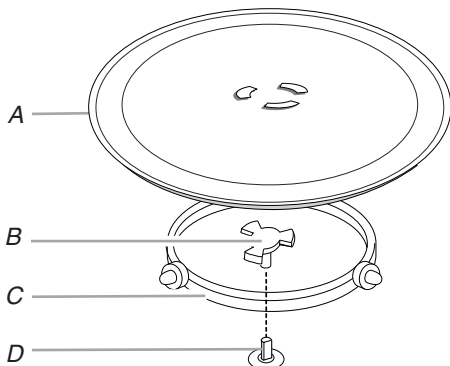
- A. Door lock system
- B. Window
- C. Cooking guide label
- D. Microwave oven light
- E. Display
- F. Control panel
- H. Door open push button
- G. Microwave inlet cover*
- I. Removable turntable support
- J. Glass turntable
- K. Model and serial number plate

***NOTE:** To avoid damage to the microwave oven, do not remove microwave inlet cover. See the "Parts and Features" section.

Microwave Oven Control



Turntable



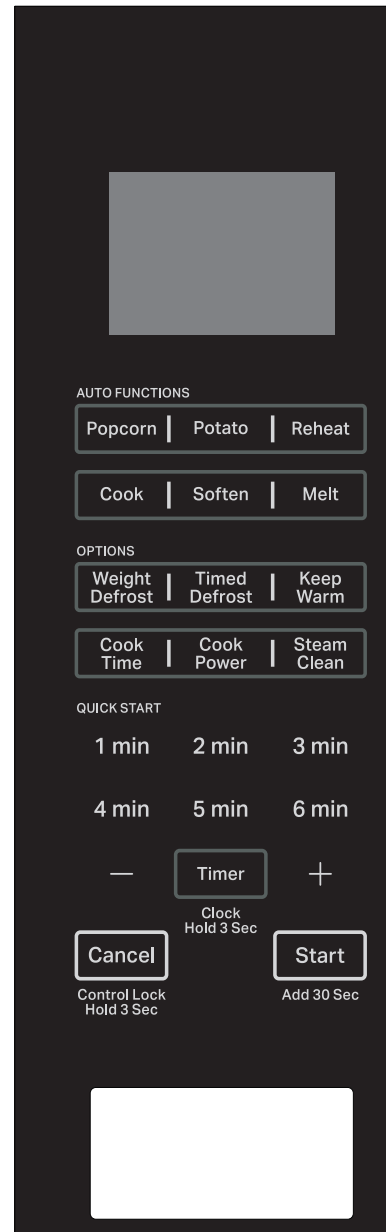
- A. Turntable
- B. Hub
- C. Support
- D. Shaft

The turntable can rotate in either direction to help cook food more evenly. For best cooking results, do not operate the microwave oven without having the turntable in place. See the "Assistance or Service" section to reorder any of the parts.

To Install:

1. Place the support on the microwave oven cavity bottom.
2. Place the turntable on the support.

Fit the raised, curved wedges in the center of the turntable bottom between the three spokes of the hub. The rollers on the support should fit inside the turntable bottom ridge.



Keypad Instructions

Keypad	Feature	Instructions
Timer (Clock Hold 3 seconds)	Hold to Set the Clock	<p>To set the clock, follow the instructions below:</p> <ol style="list-style-type: none"> 1. Press Timer for 3 seconds to enter clock setting. 2. Press the +/- button to set the hour, press Start button to confirm. 3. Press the +/- button to set the minute. 4. Press Start button. <p>NOTE: The microwave oven must be in standby. It will also appear every time the product is plugged into the power source, or power is back after a power fail.</p> <p>NOTE: When plug in, the screen shows "12Hr" ("12" flashing), use +/- to change 12 or 24 hour format, press Start to confirm; then the screen shows "12:00".</p>
Timer (Clock Hold 3 seconds)	Set Kitchen Timer	<p>The kitchen timer functions like a stop watch. To set the kitchen timer, following the instructions below:</p> <ol style="list-style-type: none"> 1. Press Timer button. 2. Press +/- button to enter desired time. 3. Press Start button. <p>NOTE: While the Timer countdown is active in the display, touch Cancel to cancel the Timer. The timer does not Start or stop the microwave oven.</p>
Start (Add 30 seconds)	Add 30 Seconds	<p>The button Start can be used in two ways:</p> <ol style="list-style-type: none"> 1. To Start the microwave by cooking for 30 seconds with full power in standby mode. 2. To increase a cooking time using increments of 30 seconds. Each press adds 30 seconds.
Start (Add 30 seconds)	Start Function	<p>Press the Start button to Start any cooking function. If cooking is interrupted by opening the door, touch the Start button after the door is closed again to resume the cycle.</p>
Cancel (Control Lock Hold 3 seconds)	Microwave Oven Cancel	<p>The Cancel button stops any microwave oven function except for the clock and control lock. The microwave oven will also turn off when the door is opened. When the door is opened, the element(s) will turn off, but the microwave oven light will remain on. Close the door and touch the Start button to resume the preset cycle.</p>
Cancel (Control Lock Hold 3 seconds)	Activate Control Lock	<p>Activate Control Lock to avoid an unintended Start. To activate, press and hold the Cancel button for 3 seconds until the CONTROL LOCKED icon appears on the display. Repeat to unlock control.</p>
1 min-6 min	Quick Start	<p>Default power is full in this function (P100). Press 1 min, 2 min.. or 6 min to Start with the time mentioned on the button.</p>
Cook Time	Set Manual Cooking	<p>Press "Cook Time" button to set manual cooking time. The default power level is 100%. Press +/- button / 1 min-6 min to set the cooking time, follow the instructions below:</p> <ol style="list-style-type: none"> 1. Press "Cook Time" button, "0:15" will show on the display. 2. Press +/- button / 1 min-6 min to adjust the cooking time. 3. Press Start button to Start. <p>NOTE: Press the "Power" button to increase/decrease power levels in cyclic way P10 P20 P30.....P100.</p>

Keypad	Feature	Instructions
Cook Power	Set Manual Cooking	<p>Press “Power” button to set manual power. The default power level is 100%. Press the “Power” button or +/- button to change power level.</p> <p>For example, to set the time to 2:30 in 90% power:</p> <ol style="list-style-type: none"> 1. Press “Power” button, P100 will show on the display. 2. Press - button to decrease power level to 90% (P90 on display). 3. Press Start button to confirm and jump to cooking time setting, default “0:15” will show on the display. 4. Press +/- button to adjust the cooking time to “2:30”. 5. Press Start button.
Weight Defrost	Automatic Defrost	<p>The Auto Defrost function helps that frozen food. To defrost, follow the instructions below:</p> <ol style="list-style-type: none"> 1. Press “Auto Defrost” button, P1 will show on display. 2. Press “Auto Defrost” button or +/- button to select the desired food class. 3. Press Start button to confirm, display will show the default weight. 4. Press +/- button to adjust desired weight. 5. Press Start button.
Timed Defrost	Manual Defrost	<p>Defrost power has been set, select defrost cooking time</p> <ol style="list-style-type: none"> 1. Press “Manual Defrost” button, default time “0:30” will show in the display. 2. Press +/- button to adjust defrost cooking time. 3. Press Start button.
Reheat	Reheat	<p>To reheat using preset functions, follow the instructions below:</p> <ol style="list-style-type: none"> 1. Press “Dinner Plate/Reheat Menu” button, the “P1” will show on the display. 2. Use +/- button or “Dinner Plate/Reheat Menu” to select a food category. See the Reheat section in this guide for the food category or reference sticker on the front plate of the microwaves. 3. Press Start button. 4. Sensor Cooking (except Sauce, Soap and Beverage): A sensor in the microwave oven detects humidity released from the food as it heats and adjusts the cook time accordingly. (When selecting Sauce, Soup and Beverage the display will show the default weight. Press +/- button to adjust desired weight. Press the Start button.)
Popcorn	Popcorn	<p>To use the popcorn preset, follow the instructions below:</p> <ol style="list-style-type: none"> 1. Press “Popcorn” button repeatedly to select the bag size (3.0 or 3.5 oz). 2. Press Start button.
Potato	Potato cooking	<p>To use the potato preset, follow the instructions below:</p> <ol style="list-style-type: none"> 1. Press “Potato” button repeatedly to select L (Large) or S (Small) potato size. 2. Press Start to confirm, press +/- to adjust quantity. 3. Press Start button.

Keypad	Feature	Instructions
Cook	Auto cook	<p>For Cook mode, it is not necessary to set the time and power, follow the instructions below:</p> <ol style="list-style-type: none"> 1. Press “Cook” button, the “P1” will show on the display. 2. Use +/- button or “Cook” to select a food category. See the Cook section in this guide for the food category or reference sticker on the front plate of the microwave. 3. Press Start button. 4. Sensor Cooking: a sensor in the microwave oven detects humidity released from the food as it heats and adjusts the cook time accordingly. (For non-sensor cooking, the display will show the default weight. Press +/- button to adjust desired weight. Press the Start button.)
Soften	Soften	<p>The Soften function is used to soften food. To use:</p> <ol style="list-style-type: none"> 1. Press “Soften”, the display will show “P1”. 2. Use “Soften” button or +/- button to select a food category, see the Soften section in this guide for the food category or reference the sticker on the front plate of microwave. Press Start button to confirm. 3. Use +/- button to adjust the quantity. 4. Press Start button.
Melt	Melt	<p>The Melt function is used to melt food. To use:</p> <ol style="list-style-type: none"> 1. Press “Melt”, the display will show “P1”. 2. Use “Melt” button or +/- button to select a food category, see the Melt section in this guide for the food category or reference the sticker on the front plate of microwave. Press Start button to confirm. 3. Use +/- button to adjust the quantity. 4. Press Start button.
Keep Warm	Keep Warm	<p>The function allows to keep your dishes warm. To use:</p> <ol style="list-style-type: none"> 1. Press “Keep Warm” button, default time “30:00” will show on the display. 2. Press “Keep Warm” or +/- button to select 15 min, 30 min, 45 min, or 60 min. 3. Press Start button. <p>NOTE: The Keep Warm cycle last for a duration of 15 minutes (default 30 minutes), the maximum time is 60 minutes. Each 15 minutes cycle, microwave will be turned on 1.5 min, then cavity lamp and fan are off, only the countdown time is shown.</p>
Steam Clean	Auto cleaning cycle	<p>The cleaning cycle will help to clean the microwave oven cavity.</p> <ol style="list-style-type: none"> 1. Place 1 cup of water (~250 mL) on the middle of the cavity. 2. Press “Steam Clean” button, default “13:00” time will show on display. 3. Press Start button to Start the function. After finishing the water heat-up cycle (3 minutes), cavity lamp and fan will be off and display will show the countdown time. <p>NOTE: Please follow Tips and Suggestions in Steam Clean section.</p>
Tone ON/OFF	Turn on or off beep sound	<p>The function allows to turn on or off the beep sound:</p> <ol style="list-style-type: none"> 1. Press Steam Clean button and hold for 5 seconds to put into mute, the Tone Off icon will be shown on display. 2. Hold the button again for 5 seconds to turn on the sound.

Display

When power is first supplied to the microwave oven, “12Hr” will appear in the display. User can press TIMER/Clock button or +/- button to toggle between 12Hr or 24Hr within 10 seconds. Press Start button to confirm. If the “12:00” appears in the display at any other time, a power failure has occurred. Reset the clock if needed. See the “Clock” section.

Standby mode

When no functions are being used, the microwave oven will switch to Standby mode.

Start

The Start button begins any function. If non-sensor cooking is interrupted by opening the door, pressing Start button will resume the cycle.

NOTE: To avoid unintentional operation of the microwave oven, a cooking function cannot be started if the microwave oven door has been closed for about 1 minute. The word “door” will appear in the display until the door is opened and closed.

Quick Start/Add 30 seconds

In standby mode, pressing Start button automatically Starts the microwave oven at 100% power for 30 seconds and adds 30 seconds of cook time, with each additional touch of the control. Time may be added to any manual cooking cycle in 30 second increments, at the moment power level, by pressing Start button during cooking.

Cancel

The Cancel button clears any incorrect command and cancels any program during cooking. Press the Cancel button to cancel the cycle. It will not erase the time of day.

The microwave oven will also turn off when the door is opened. Close the door and press Start to resume the cycle. The Cancel button is also used to lock and unlock the control panel. See the “Control Lock” section.

To use Non - Sensor Menu (Popcorn, Potato)

1. Place food on the turntable and close the door.
 2. Touch desired menu control. The first programmed amount will appear in the display. Touch control keypad repeatedly or touch number keypads to change quantity.
 3. Touch Start. When the cycle ends, “End” will appear in the display and the end-of-cycle tone will sound.
 4. Touch Cancel or open the door to clear the display.
-

Clock

To Set:

The microwave oven must be in standby.

1. Press Timer/Clock button for 3 seconds to enter clock setting. It will also appear every time the product is plugged into the power source, or power is back after a power fail.
 2. Press +/- button to set the hour.
 3. Press Start button to confirm.
 4. Press +/- button to set the minute.
 5. Press Start button to confirm the setting.
-

Timer

To Set:

1. Press Timer/Clock button
2. Press +/- button to enter desired time.
3. Press Start button. When the set time ends, the end-of-timer
4. When the Timer countdown is achieved in the display, tone will sound. Press Cancel to cancel the timer.

NOTE: The Timer does not Start or stop the microwave oven. The function can be set only in Standby mode.

Tones ON/OFF

This function allows the user to activate/deactivate all the sounds played by the appliances, includes button press, warnings, alarm, even end audio feedback.

Press Steam Clean button and hold for 5 seconds to put into mute, hold the button again for 5 seconds to turn on the sound.

Control Lock

The Control Lock disables the control panel keypads to avoid unintended use of the microwave oven.

To Lock/Unlock Control: The microwave oven must be OFF. Touch and hold Cancel button for about 3 seconds, until the tone sounds and the LOCK icon appears in the display. Repeat to unlock and clear the display.

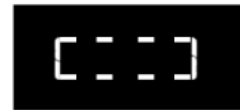
If any cook function control is touched while the Control Lock is active, a tone will sound.

Cooking End

When the cooking is finished, the display will show the text “End”. A reminder acoustic beep will signal.

To use Sensor Menu (Reheat, Cook Menu)

1. Place food on the turn table and close the door.
2. Touch the desired menu control.
3. Touch Start, the running segment animation will appear in the display. The microwave oven will Start and sensor cooking will begin.



The running segment will remain in the display until the sensor has determined the remaining cook time.

4. When the cycle ends, “End” will appear in the display and the end-of-cycle tones will sound.
5. Touch Cancel or open the door to clear the display.

(NOTE: Sauce, Soup, Beverage in Reheat Menu without using Sensor cooking).

MICROWAVE OVEN USE

A magnetron in the microwave oven produces microwaves which reflect off the metal floor, walls, and ceiling and pass through the turntable and appropriate cookware to the food. Microwaves are attracted to and absorbed by fat, sugar, and water molecules in the food, causing them to move, producing friction and heat which cooks the food.

- To avoid damage to the microwave oven, do not lean on or allow children to swing on the microwave oven door.
- To avoid damage to the microwave oven, do not operate microwave oven when it is empty.
- Baby bottles and baby food jars should not be heated in microwave oven.
- Clothes, flowers, fruit, herbs, wood, gourds, and paper, including brown paper bags and newspaper, should not be dried in the microwave oven.
- Paraffin wax will not melt in the microwave oven because it does not absorb microwaves.
- Use oven mitts or pot holders when removing containers from microwave oven.
- Do not overcook potatoes. At the end of the recommended cook time, potatoes should be slightly firm. Let potatoes stand for 5 minutes. They will finish cooking while standing.
- Do not cook or reheat whole eggs inside the shell. Steam buildup in whole eggs may cause them to burst, requiring significant cleanup of microwave oven cavity. Cover poached eggs and allow a standing time.

Food Characteristics

When microwave cooking, the amount, size and shape, Starting temperature, composition, and density of the food affect cooking results.

Amount of Food

The more food heated at once, the longer the cook time needed. Check for doneness and add small increments of time if necessary.

Size and Shape

Smaller pieces of food will cook more quickly than larger pieces, and uniformly shaped foods cook more evenly than irregularly shaped food.

Starting Temperature

Room temperature foods will heat faster than refrigerated foods, and refrigerated foods will heat faster than frozen foods.

Composition and Density

Foods high in fat and sugar will reach a higher temperature and will heat faster than other foods. Heavy, dense foods, such as meat and potatoes, require a longer cook time than the same size of a light, porous food, such as cake.

Cooking Guidelines

Covering

Covering food helps retain moisture, shorten cook time, and reduce spattering. Use the lid supplied with cookware. If a lid is not available, wax paper, paper towels, or plastic wrap approved for microwave ovens may be used. Plastic wrap should be turned back at one corner to provide an opening to vent steam. Condensation on the door and cavity surfaces is normal during heavy cooking.

Stirring and Turning

Stirring and turning redistribute heat evenly to avoid overcooking the outer edges of food. Stir from outside to center. If possible, turn food over from bottom to top.

Arranging

If heating irregularly shaped or different-sized foods, arrange the thinner parts and smaller-sized items toward the center. If cooking several items of the same size and shape, place them in a ring pattern, leaving the center of the ring empty.

Piercing

Before heating, use a fork or small knife to pierce or prick foods that have a skin or membrane, such as potatoes, egg yolks, chicken livers, hot dogs, and sausage. Prick in several places to allow steam to vent.

Shielding

Use small, flat pieces of aluminum foil to shield the thin pieces of irregularly shaped foods, bones and foods such as chicken wings, leg tips, and fish tails. See the "Aluminum Foil and Metal" section first.

Standing Time

Food will continue to cook by the natural conduction of heat even after the microwave cooking cycle ends. The length of standing time depends on the volume and density of the food.

Cookware and Dinnerware

Cookware and dinnerware must fit on the turntable. Always use oven mitts or pot holders when handling because any dish may become hot from heat transferred from the food. Do not use cookware and dinnerware with gold or silver trim. Use the following chart as a guide, then test before using.

Material	Recommendations
Aluminum Foil, Metal	See the "Aluminum Foil and Metal" section.
Browning Dish	Bottom must be at least 3/16" (5 mm) above the turntable. Follow manufacturer's recommendations.
Ceramic Glass, Glass	Acceptable for use
China, Earthenware	Follow manufacturer's recommendations.
Melamine	Follow manufacturer's recommendations.
Paper: Towels, Dinnerware, Napkins	Use non-recycled and those approved by the manufacturer for microwave oven use.
Plastic: Wraps, Bags, Covers, Dinnerware, Containers	Use those approved by the manufacturer for microwave oven use.
Pottery and Clay	Follow manufacturer's recommendations.
Silicone Bakeware	Follow manufacturer's recommendations.
Straw, Wicker, Wooden Containers	Do not use in microwave oven.
Wax Paper	Acceptable for use

To Test Cookware or Dinnerware for Microwave Use:

- Place cookware or dinnerware in microwave oven with 1 cup (250 mL) of water beside it.
- Cook at 100% cooking power for 1 minute.

Do not use cookware or dinnerware if it becomes hot and the water stays cool.

Aluminum Foil and Metal

Always use oven mitts or pot holders when removing dishes from the microwave oven.

Aluminum foil and some metal can be used in the microwave oven. If not used properly, arcing (a blue flash of light) can occur and cause damage to the microwave oven.

OK for Use

Racks and bakeware supplied with the microwave oven (on some models), aluminum foil for shielding, and approved meat thermometers may be used with the following guidelines:

- To avoid damage to the microwave oven, do not allow aluminum foil or metal to touch the inside cavity walls, ceiling, or floor.
- Always use the turntable.
- To avoid damage to the microwave oven, do not allow contact with another metal object during microwave cooking.

Do Not Use

Metal cookware and bakeware, gold, silver, pewter, non-approved meat thermometers, skewers, twist ties, foil liners such as sandwich wrappers, staples, and objects with gold or silver trim or a metallic glaze should not be used in the microwave oven.

Cooking Menu, Sensor Cooking

The microwave oven has been programmed with common microwave foods, their quantities, cook powers, and cook times.

Use the following chart as a guide for preset cooking.

Item	Food Category	Quantity
P1	Fresh Vegetables From room temperature. Put food into microwave safe dish. Add 2 tablespoons water to 1-2 cups, add 4 tablespoons water to 3-4 cups. Cover the dish, leaving an air ventilation. Stir and let stand 2-3 minutes after cooking.	1-4 cups (Sensor cooking)
P2	Frozen Vegetables From frozen temperature. Place in microwave-safe container. Add 2 tablespoons water to 1-2 cups, add 4 tablespoons water to 3-4 cups. Cover the dish, leaving an air ventilation. Stir and let stand 3 minutes after cooking.	1-4 cups (Sensor cooking)
P3	Oatmeal Place in microwave-safe container and add water depends on package directions adds water cover with plastic wrap and fold back one edge about 1/4" (6 mm) to make a vent. Place container in the center of the oven. After cooking stir with spoon or whisk until uniform.	1-4 cups (Sensor cooking)
P4	Frozen Entrée Remove entrée from package and loosen film covering on 3 sides of the container leaving one of the short sides still attached. Loosely cover with film. Allow the 10.5 and 20 oz (297 and 567 g) entrees to stand 3 minutes. Allow the 38 and 60 oz (1.1 and 1.7 kg) entrees to stand 5 minutes.	10 oz, 20 oz, 40 oz, 60oz (283 g, 567 g, 1.1 kg, 1.7 kg)

Popcorn

3.0 or 3.5 oz bags.

- Do not use regular paper bags or glassware
- Pop only one package of popcorn at a time.
- Follow manufacturer's instructions when using a microwave popcorn popper.
- Listen for popping to slow to one pop every 1 or 2 seconds, and then stop the cycle.
- Do not repop unpopped kernels.
- For best results, use fresh bags of popcorn.
- Cooking results may vary by brand and fat content.

NOTE: Follow the instructions provided by the microwave popcorn manufacture.

Potato

Item	Food Category	Quantity
L - Large	Enter 1-4 pieces, 8-10 oz (227-283 g) each. Pierce each potato several times with a fork. Place a paper towel on turntable center. Let stand 5 minutes after cooking.	1,2,3,4 pieces/1 piece
S - Small Potato	Enter 1-16 pieces, 4-7 oz (110-200 g) each. Pierce each potato several times with a fork. Place on paper towel on turntable center. Let stand 5 minutes after cooking.	1-16 pieces/1 piece

Dinner Plate (Reheat Menu)

Times and cooking powers have been preset for reheating a number of food types.

Use the following chart as a guide.

Item	Food Category	Quantity
P1	Dinner plate Place food on plate. Cover with plastic wrap and vent. Let stand 2-3 minutes after reheating.	10-15 oz (283-425 g) (Sensor Cooking)
P2	Sauce Place in microwave-safe container. Cover with plastic wrap and vent. Stir and let stand 2-3 minutes after reheating.	1, 2, 3, 4 cups
P3	Soup Place in microwave-safe container. Cover with plastic wrap and vent. Stir and let stand 2-3 minutes after reheating.	1, 2, 3, 4 cups
P4	Beverage Do not cover.	1, 2, 3, 4 cups
P5	Reheat Pizza Place on paper towel lined microwave-safe plate.	1-3 sliced, 4 oz (113 g) per slice (Sensor cooking)

Soften

Soften function may be used to soften your food. Times and cooking powers have been preset for a number of food types. Use the following chart as a guide.

Item	Food Category	Quantity
P1	Butter Unwrap and place in microwave-safe container.	0.5-2.0 sticks/0.5 stick
P2	Ice-cream Place ice-cream container on turntable.	16-64 oz/16 oz (454 g-1.8 kg/454 g)
P3	Cream Cheese Unwrap and place in microwave-safe container.	3 oz, 8 oz (85 g, 227 g)
P4	Brown Sugar Place in microwave-safe container.	3 oz, 8 oz (85 g, 227 g)
P5	Frozen Juice Remove lid.	8 oz, 12 oz (227 g, 340 g)
P6	Caramel Dip Remove lid from caramel dip and place in center of microwave oven.	8 oz, 16 oz (227 g, 454 g)

Melt

Melt function may be used to melt your food. Times and cooking powers have been preset for a number of food types. Use the following chart as a guide.

Item	Food Category	Quantity
P1	Butter Unwrap and place in microwave-safe container	0.5-2.0 sticks/ 0.5 stick
P2	Chocolate Chips Place in microwave-safe container	4-12 oz/4 oz (113-340 g/113 g)
P3	Cream Cheese Unwrap and place in microwave-safe container	8 oz, 16 oz (227 g, 454 g)
P4	Caramel Dip Unwrap and place in microwave-safe container	8 oz, 16 oz (227 g, 454 g)

Auto Defrost

- For optimal result, food should be 0°F (-18°C) or colder when defrosting.
- Unwrap foods and remove lids (from fruit juice) before defrosting.
- Shallow packages will defrost more quickly than deep blocks.
- Separate food pieces as soon as possible during or at the end of the cycle for more even defrosting.
- Foods left outside the freezer for more than 20 minutes or frozen ready-made food should not be defrosted using the Defrost feature but should be defrosted manually.
- Use small pieces of aluminum foil to shield parts of food such as chicken wings leg tips, and fish tails. See the “Aluminum Foil and Metal” section first.
- Times and cooking powers have been preset for defrosting a number of food types.

Item	Food Category	Weight
P1	Poultry	0.5 lbs-6.6 lbs/0.1 lbs
P2	Meat	0.5 lbs-6.6 lbs/0.1 lbs
P3	Fish	0.5 lbs-6.6 lbs/0.1 lbs

DEFROST PREPARATION CHART

POULTRY

Chicken: whole and cut up

Cornish hens

Turkey: breast

Place in a microwave safe container, chicken breast side up. Remove giblets from whole chicken.

MEAT

Beef: ground, steaks, roast, stew

Lamb: stew and chops

Pork: chops, ribs, roasts, sausage

The narrow or fatty areas of irregular-shaped cuts should be shielded with foil before defrosting.

Do not defrost less than 1/4 lb (113 g) or two 4 oz (113 g) patties.

Place all meats in a microwave-safe container.

FISH

Filletts, Steaks, Whole, Shellfish

Place in a microwave-safe container.

Steam Clean

This automatic cleaning cycle will help you to clean the microwave oven cavity and to remove unpleasant odors.

Before starting the cycle:

1. Put 250 mL water into a container (see our recommendations in the below section “Tips and suggestions”).
2. Place the container directly on the middle of the cavity.

To Start The Cycle:

1. Press the Steam Clean button, the cleaning cycle duration will be visible on the display.
2. Press the Start button to Start the function.

When The Cycle Is Finished:

1. Press the Cancel button.
2. Remove the container.
3. Use a soft cloth or a paper towel with mild detergent to clean the interior surfaces.

Tips and suggestions:

For a better cleaning result, it is recommended to use a container with a diameter of 17-20 cm, and a height that is lower than 6.5 cm.

It is recommended to use a container of light plastic material that is suitable for the microwave.

As the container will be hot after the cleaning cycle is completed, it is recommended to use a heat resistant glove when removing the container from the microwave.

For a better cleaning effect and removal of unpleasant odors, add some lemon juice or vinegar to the water.

Keep Warm

This function allows you to keep your dishes warm.

1. Touch “Keep Warm” button.
2. Press +/- button to select suitable time, then press Start button to Start.
Default time is 30 minutes, maximum time is 60 minutes.

Food	Weight Container	Temperature	Container
Tuna	4 cups	165°F (73.8°C)	Microwave safe dish
Noodle	(880 g)		
Casserole			

MICROWAVE OVEN CARE

General Cleaning

IMPORTANT: Before cleaning, make sure all controls are off and the microwave oven is cool. Always follow label instructions on cleaning products.

Soap, water, and a soft cloth or sponge are suggested unless otherwise noted.

MICROWAVE OVEN CAVITY

To avoid damage to the microwave oven cavity, do not use soap-filled scouring pads, abrasive cleaners, steel-wool pads, gritty washcloths, or some recycled paper towels.

To avoid damage to stainless steel models, rub in direction of grain.

The area where the microwave oven door and frame touch when closed should be kept clean.

Average soil

- Mild, nonabrasive soaps and detergents:
Rinse with clean water and dry with soft, lint-free cloth.

Heavy soil

- Mild, nonabrasive soaps and detergents:
Heat 1 cup (250 mL) of water for 2 to 5 minutes in microwave oven. Steam will soften soil. Rinse with clean water and dry with soft, lint-free cloth.

Odors

- Lemon juice or vinegar:
Heat 1 cup (250 mL) of water with 1 tbs (15 mL) of either lemon juice or vinegar for 2 to 5 minutes in microwave oven.

Microwave Inlet Cover

To avoid arcing and microwave oven damage, the microwave inlet cover (see the "Parts and Features" section) should be kept clean.

- Wipe with wet cloth.

MICROWAVE OVEN DOOR AND EXTERIOR

The area where the microwave oven door and frame touch when closed should be kept clean.

- Mild, nonabrasive soaps and detergents:
Rinse with clean water and dry with soft, lint-free cloth.
- Glass cleaner and paper towels or nonabrasive plastic scrubbing pad:
Apply glass cleaner to towel, not directly to surface.

Stainless Steel (on some models)

To avoid damage to microwave oven door and exterior, do not use soap-filled scouring pads, abrasive cleaners, steel-wool pads, gritty washcloths, or some paper towels. Rub in direction of grain.

- Stainless steel cleaner (not included):
See "Assistance or Service" section to order.
- All-purpose cleaner:
Rinse with clean water and dry with soft, lint-free cloth.
- Vinegar for hard water spots

CONTROL PANEL

- Sponge or soft cloth and water:
Dampen sponge with water and wipe panel. Dry with soft cloth.
- To avoid damage to the control panel, do not use chemical or abrasive cleansers.

TURNTABLE

Replace turntable immediately after cleaning. Do not operate the microwave oven without the turntable in place.

- Mild cleanser and scouring pad
- Dishwasher

CONVECTION AND GRILL RACKS

Dishwasher cleaning is not recommended. To avoid damage to the convection and grill racks, do not use abrasive cleansers or scrubbers.

- Mild soap, water, and washcloth.

TROUBLESHOOTING

First try the solutions suggested here. If you need further assistance or more recommendations that may help you avoid a service call, refer to the warranty or visit <https://www.kitchenaid.com/service-and-support>, or in Canada <https://www.kitchenaid.ca/service-and-support>.

Contact us by mail with any questions or concerns at the address below:

In the U.S.A.:

KitchenAid Brand Home Appliances
Customer eXperience Centre
553 Benson Road
Benton Harbor, MI 49022-2692

In Canada:

KitchenAid Brand Home Appliances
Customer eXperience Centre
220-6750 Century Ave
Mississauga, Ontario L5N 0B7

Please include a daytime phone number in your correspondence.

If you experience	Recommended Solutions
Nothing will operate	<p>Check the following:</p> <ul style="list-style-type: none"> ■ Household fuse or circuit breaker: If a household fuse has blown or a circuit breaker has tripped, replace the fuse or reset the circuit breaker. If the problem continues, call an electrician.
Microwave oven will not operate	<p>Check the following:</p> <ul style="list-style-type: none"> ■ Magnetron: Try to heat 1 cup (250 mL) of cold water for 2 minutes at 100% cooking power. If water does not heat, try the steps in the bullets below. If microwave oven still does not operate, call for service. ■ Door: Firmly close door. On some models, if a packaging spacer is attached to the inside of the door, remove it, then firmly close door. If a message about the door appears in the display, the door has been closed for 5 minutes or more without the microwave oven being started. This occurs to avoid unintended starting of the microwave oven. Open and close the door, then Start the cycle. ■ Control: Make sure control is set properly. Make sure Control Lock is OFF. Make sure Demo mode (on some models) is OFF.
Microwave oven makes humming noise	<ul style="list-style-type: none"> ■ This is normal and occurs when the power supply in the magnetron cycles on.
Microwave oven door looks wavy	<ul style="list-style-type: none"> ■ This is normal and will not affect performance.
Turntable will not operate	<p>Check the following:</p> <ul style="list-style-type: none"> ■ Turntable: Make sure turntable is correct side up and is sitting securely on the turntable support. See the “Turntable” section. ■ Turntable support: Remove turntable. Remove and clean turntable hub, support, and rollers. Replace hub, support, and turntable. Place 1 cup (250 mL) of water on the turntable, then restart microwave oven. If it still is not working, call for service. See the “Assistance or Service” section. Do not operate the microwave oven without turntable and turntable support working properly.
Turntable alternates rotation directions	<ul style="list-style-type: none"> ■ This is normal and depends on motor rotation at the beginning of the cycle.
Display shows messages	<ul style="list-style-type: none"> ■ A flashing “0:00” means there has been a power failure. Reset the clock.
Display shows time countdown, but the microwave oven is not operating	<p>Check the following:</p> <ul style="list-style-type: none"> ■ Timer: See the “Timer” section.
Tones are not sounding	<p>Check the following:</p> <ul style="list-style-type: none"> ■ Tones: See the “Tones” section.
Cooking times seem too long	<p>Check the following:</p> <ul style="list-style-type: none"> ■ Cooking power: See the “Microwave Cooking Power” section. ■ Amount of food: Larger amounts of food need longer cooking times. ■ Voltage: Have a qualified electrician check the electrical system in the home.
Odor coming from microwave oven during convection and/grill cooking	<ul style="list-style-type: none"> ■ This is normal for the first few convection and/or grills cycles. The odor will dissipate with repeated use.

ASSISTANCE OR SERVICE

If you need service:

For information on warranty, please visit www.kitchenaid.com/service-and-support, or in Canada www.kitchenaid.ca/service-and-support.

If you need replacement parts:

If you need to order replacement parts, we recommend that you use only factory specified parts. These factory specified parts will fit right and work right because they are made with the same precision used to build every new KitchenAid® appliance.

To locate factory specified parts in your area, call us or your nearest KitchenAid® designated service center.

In the U.S.A.

Call the KitchenAid Customer eXperience Center toll-free: **1-800-422-1230** or visit our website at www.kitchenaid.com.

Our consultants provide assistance with:

- Scheduling of service. KitchenAid® appliances designated service technicians are trained to fulfill the product warranty and provide after-warranty service anywhere in the United States.
- Features and specifications on our full line of appliances.
- Referrals to local KitchenAid® appliance dealers.
- Installation information.
- Use and maintenance procedures.
- Accessory and repair parts sales.
- Specialized customer assistance (Spanish speaking, hearing impaired, limited vision, etc.).

For further assistance:

If you need further assistance, you can write to KitchenAid with any questions or concerns at:

KitchenAid Brand Home Appliances
Customer eXperience Center
553 Benson Road
Benton Harbor, MI 49022-2692

Please include a daytime phone number in your correspondence.

In Canada

Call the KitchenAid Customer eXperience Center toll-free: **1-800-807-6777** or visit our website at www.kitchenaid.ca.

Our consultants provide assistance with:

- Scheduling of service. KitchenAid® appliances designated service technicians are trained to fulfill the product warranty and provide after-warranty service anywhere in Canada.
- Features and specifications on our full line of appliances.
- Referrals to local KitchenAid® appliance dealers.
- Use and maintenance procedures.
- Accessory and repair parts sales.

For further assistance:

If you need further assistance, you can write to KitchenAid with any questions or concerns at:

KitchenAid Brand Home Appliances
Customer eXperience Centre
200-6750 Century Ave.
Mississauga, Ontario L5N 0B7

Please include a daytime phone number in your correspondence.

Replacement Parts

Glass Turntable
Part Number W11664476

Turntable Hub
Part Number W11664468

Turntable Support and Rollers
Part Number W11664467

Built-In Kits

This counter top microwave oven can be built in by using one of the following trim kits*. These kits are available from the dealer or can be ordered by kit model number. See the "Assistance or Service" section for the toll-free number.

Kit Size	Kit Model Numbers/Color
27" (68.6 cm)	MTK1627PZ/Stainless
	MTK1627PV /Black stainless Steel
	MTK1627PB/Black
30" (76.2 cm)	MTK1630PZ/Stainless
	MTK1630PV/Black stainless Steel
	MTK1630PB/Black

*The built-in trim kits can be installed over any (electric or gas) built-in wall oven, up to 30" (76.2 cm).

SÉCURITÉ DU FOUR À MICRO-ONDES

Votre sécurité et celle des autres est très importante.

Nous donnons de nombreux messages de sécurité importants dans ce manuel et sur votre appareil ménager. Assurez-vous de toujours lire tous les messages de sécurité et de vous y conformer.



Voici le symbole d'alerte de sécurité.

Ce symbole d'alerte de sécurité vous signale les dangers potentiels de décès et de blessures graves à vous et à d'autres.

Tous les messages de sécurité suivront le symbole d'alerte de sécurité et le mot "DANGER" ou "AVERTISSEMENT". Ces mots signifient :

⚠ DANGER

Risque possible de décès ou de blessure grave si vous ne suivez pas immédiatement les instructions.

⚠ AVERTISSEMENT

Risque possible de décès ou de blessure grave si vous ne suivez pas les instructions.

Tous les messages de sécurité vous diront quel est le danger potentiel et vous disent comment réduire le risque de blessure et ce qui peut se produire en cas de non-respect des instructions.

IMPORTANTES INSTRUCTIONS DE SÉCURITÉ

Lors de l'utilisation de tout appareil ménager électrique on doit observer certaines précautions de sécurité fondamentales, dont les suivantes :

AVERTISSEMENT : Pour réduire le risque de brûlures, de choc électrique, d'incendie, de blessures et l'exposition excessive à l'énergie des micro-ondes :

- Lire la totalité des instructions avant d'utiliser le four à micro-ondes.
- Lire et observer les instructions spécifiques de "PRÉCAUTIONS CONTRE LE RISQUE D'EXPOSITION EXCESSIVE À L'ÉNERGIE DES MICRO-ONDES" dans cette section.
- Le four à micro-ondes doit être relié à la terre. Brancher l'appareil uniquement sur une prise de courant convenablement reliée à la terre. Voir les "INSTRUCTIONS DE LIAISON À LA TERRE" présentées dans la section "INSTRUCTIONS D'INSTALLATION".
- Installer ou placer le four à micro-ondes uniquement selon les instructions d'installation fournies.
- Certains produits, comme les œufs entiers dans leur coquille et les récipients fermés - par exemple les bocaux en verre fermés - peuvent exploser et on ne doit pas les faire chauffer dans le four à micro-ondes.
- Utiliser le four à micro-ondes uniquement pour les applications auxquelles il est destiné, telles qu'elles sont décrites dans ce manuel. Ne pas utiliser de vapeurs ou de produits chimiques corrosifs dans le four à micro-ondes. Ce type de four est spécifiquement conçu pour chauffer, cuire ou sécher des aliments. Il n'est pas conçu pour des applications industrielles ou de laboratoire.
- Comme pour tout appareil ménager, les enfants ne devraient utiliser ce four que sous une supervision adéquate.
- Ne pas faire fonctionner le four à micro-ondes si le cordon d'alimentation ou la fiche de branchement est endommagé, s'il ne fonctionne pas correctement, s'il a subi des dommages ou s'il est tombé.
- Tous les travaux de service doivent être exécutés exclusivement par un personnel d'entretien qualifié. Contacter un centre de service autorisé pour les opérations d'inspection, de réparation ou de réglage.
- Ne pas couvrir ni obstruer toute ouverture sur le four à micro-ondes.
- Ne pas remiser ce four à micro-ondes à l'extérieur. Ne pas utiliser le four à micro-ondes à proximité d'eau - par exemple, près d'un évier de cuisine, dans un sous-sol humide ou près d'une piscine ou à un emplacement similaire.
- Ne pas immerger le cordon ou la fiche de branchement dans l'eau.
- Garder le cordon d'alimentation loin des surfaces chauffées.
- Ne pas laisser le cordon d'alimentation pendre sur le bord d'une table ou d'un comptoir.
- Voir les instructions de nettoyage de la surface de la porte à la section "Entretien du four à micro-ondes".
- Pour réduire le risque d'incendie dans la cavité du four :
 - Ne pas faire cuire les aliments excessivement. Surveiller attentivement le four à micro-ondes après y avoir placé des produits en papier, en plastique ou autres matériaux combustibles pour faciliter la cuisson des aliments.
 - Enlever les attaches métalliques des sachets en papier ou en plastique avant de placer de tels sachets dans le four.
 - En cas d'inflammation de matériaux placés à l'intérieur du four, maintenir la porte du four fermée, arrêter le four, débrancher le four, ou interrompre l'alimentation électrique au niveau du tableau de distribution (fusible ou disjoncteur).
 - Ne pas utiliser la cavité du four comme espace de rangement. Ne pas laisser dans le four des produits en papier, ustensiles de cuisine ou produits alimentaires, lorsqu'il n'est pas utilisé.

CONSERVEZ CES INSTRUCTIONS

IMPORTANTES INSTRUCTIONS DE SÉCURITÉ

- Les liquides tels que l'eau, le café ou le thé peuvent trop chauffer - au-delà du point d'ébullition - sans sembler bouillir. Il n'y a pas toujours des bulles ou une ébullition lorsqu'on retire le récipient du four à micro-ondes. À CAUSE DE CECI, DES LIQUIDES TRÈS CHAUDS POURRAIENT DÉBORDER LORSQU'ON BOUGE LE RÉCIPIENT OU QUE L'ON UTILISE UNE CUILLÈRE OU UN AUTRE USTENSILE POUR LE REMUER.

Pour réduire le risque de blessures corporelles :

- Ne pas trop faire chauffer le liquide.
- Remuer le liquide avant et pendant le chauffage.
- Ne pas utiliser de récipients à parois droites avec des ouvertures étroites.
- Une fois chaud, laisser le récipient dans le four à micro-ondes un moment avant de le retirer.
- Faire très attention lorsqu'on utilise une cuillère ou un autre ustensile dans le récipient.

CONSERVEZ CES INSTRUCTIONS

PRÉCAUTIONS CONTRE LE RISQUE D'EXPOSITION EXCESSIVE À L'ÉNERGIE DES MICRO-ONDES

(a) Ne pas tenter de faire fonctionner ce four lorsque la porte est ouverte, car ceci pourrait susciter une exposition dangereuse à l'énergie des micro-ondes. Il est important de ne pas entraver le fonctionnement correct du dispositif de verrouillage de sécurité.

(b) Ne pas placer d'objet entre la surface avant du four et la porte, et ne jamais laisser des souillures ou résidus de produits de nettoyage s'accumuler sur les surfaces d'étanchéité.

(c) Ne pas faire fonctionner le four lorsqu'il est endommagé. Il est particulièrement important que la porte du four ferme convenablement et que les composants suivants ne soient pas endommagés :

- (1) Porte (déformation),
- (2) Charnières et dispositif de verrouillage (brisés ou desserrés),
- (3) Joints de porte et surfaces d'étanchéité.

(d) Seul un personnel d'entretien qualifié est habilité à exécuter des réparations ou réglages sur cet appareil.

Ce dispositif est conforme à la section 18 des règlements FCC.
Ce dispositif est conforme à la norme ICES-001 d'Industrie Canada.

INSTRUCTIONS D'INSTALLATION

Déballage

1. Ôter du four à micro-ondes tous les matériaux d'emballage divers.
2. Nettoyer l'intérieur du four avec un chiffon doux humide.
3. Vérifier l'absence de dommages tels que :
 - porte qui n'est pas alignée correctement,
 - dommages autour de la porte, ou
 - bosses à l'intérieur ou à l'extérieur du four à micro-ondes.

En cas de dommage quelconque, ne pas faire fonctionner le four à micro-ondes avant qu'un technicien de service désigné n'ait vérifié le four et ait effectué les réparations nécessaires.

REMARQUE : Pour éviter les dommages au four à micro-ondes, ne pas enlever le capot d'orifice du four à micro-ondes. Consulter la section « Pièces et caractéristiques ».

Exigences d'emplacement

AVERTISSEMENT

Risque du poids excessif

Utiliser deux ou plus de personnes pour déplacer et installer le four à micro-ondes.

Le non-respect de cette instruction peut causer une blessure au dos ou d'autre blessure.

IMPORTANT : Le côté de l'appareil où se trouve la commande est le plus lourd. Manipuler le four à micro-ondes délicatement. Le poids du four à micro-ondes est supérieur à 35 lb (15,9 kg).

- Placer le four à micro-ondes sur un chariot, un plan de travail, une table ou une tablette suffisamment solide pour supporter le four à micro-ondes ainsi que les aliments et ustensiles placés à l'intérieur.
- Le four à micro-ondes doit se trouver à une température supérieure à 50 °F (10 °C) pour un fonctionnement correct.

REMARQUE : Certains modèles peuvent être encastrés dans un mur ou une armoire à l'aide d'un des ensembles de finition mentionnés dans la section « Assistance ou dépannage ».

- Ne pas obstruer les conduits d'évacuation ou les ouvertures de prise d'air. Laisser quelques centimètres à l'arrière du four et sur le côté du micro-ondes à l'emplacement des conduits d'évacuation. L'obstruction des conduits d'évacuation peut entraîner des dommages au four à micro-ondes, de même que de médiocres résultats de cuisson.
- Veiller à ce que les pieds du four à micro-ondes soient bien en place pour assurer un flux d'air approprié. Si les événements sont obstrués, un dispositif de sécurité thermique sensible peut commander l'extinction automatique du four à micro-ondes. Le four à micro-ondes devrait fonctionner correctement une fois refroidi.

Spécifications électriques

AVERTISSEMENT



Risque de choc électrique

Brancher sur une prise à 3 alvéoles reliée à la terre.

Ne pas enlever la broche de liaison à la terre.

Ne pas utiliser un adaptateur.

Ne pas utiliser un câble de rallonge.

Le non-respect de ces instructions peut causer un décès, un incendie ou un choc électrique.

Observer les dispositions de tous les codes et règlements en vigueur.

Exigences :

- Alimentation de 120 V, 60 Hz CA seulement, et protégée par un fusible ou un disjoncteur temporisé de 15 A ou 20 A..

Recommandation :

- Fusible ou disjoncteur temporisé
- Circuit distinct exclusif au four à micro-ondes

INSTRUCTIONS DE LIAISON À LA TERRE

■ Pour tout appareil ménager connecté par un cordon de courant électrique :

Il faut que le four à micro-ondes soit relié à la terre. En cas de court-circuit électrique, la liaison à la terre réduit le risque de choc électrique car le courant électrique dispose d'un itinéraire direct d'acheminement à la terre. Le four à micro-ondes est doté d'un cordon de courant électrique qui comporte un fil de liaison à la terre, avec broche de liaison à la terre. On doit brancher la fiche sur une prise de courant convenablement installée et reliée à la terre.

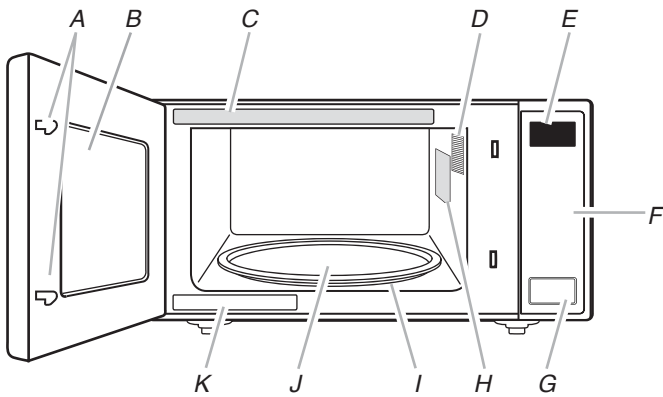
AVERTISSEMENT : L'utilisation incorrecte du dispositif de liaison à la terre peut susciter un risque de choc électrique. L'utilisateur qui ne comprend pas bien les instructions de liaison à la terre, ou qui n'est pas certain que le four à micro-ondes soit convenablement relié à la terre, devrait consulter un électricien ou un technicien qualifié.

Ne pas utiliser un câble de rallonge. Si le cordon de courant électrique est trop court, demander à un électricien ou un technicien qualifié d'installer une prise de courant à proximité du four à micro-ondes.

CONSERVEZ CES INSTRUCTIONS

PIÈCES ET CARACTÉRISTIQUES

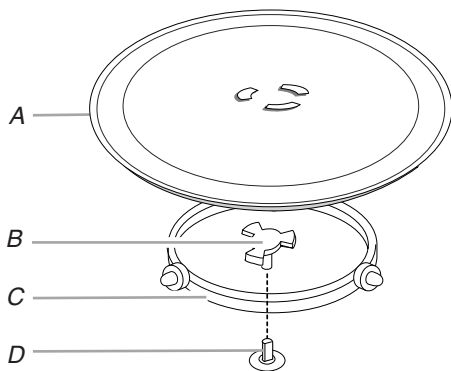
Ce manuel peut couvrir plusieurs modèles différents. Le modèle que vous avez acheté peut comporter certains (ou l'ensemble) des éléments présentés dans ce document. L'apparence de votre modèle peut différer légèrement des illustrations figurant dans ce manuel.



- A. Système de verrouillage de la porte
- B. Fenêtre
- C. Étiquette du guide de cuisson
- D. Éclairage du four à micro-ondes
- E. Afficheur
- F. Tableau de commande
- H. Bouton de commande d'ouverture de la porte
- G. Capot d'orifice du four à micro-ondes*
- I. Support du plateau rotatif amovible
- J. Plateau rotatif en verre
- K. Plaque signalétique des numéros de modèle et de série

***REMARQUE :** Pour éviter les dommages au four à micro-ondes, ne pas enlever le capot d'orifice du four à micro-ondes. Consulter la section « Pièces et caractéristiques ».

Plateau rotatif



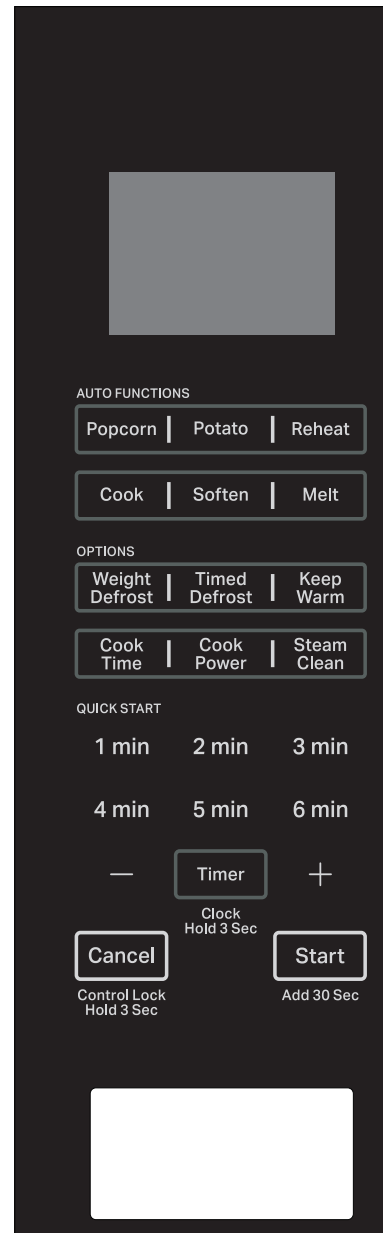
- A. Plateau rotatif
- B. Axe
- C. Support
- D. Tige

Le plateau rotatif peut tourner dans les deux sens pour permettre une cuisson plus uniforme. Pour de meilleurs résultats, ne pas faire fonctionner le four à micro-ondes lorsque le plateau rotatif est enlevé. Voir la section « Assistance ou service » pour commander de nouvelles pièces.

Installation :

- Placer le support dans la cavité du bas du four à micro-ondes.
- Placer le plateau rotatif sur le support.
Insérer les protubérances arrondies au centre du dessous du plateau rotatif entre les 3 rayons de l'axe. Les roulettes sur le support devraient se loger à l'intérieur du pourtour cranté du dessous du plateau rotatif.

COMMANDE DU FOUR À MICRO-ONDES



Instructions relatives aux touches

Touche	Fonction	Instructions
Timer (Minuterie) (Clock Hold 3 seconds [Horloge maintenue 3 secondes])	Maintenir pour régler l'horloge	<p>Pour régler l'horloge, suivre les instructions suivantes :</p> <ol style="list-style-type: none"> 1. Appuyer sur Timer (minuterie) pendant 3 secondes pour accéder au réglage de l'horloge. 2. Appuyer sur le bouton +/- pour régler l'heure, appuyer sur le bouton Start (mise en marche) pour confirmer. 3. Appuyer sur le bouton +/- pour régler les minutes. 4. Appuyer sur le bouton Start (mise en marche). <p>REMARQUE : Le four à micro-ondes doit être en veille. Il apparaîtra également chaque fois que le produit est branché sur la source d'alimentation ou que l'alimentation est rétablie après une panne de courant.</p> <p>REMARQUE : Lorsque l'appareil est branché, l'écran affiche « 12Hr » (« 12 » clignote), utiliser +/- pour changer le format 12 ou 24 heures, appuyer sur Start (mise en marche) pour confirmer; l'écran affiche alors « 12:00 ».</p>
Timer (Minuterie) (Clock Hold 3 seconds [Horloge maintenue 3 secondes])	Réglage de la minuterie de cuisine	<p>Le minuteur de cuisine fonctionne comme un chronomètre. Pour régler la minuterie de cuisine, suivre les instructions suivantes :</p> <ol style="list-style-type: none"> 1. Appuyer sur le bouton Timer (minuterie). 2. Appuyer sur le bouton +/- pour saisir la durée désirée. 3. Appuyer sur le bouton Start (mise en marche). <p>REMARQUE : Si la minuterie est active sur l'affichage, appuyer sur Cancel (annulation) pour l'annuler. La minuterie ne se met pas en marche et n'arrête pas le four à micro-ondes.</p>
Start (Mise en marche) (Add 30 seconds [ajouter 30 secondes])	Ajouter 30 secondes	<p>Le bouton Start (mise en marche) peut être utilisé de deux façons :</p> <ol style="list-style-type: none"> 1. Pour démarrer le micro-ondes en cuisant pendant 30 secondes à pleine puissance à partir du mode veille. 2. Pour augmenter la durée de cuisson de 30 secondes. Chaque pression ajoute 30 secondes.
Start (Mise en marche) (Add 30 seconds [ajouter 30 secondes])	Fonction de mise en marche	<p>Appuyer sur le bouton Start (mise en marche) pour lancer une fonction de cuisson. Si la cuisson est interrompue en ouvrant la porte, appuyer sur le bouton Start (mise en marche) une fois la porte refermée pour relancer le programme.</p>
Cancel (Annulation) (Control Lock Hold 3 secondes [verrouillage des commandes – appuyer pendant 3 s])	Annuler le four à micro-ondes	<p>Le bouton Cancel (annulation) arrête toutes les fonctions du four à micro-ondes, sauf l'horloge et le verrouillage des commandes. Le four à micro-ondes s'arrête aussi lorsque la porte est ouverte. Lorsque la porte est ouverte, l'élément ou les éléments s'arrêteront, mais l'ampoule du four à micro-ondes restera allumée. Fermer la porte et appuyer sur le bouton Start (mise en marche) pour reprendre le programme préréglé.</p>
Cancel (Annulation) (Control Lock Hold 3 secondes [verrouillage des commandes – appuyer pendant 3 s]) 1 min à 6 min	Activer le verrouillage des commandes	<p>Activer le verrouillage des commandes pour éviter une mise en marche accidentelle. Pour activer, maintenir enfoncée le bouton Cancel (annuler) pendant 3 secondes, jusqu'à ce que Control Locked (commandes verrouillées) s'affiche à l'écran. Répéter pour déverrouiller les commandes.</p>
	Démarrage rapide	<p>Pleine puissance par défaut dans cette fonction (P100). Appuyer sur 1 min, 2 min... ou 6 min pour démarrer avec la durée mentionnée sur la touche.</p>
Cook Time (temps de cuisson)	Réglage manuel de la durée et	<p>Appuyer sur le bouton « Cook Time » (Temps de cuisson) pour régler le temps de cuisson manuel. Le niveau de puissance par défaut est de 100 %. Appuyer sur la touche +/-, 1 min–6 min pour régler la durée de cuisson, suivre les instructions suivantes :</p> <ol style="list-style-type: none"> 1. Appuyer sur le bouton « Cook Time » (Temps de cuisson), « 0:15 » s'affiche à l'écran. 2. Appuyer sur la touche +/-, 1 min–6 min pour régler la durée de cuisson. 3. Appuyer sur le bouton Start (mise en marche) pour commencer. <p>REMARQUE : Appuyer sur le bouton « Power » (puissance) pour augmenter/diminuer les niveaux de puissance de manière cyclique P10, P20, P30..... P100.</p>

Touche	Fonction	Instructions
Cook Power (puissance de cuisson)	Réglage manuel de la durée et	Appuyer sur le bouton « Power » (puissance) pour régler la puissance manuellement. Le niveau de puissance par défaut est de 100 %. Appuyer sur le bouton « Power » (puissance) ou sur la touche +/- pour modifier le niveau de puissance. Par exemple, pour régler la minuterie à 2:30 et la puissance à 90 % : <ol style="list-style-type: none"> 1. Appuyer sur le bouton « Power » (puissance), P100 s'affiche à l'écran. 2. Appuyer sur le bouton – pour réduire le niveau de puissance à 90 % (P90 à l'écran). 3. Appuyer sur le bouton Start (mise en marche) pour confirmer et passer au réglage de la durée de cuisson, la valeur par défaut « 0:15 » s'affiche à l'écran. 4. Appuyer sur le bouton +/- pour saisir la durée désirée « 2:30 ». 5. Appuyer sur le bouton Start (mise en marche).
Weight Defrost (Décongélation au poids)	Décongélation automatique	La fonction de décongélation automatique aide avec les aliments surgelés. Pour décongeler, suivre les instructions ci-dessous : <ol style="list-style-type: none"> 1. Appuyer sur le bouton « Auto Defrost (décongélation automatique), P1 s'affiche à l'écran. 2. Appuyer sur le bouton « Auto Defrost » ou sur la touche +/- pour sélectionner la classe d'aliments souhaitée. 3. Appuyer sur le bouton Start (mise en marche) pour confirmer, l'écran affichera le poids par défaut. 4. Appuyer sur le bouton +/- pour saisir le poids désiré. 5. Appuyer sur le bouton Start (mise en marche).
Timed Defrost (Décongélation minutée)	Décongélation manuelle	La puissance de décongélation a été réglée, sélectionner la durée de décongélation. <ol style="list-style-type: none"> 1. Appuyer sur le bouton « Manual Defrost » (décongélation manuelle), « 0:30 » s'affiche à l'écran. 2. Appuyer sur le bouton +/- pour saisir la durée de décongélation. 3. Appuyer sur le bouton Start (mise en marche).
Reheat (réchauffage)	Réchauffage	Pour réchauffer en utilisant les fonctions préréglées, suivre les instructions ci-dessous : <ol style="list-style-type: none"> 1. Appuyer sur le bouton « Dinner Plate/Reheat Menu » (menu assiettée/réchauffer), « P1 » s'affiche à l'écran. 2. Utiliser le bouton +/- ou « Dinner Plate/Reheat Menu » (menu assiettée/réchauffer) pour sélectionner une catégorie d'aliments. Consulter la section RÉCHAUFFAGE de ce guide pour connaître les catégories d'aliments ou l'étiquette sur la plaque avant du four à micro-ondes. 3. Appuyer sur le bouton Start (mise en marche). 4. Sensor Cooking (cuisson par détection) (sauf pour les sauces, soupes et boissons) : Un capteur dans le four à micro-ondes détecte l'humidité dégagée par l'aliment au fur et à mesure qu'il chauffe et règle automatiquement la durée de cuisson en conséquence. (Lorsqu'on sélectionne Sauce, Soupe et Boisson, l'écran affiche le poids par défaut. Appuyer sur le bouton +/- pour saisir le poids désiré. Appuyer sur le bouton Start (mise en marche).)
Popcorn (Maïs à éclater)	Maïs à éclater	Pour utiliser le préréglage de maïs à éclater, suivre les instructions suivantes : <ol style="list-style-type: none"> 1. Appuyer plusieurs fois sur le bouton « Popcorn » (maïs à éclater) pour sélectionner la taille du sac (3,0 ou 3,5 oz). 2. Appuyer sur le bouton Start (mise en marche).
Potato (Pomme de terre)	Cuisson de pommes de terre	Pour utiliser le préréglage de pommes de terre, suivre les instructions suivantes : <ol style="list-style-type: none"> 1. Appuyer plusieurs fois sur le bouton « Potato » (Pommes de terre) pour sélectionner la taille L (grande) ou S (petite) des pommes de terre. 2. Appuyer sur Start (mise en marche) pour confirmer, appuyer sur +/- pour régler la quantité. 3. Appuyer sur le bouton Start (mise en marche).

Touche	Fonction	Instructions
Cook (Cuisson)	Cuisson automatique	<p>Pour le mode Menu cuisson, il n'est pas nécessaire de régler l'heure et la puissance, suivre les instructions suivantes :</p> <ol style="list-style-type: none"> Appuyer sur le bouton « Cook » (Cuisson), « P1 » s'affiche à l'écran. Utiliser le bouton +/- ou « Cook » (Cuisson) pour sélectionner une catégorie d'aliments. Consulter la section Menu de cuisson de ce guide pour connaître les catégories d'aliments ou l'étiquette sur la plaque avant du four à micro-ondes. Appuyer sur le bouton Start (mise en marche). Sensor Cooking (cuisson par détection) : Un capteur dans le four à micro-ondes détecte l'humidité dégagée par l'aliment au fur et à mesure qu'il chauffe et règle automatiquement la durée de cuisson en conséquence. (Pour la cuisson sans détection, l'écran affiche le poids par défaut. Appuyer sur le bouton +/- pour saisir le poids désiré. Appuyer sur le bouton Start (mise en marche).)
Soften (faire ramollir)	Faire ramollir	<p>La fonction Soften (faire ramollir) est utilisée pour faire ramollir des aliments. Utilisation :</p> <ol style="list-style-type: none"> Appuyer sur « Soften » (Faire ramollir), l'écran affiche « P1 ». Utiliser le bouton « Soften » (Faire ramollir) ou la touche +/- pour sélectionner une catégorie d'aliments, voir la section Menu faire ramollir dans ce guide pour la catégorie d'aliments ou se référer à l'autocollant sur la plaque avant du four à micro-ondes. Appuyer sur le bouton Start (mise en marche) pour confirmer. Utiliser le bouton +/- pour modifier la quantité. Appuyer sur le bouton Start (mise en marche).
Melt (faire fondre)	Faire fondre	<p>La fonction Melt (faire fondre) est utilisée pour faire fondre des aliments. Utilisation :</p> <ol style="list-style-type: none"> Appuyer sur « Melt » (Faire fondre), l'écran affiche « P1 ». Utiliser le bouton « Melt » (faire fondre) ou la touche +/- pour sélectionner une catégorie d'aliments, voir la section Menu faire fondre dans ce guide pour la catégorie d'aliments ou se référer à l'autocollant sur la plaque avant du four à micro-ondes. Appuyer sur le bouton Start (mise en marche) pour confirmer. Utiliser le bouton +/- pour modifier la quantité. Appuyer sur le bouton Start (mise en marche).
Keep Warm (Maintien au chaud)	Maintien au chaud	<p>La fonction permet de garder les plats au chaud. Utilisation :</p> <ol style="list-style-type: none"> Appuyer sur le bouton « Keep Warm » (maintien au chaud), « 30:00 » s'affiche à l'écran. Appuyer sur le bouton « Keep Warm » (maintien au chaud) ou +/- pour sélectionner 15 minutes, 30 minutes, 45 minutes ou 60 minutes. Appuyer sur le bouton Start (mise en marche). <p>REMARQUE : Le programme de maintien au chaud dure 15 minutes (30 minutes par défaut), la durée maximale est de 60 minutes. À chaque programme de 15 minutes, le four à micro-ondes s'allume pendant 1,5 minute, puis la lampe de la cavité et le ventilateur s'éteignent, seul le compte à rebours est affiché.</p>
Steam Clean (nettoyage à la vapeur)	Programme d'autonettoyage	<p>Le programme de nettoyage permet de nettoyer la cavité du four à micro-ondes.</p> <ol style="list-style-type: none"> Placer 1 tasse d'eau (~250 ml) au milieu de la cavité. Appuyer sur le bouton « Steam Clean » (nettoyage à la vapeur), la durée par défaut « 13:00 » s'affiche à l'écran. Appuyer sur le bouton Start (mise en marche rapide) pour démarrer la fonction. À la fin du programme de chauffage de l'eau (3 minutes), la lampe de la cavité et le ventilateur s'éteignent et l'écran affiche le compte à rebours. <p>REMARQUE : Suivre les conseils et suggestions de la section Nettoyage à la vapeur.</p>
Tone ON/OFF (Marche/arrêt des signaux sonores)	Activer ou désactiver le signal sonore	<p>La fonction permet d'activer ou de désactiver le signal sonore :</p> <ol style="list-style-type: none"> Appuyer sur le bouton Steam Clean (nettoyage à la vapeur) et le maintenir enfoncée pendant 5 secondes pour mettre l'appareil en sourdine, l'icône de désactivation de la tonalité s'affiche à l'écran. Appuyer de nouveau sur le bouton pendant 5 secondes pour activer le son.

Affichage

Lorsque l'alimentation électrique arrive au four à micro-ondes pour la première fois, « 12Hr » clignote à l'affichage. L'utilisateur peut appuyer sur le bouton Timer/Clock (Minuterie/horloge) ou sur le bouton +/- pour basculer entre 12 heures et 24 heures dans les 10 secondes. Appuyer sur le bouton Start (mise en marche) pour confirmer. Si « 12:00 » apparaît à l'affichage en tout autre moment, cela signifie qu'il y a eu coupure de courant. Régler de nouveau l'horloge si nécessaire. Voir la section « Horloge ».

Mode Standby (veille)

Lorsqu'aucune fonction n'est utilisée, le four à micro-ondes passe en mode veille.

Start (mise en marche)

Le bouton Start (mise en marche) met en marche n'importe quelle fonction. Si la cuisson sans détection est interrompue par l'ouverture de la porte, appuyer sur le bouton Start (mise en marche) pour poursuivre le programme.

REMARQUE : Pour éviter l'utilisation involontaire du four à micro-ondes, il est impossible de lancer une fonction de cuisson si la porte du four à micro-ondes est restée fermée pendant 1 minute. Le mot « door » (porte) apparaît sur l'affichage jusqu'à ce que la porte soit ouverte, puis fermée.

Quick Start/Add 30 seconds (Démarrage rapide/ajouter 30 secondes)

En mode veille, une pression sur le bouton Start (mise en marche) démarre automatiquement le four à micro-ondes à 100 % de sa puissance pendant 30 secondes et ajoute 30 secondes de temps de cuisson, à chaque pression supplémentaire sur la commande. Il est possible d'ajouter du temps à tout programme de cuisson manuel par incréments de 30 secondes, au niveau de puissance actuel, en appuyant sur le bouton Start (mise en marche) pendant la cuisson.

Cancel (annulation)

Le bouton Cancel (annulation) permet d'effacer toute commande invalide et d'annuler n'importe quel programme durant une cuisson. Appuyer sur le bouton Cancel (annulation) pour arrêter le programme. Cette fonction n'effacera pas l'heure.

Le four à micro-ondes s'arrête aussi lorsque la porte est ouverte. Fermer la porte et appuyer sur Start (mise en marche) pour reprendre le programme. Le bouton Cancel (annulation) est également utilisé pour verrouiller et déverrouiller le tableau de commande. Consulter la section « Verrouillage des commandes ».

Pour utiliser le menu sans détection (Maïs à éclater, pommes de terre)

1. Placer l'aliment sur le plateau rotatif et fermer la porte.
 2. Appuyer sur la commande du menu souhaité. La première quantité programmée apparaît sur l'affichage. Toucher plusieurs fois la touche de commande ou les touches numériques pour modifier la quantité.
 3. Appuyer sur Start (mise en marche). Lorsque le programme est terminé, « End » (fin) apparaît sur l'afficheur, et le signal de fin de programme retentit.
 4. Appuyer sur Cancel (arrêt) ou ouvrir la porte pour effacer l'affichage.
-

Clock (Horloge)

Réglage :

Le four à micro-ondes doit être en veille.

1. Appuyer sur Timer/Clock (minuterie/horloge) pendant 3 secondes pour accéder au réglage de l'horloge. Il apparaîtra également chaque fois que le produit est branché sur la source d'alimentation ou que l'alimentation est rétablie après une panne de courant.
2. Appuyer sur le bouton +/- pour régler l'heure.

3. Appuyer sur le bouton Start (mise en marche) pour confirmer.
 4. Appuyer sur le bouton +/- pour régler les minutes.
 5. Appuyer sur le bouton Start (mise en marche) pour confirmer le réglage.
-

Timer (Minuterie)

Réglage :

1. Appuyer sur le bouton Timer/Clock (minuterie/horloge)
2. Appuyer sur le bouton +/- pour saisir la durée désirée.
3. Appuyer sur le bouton Start (mise en marche). Lorsque la durée réglée est écoulée, le signal sonore de fin de programme
4. Lorsque le compte à rebours de la minuterie s'achève sur l'écran, une tonalité sonne. Appuyer sur Cancel (annulation) pour annuler la minuterie.

REMARQUE : La minuterie ne se met pas en marche et n'arrête pas le four à micro-ondes. La fonction ne peut être définie qu'en mode veille.

Tones ON/OFF (Signaux sonores marche/arrêt)

Cette fonction permet à l'utilisateur d'activer/désactiver tous les sons joués par les appareils, y compris la pression de bouton, les avertissements, l'alarme et même la fin des signaux sonores.

Appuyer sur la touche Steam Clean (nettoyage à la vapeur) pendant 5 secondes pour mettre en sourdine, l'appuyer à nouveau pendant 5 secondes pour activer le son.

Control Lock (verrouillage des commandes)

La fonction Control Lock (verrouillage des commandes) désactive les touches du tableau de commande pour empêcher l'utilisation involontaire du four à micro-ondes.

Pour verrouiller/déverrouiller les commandes : Le four à micro-ondes doit être éteint. Appuyer sur le bouton Cancel (annulation) pendant environ 3 secondes jusqu'à ce qu'un signal sonore retentisse et que l'icône Lock (verrouillage) apparaisse sur l'affichage. Répéter pour déverrouiller et effacer l'affichage.

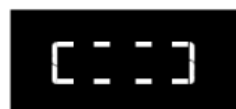
Si l'on appuie sur une commande de cuisson alors que le verrouillage des commandes est activé, un signal sonore retentit.

Fin de cuisson

Lorsque la cuisson est terminée, l'écran affiche le texte « End » (fin). Un bip de rappel retentit.

Pour utiliser le menu avec détection (Réchauffer, menu de cuisson)

1. Placer l'aliment sur le plateau rotatif et fermer la porte.
2. Appuyer sur la commande du menu souhaité.
3. Toucher Start (mise en marche), l'animation du segment en cours apparaît à l'écran. Le four à micro-ondes démarre et la cuisson par détection commence.



Le segment en cours reste affiché jusqu'à ce que le capteur détermine le temps de cuisson restant.

4. Lorsque le programme est terminé, « End » (fin) apparaît sur l'afficheur, et les signaux de fin de programme retentissent.
5. Appuyer sur Cancel (arrêt) ou ouvrir la porte pour effacer l'affichage.

(REMARQUE : Sauce, soupe, boisson dans le menu Réchauffer sans utiliser la cuisson par détection).

UTILISATION DU FOUR À MICRO-ONDES

Un magnétron dans le four produit des micro-ondes qui rebondissent sur le plancher, les parois et la voûte en métal et passent à travers le plateau rotatif et les ustensiles de cuisson appropriés pour atteindre l'aliment. Les micro-ondes sont attirées et absorbées par le gras, le sucre et les molécules d'eau des aliments, elles font bouger ces molécules, ce qui produit la friction et la chaleur qui fait cuire les aliments.

- Afin d'éviter d'endommager le four à micro-ondes, ne pas laisser les enfants s'appuyer sur la porte du four à micro-ondes ou s'y balancer.
- Afin d'éviter d'endommager le four à micro-ondes, ne pas le faire fonctionner lorsqu'il est vide.
- Les biberons et les petits pots d'aliments pour bébé ne doivent pas être chauffés dans le four à micro-ondes.
- Les vêtements, fleurs, fruits, herbes, bois, gourdes, papiers, y compris les sacs en papier d'emballage et les journaux ne doivent pas être séchés dans le four à micro-ondes.
- La paraffine ne fondra pas dans le four, car elle n'absorbe pas les micro-ondes.
- Utiliser des mitaines de four ou des maniques pour enlever les contenants du four.
- Ne pas faire cuire les pommes de terre excessivement. À la fin de la durée de cuisson recommandée, les pommes de terre devraient être légèrement fermes. Laisser les pommes de terre reposer pendant 5 minutes. Elles achèveront de cuire pendant cette période.
- Ne pas faire cuire ou réchauffer des œufs entiers avec leur coquille. L'accumulation de vapeur dans les œufs entiers peut les faire éclater et obligera à nettoyer en profondeur la cavité du four à micro-ondes. Recouvrir les œufs pochés et les laisser reposer.

Caractéristiques des aliments

Lors de la cuisson au four à micro-ondes, la quantité, la taille, la forme, la température de mise en marche, la composition et la densité de l'aliment affectent les résultats de cuisson.

Quantité d'aliments

La quantité d'aliments chauffés à la fois a une incidence sur la durée de cuisson. Vérifier le degré de cuisson et rallonger légèrement la durée si nécessaire.

Taille et forme

Des aliments de petite taille cuiront plus vite que de gros morceaux, et des aliments uniformes cuiront de façon plus égale que des aliments de forme irrégulière.

Température à la mise en marche

Les aliments à température ambiante chaufferont plus vite que les aliments réfrigérés, et les aliments réfrigérés chaufferont plus vite que les aliments surgelés.

Composition et densité

Les aliments à haute teneur en gras et en sucre atteindront une température plus élevée et chaufferont plus vite que les autres. Les aliments lourds et denses, comme la viande et les pommes de terre, demandent un temps de cuisson plus long que les aliments de même taille, mais plus légers et poreux, comme les gâteaux.

Guide de cuisson

Recouvrement

Recouvrir les aliments aide à retenir l'humidité, réduire le temps de cuisson et limiter les éclaboussures. Utiliser le couvercle fourni avec l'ustensile de cuisson. S'il n'y a pas de couvercle, du papier paraffiné, un essuie-tout ou un emballage en plastique approuvé pour les micro-ondes peut être utilisé. L'emballage en plastique doit être replié à un coin pour laisser échapper la vapeur. La condensation sur les surfaces de la porte et de la cavité est normale pendant une cuisson intense.

Remuer et tourner

Remuer et tourner les aliments redistribue la chaleur de manière uniforme pour éviter la cuisson excessive du bord des aliments. Mélanger de l'extérieur vers le centre. Si possible, retourner les aliments.

Disposition

S'il s'agit d'aliments de formes irrégulières ou de dimensions différentes, les parties plus minces et les morceaux plus petits doivent être disposés près du centre. Si l'on cuit plusieurs aliments de même taille et de même forme, les placer en cercle, en laissant le centre du cercle vide.

Perforation

Avant le chauffage, utiliser une fourchette ou un petit couteau pour percer les aliments qui ont une peau ou une membrane, comme les pommes de terre, jaunes d'œufs, foies de poulet, hot dogs et saucisses. Percer plusieurs endroits pour laisser échapper la vapeur.

Protection

Utiliser du papier d'aluminium en petits morceaux pour protéger les parties minces d'aliments de forme irrégulière, les os et les aliments comme les ailes et pilons de poulet et les queues de poisson. Voir d'abord la section « Papier d'aluminium et métal ».

Temps de repos

Les aliments continuent à cuire par conduction naturelle de la chaleur même lorsque le programme du micro-ondes est terminé. La durée du repos dépend du volume et de la densité de l'aliment.

Ustensiles de cuisson et vaisselle

La vaisselle et les ustensiles de cuisson doivent pouvoir être placés sur le plateau rotatif. Toujours utiliser des mitaines de four ou des poignées lors de la manipulation, car les plats peuvent devenir chauds puisqu'ils sont en contact avec des aliments. Ne pas utiliser des ustensiles de cuisson ou de la vaisselle avec garniture en or ou en argent. Utiliser le tableau suivant comme guide, ensuite faire un test avant utilisation.

Matériau	Recommandations
Papier d'aluminium, métal	Voir la section « Papier d'aluminium et métal ».
Plat brunisseur	La partie inférieure doit se trouver au moins à 3/16 po (5 mm) au-dessus du plateau tournant. Suivre les recommandations du fabricant.
Vitrocéramique, verre	Peut être utilisé
Porcelaine, terre cuite	Suivre les recommandations du fabricant.
Mélatamine	Suivre les recommandations du fabricant.
Papier : Chiffons, vaisselle, serviettes de table	Utiliser des produits non recyclés et ceux qui sont approuvés par le fabricant pour l'utilisation dans un four à micro-ondes.
Plastique : Emballages, sacs, couvercles, vaisselle, contenants	Utiliser des produits approuvés par le fabricant pour l'utilisation dans un four à micro-ondes.
Poterie et argile	Suivre les recommandations du fabricant.
Ustensiles de cuisson en silicone	Suivre les recommandations du fabricant.
Paille, osier, contenants en bois	Ne pas utiliser au four à micro-ondes.
Papier paraffiné	Peut être utilisé

Pour vérifier si la vaisselle ou l'ustensile de cuisson peut être utilisé dans un four à micro-ondes :

1. Placer l'ustensile de cuisson ou la vaisselle dans le four à micro-ondes avec une tasse (250 ml) d'eau à côté de l'article.
2. Faire cuire à la puissance de cuisson maximale pendant 1 minute.

Ne pas utiliser cet ustensile de cuisson ou cet article de vaisselle s'il devient chaud alors que l'eau demeure froide.

Papier d'aluminium et métal

Toujours utiliser des mitaines de four ou des poignées pour enlever un contenant du four à micro-ondes.

Le papier d'aluminium et certains métaux peuvent être utilisés dans le four à micro-ondes. Si ces articles ne sont pas correctement utilisés, des arcs (éclairs bleus) peuvent se produire et causer des dommages au four à micro-ondes.

Peut être utilisé

Les grilles et les ustensiles de cuisson fournis avec le four à micro-ondes (sur certains modèles), la feuille d'aluminium pour protection et les thermomètres à viande approuvés peuvent être utilisés en respectant les précautions suivantes :

- Afin d'éviter d'endommager le four à micro-ondes, ne pas laisser les grilles en contact avec les parois internes, la voûte ou le fond du four.
- Toujours utiliser le plateau rotatif.
- Pour éviter d'endommager le four à micro-ondes, ne pas laisser un autre objet métallique entrer en contact avec le four à micro-ondes pendant la cuisson.

Ne pas utiliser

Les ustensiles de cuisson en métal, or, argent ou étain, les thermomètres à viande non approuvés, les brochettes, les attaches, les doublures de papier d'aluminium comme les emballages de sandwich, les agrafes et autres objets avec garniture en or, en argent ou avec un enduit métallique.

Cooking (Cuisson), Sensor Cooking (cuisson par détection)

Le four à micro-ondes a été programmé avec des aliments communs allant au four à micro-ondes, leurs quantités, leurs puissances de cuisson et leurs temps de cuisson.

Utiliser le tableau suivant comme guide pour la cuisson pré-réglée.

Article	Catégories d'aliment	Quantité
P1	Légumes frais À partir de la température ambiante. Placer les aliments dans un plat allant au four à micro-ondes. Ajouter 2 cuillères à table d'eau à 1-2 tasses, ajouter 4 cuillères à table d'eau à 3-4 tasses. Couvrir le plat en laissant une ouverture pour l'aération. Remuer et laisser reposer 2 à 3 minutes après la cuisson.	1 à 4 tasses (Cuisson par détection)
P2	Légumes surgelés À partir de la température de congélation. Placer dans un plat allant au four à micro-ondes. Ajouter 2 cuillères à table d'eau à 1-2 tasses, ajouter 4 cuillères à table d'eau à 3-4 tasses. Couvrir le plat en laissant une ouverture pour l'aération. Remuer et laisser reposer 3 minutes après la cuisson.	1 à 4 tasses (Cuisson par détection)
P3	Gruau Placer dans un récipient allant au micro-ondes et ajouter de l'eau selon les instructions de l'emballage. Ajouter de l'eau, couvrir d'un film plastique et replier un bord d'environ 1/4 po (6 mm) pour faire une ouverture. Placer le récipient au centre du four. Après la cuisson, remuer avec une cuillère ou un fouet jusqu'à obtention d'un mélange homogène.	1 à 4 tasses (Cuisson par détection)
P4	Plat surgelé Retirer le plat de l'emballage et détacher le film recouvrant 3 côtés de l'emballage en laissant l'un des petits côtés encore attaché. Recouvert sans serrer d'un film. Laisser reposer les entrées de 10,5 et 20 oz (297 et 567 g) pendant 3 minutes. Laisser reposer les entrées de 38 et 60 oz (1,1 et 1,7 kg) pendant 5 minutes.	10 oz, 20 oz, 40 oz, 60 oz (283 g, 567 g, 1,1 kg, 1,7 kg)

Popcorn (maïs éclaté)

Sacs de 3,0 ou 3,5 oz.

- Ne pas utiliser de sachets de papier ordinaire ou d'articles en verre
- Ne préparer qu'un sac de maïs à éclater à la fois.
- Suivre les instructions du fabricant lors de l'utilisation d'un éclateur de maïs pour four à micro-ondes.
- Attendre que l'éclatement ralentisse à 1 éclatement toutes les 1 ou 2 secondes, puis mettre fin au programme.
- Ne pas essayer de faire éclater les grains qui n'ont pas éclaté la première fois.
- Pour de meilleurs résultats, utiliser des sachets de maïs à éclater frais.
- Les résultats de cuisson peuvent varier en fonction de la marque et de la teneur en matières grasses.

REMARQUE : Suivre les instructions par le fabricant de maïs à éclater pour four à micro-ondes.

Potato (Pomme de terre)

Article	Catégories d'aliment	Quantité
G – Grand	Entrer 1 à 4 morceaux, 8 à 10 oz (227 à 283 g) chacun. Percer plusieurs fois chaque pomme de terre avec une fourchette. Placer un essuie-tout au centre du plateau rotatif. Laisser reposer 5 minutes après la cuisson.	1, 2, 3, 4 morceaux/ 1 morceau
P – petites pommes de terre	Entrer 1 à 16 morceaux, 4 à 7 oz (110 à 200 g) chacun. Percer plusieurs fois chaque pomme de terre avec une fourchette. Placer sur un essuie-tout au centre du plateau rotatif. Laisser reposer 5 minutes après la cuisson.	1-16 morceaux/ 1 morceau

Dinner Plate (Assiette)

(Reheat [Réchauffer])

Les durées et puissances de cuisson ont été préétablies pour réchauffer plusieurs types d'aliments.

Utiliser le tableau suivant comme guide.

Article	Catégories d'aliment	Quantité
P1	Assiette Placer les aliments sur l'assiette. Recouvrir d'une pellicule de plastique et laisser une ouverture pour laisser l'air s'échapper. Laisser reposer de 2 à 3 minutes après le réchauffage.	10 à 15 oz (283 à 425 g) (Cuisson par détection)
P2	Sauce Placer dans un plat allant au four à micro-ondes. Recouvrir d'une pellicule de plastique et laisser une ouverture pour laisser l'air s'échapper. Remuer et laisser reposer 2 à 3 minutes après le réchauffage.	1, 2, 3, 4 tasses
P3	Soupe Placer dans un plat allant au four à micro-ondes. Recouvrir d'une pellicule de plastique et laisser une ouverture pour laisser l'air s'échapper. Remuer et laisser reposer 2 à 3 minutes après le réchauffage.	1, 2, 3, 4 tasses
P4	Boisson Ne pas couvrir.	1, 2, 3, 4 tasses
P5	Réchauffer une pizza Placer sur une assiette résistante aux micro-ondes avec un essuie-tout posé par-dessus.	1 à 3 pointes de 4 oz (113 g) chacune Cuisson par détection

Soften (Faire ramollir)

La fonction pour ramollir peut être utilisée pour faire ramollir vos aliments. Les durées et puissances de cuisson ont été préétablies pour plusieurs types d'aliments. Utiliser le tableau suivant comme guide.

Article	Catégories d'aliment	Quantité
P1	Beurre Déballer et placer dans un récipient résistant aux micro-ondes.	0,5-2,0 bâtons/0,5 bâton
P2	Crème glacée Placer le pot de crème glacée sur le plateau rotatif.	16 à 64 oz/16 oz (454 g à 1,8 kg/454 g)
P3	Fromage à la crème Déballer et placer dans un récipient résistant aux micro-ondes.	3 oz, 8 oz (85 g, 227 g)
P4	Cassonade Placer dans un plat allant au four à micro-ondes.	3 oz, 8 oz (85 g, 227 g)
P5	Jus congelé Retirer le couvercle.	8 oz, 12 oz (227 g, 340 g)
P6	Trempe au caramel Retirer le couvercle de la trempe au caramel et la placer au centre du four à micro-ondes.	8 oz, 16 oz (227 g, 454 g)

Melt (Faire fondre)

La fonction pour faire fondre peut être utilisée pour faire fondre vos aliments. Les durées et puissances de cuisson ont été préétablies pour plusieurs types d'aliments. Utiliser le tableau suivant comme guide.

Article	Catégories d'aliment	Quantité
P1	Beurre Déballer et placer dans un récipient résistant aux micro-ondes	0,5-2,0 bâtons/ 0,5 bâton
P2	Pépites de chocolat Placer dans un plat allant au four à micro-ondes	4 à 12 oz/4 oz (113 g à 340 g/113 g)
P3	Fromage à la crème Déballer et placer dans un récipient résistant aux micro-ondes	8 oz, 16 oz (227 g, 454 g)
P4	Trempe au caramel Déballer et placer dans un récipient résistant aux micro-ondes	8 oz, 16 oz (227 g, 454 g)

Auto Defrost (décongélation automatique)

- Pour un résultat optimal, la température de l'aliment doit être inférieure ou égale à 0 °F (-18 °C) lors de la décongélation.
- Déballez les aliments et enlevez les couvercles (des jus de fruits) avant la décongélation.
- Les paquets peu épais décongèlent plus rapidement que les morceaux épais.
- Séparer les morceaux d'aliments le plus tôt possible durant ou à la fin du programme pour une décongélation plus uniforme.
- Les aliments laissés hors du congélateur pendant plus de 20 minutes ou les plats préparés surgelés ne doivent pas être décongelés en utilisant la caractéristique Defrost (décongélation), mais doivent être décongelés manuellement.
- Utiliser de petits morceaux de papier d'aluminium pour protéger les aliments comme les ailes et pilons de poulet, ainsi que les queues de poisson. Voir d'abord la section « Papier d'aluminium et métal ».
- Les durées et puissances de cuisson ont été pré-réglées pour décongeler plusieurs types d'aliments.

Article	Catégories d'aliment	Poids
P1	Volaille	0,5 lb à 6,6 lb/0,1 lb
P2	Viande	0,5 lb à 6,6 lb/0,1 lb
P3	Poisson	0,5 lb à 6,6 lb/0,1 lb

TABLEAU DE PRÉPARATION DE DÉCONGÉLATION

VOLAILLE

Poulet : entier et en morceaux
Poulets de Cornouailles
Dinde : poitrine

Placer dans un contenant allant au micro-ondes, la poitrine de poulet vers le haut. Enlever les abats du poulet entier.

VIANDE

Bœuf : haché, bifteck, rôti, ragoût
Agneau : ragoût et côtelettes
Porc : côtelettes, côtes, rôtis, saucisse

Les sections étroites ou grasses des morceaux de forme irrégulière doivent être recouvertes de papier d'aluminium avant la décongélation.

Ne pas décongeler moins de 1/4 lb (113 g) ou deux galettes de 4 oz (113 g).

Placer toutes les viandes dans un contenant allant au micro-ondes.

POISSON

Filets, dardes, entier, crustacés

Placer dans un contenant allant au four à micro-ondes.

Steam Clean (nettoyage à la vapeur)

Ce programme de nettoyage automatique vous aidera à nettoyer la cavité du four à micro-ondes et à éliminer les odeurs désagréables.

Avant de démarrer le programme :

1. Verser 250 ml d'eau dans un récipient (voir nos recommandations dans la section ci-dessous « Conseils et suggestions »).
2. Placer le récipient directement au milieu de la cavité.

Pour démarrer le programme :

1. Appuyer sur le bouton Steam Clean (nettoyage à la vapeur), la durée du programme de nettoyage sera visible sur l'afficheur.
2. Appuyer sur le bouton Start (mise en marche rapide) pour démarrer la fonction.

Une fois le programme terminé :

1. Appuyer sur le bouton Cancel (annulation).
2. Retirer le récipient.
3. Utiliser un chiffon doux ou une serviette en papier avec du détergent doux pour nettoyer les surfaces intérieures.

Conseils et suggestions :

Pour un meilleur résultat de nettoyage, il est recommandé d'utiliser un récipient d'un diamètre de 17-20 cm et d'une hauteur inférieure à 6,5 cm.

Il est recommandé d'utiliser un récipient en matière plastique légère qui convient au micro-ondes.

Étant donné que le récipient sera chaud une fois le programme de nettoyage terminé, il est recommandé d'utiliser un gant résistant à la chaleur pour retirer le récipient du four à micro-ondes.

Pour un meilleur effet nettoyant et une élimination des odeurs désagréables, ajouter du jus de citron ou du vinaigre à l'eau.

Keep Warm (Maintien au chaud)

Cette fonction permet de garder les plats au chaud.

1. Appuyer sur le bouton « Keep Warm » (maintien au chaud).
2. Appuyer sur le bouton +/- pour sélectionner une durée appropriée, puis appuyer sur le bouton Start (mise en marche) pour démarrer. La durée par défaut est de 30 minutes, la durée maximale est de 60 minutes.

Aliment	Poids du récipient	Température	Récipient
Thon	4 tasses	165 °F	Plat allant au four à micro-ondes
Pâtes	(880 g)	(73,8 °C)	
Casserole			

ENTRETIEN DU FOUR À MICRO-ONDES

Nettoyage général

IMPORTANT : Avant le nettoyage, s'assurer que toutes les commandes sont désactivées et que le four à micro-ondes est froid. Toujours suivre les instructions figurant sur les étiquettes des produits de nettoyage.

L'usage de savon, d'eau et d'un chiffon doux ou d'une éponge est suggéré, sauf indication contraire.

CAVITÉ DU FOUR À MICRO-ONDES

Afin d'éviter d'endommager la cavité du four à micro-ondes, ne pas utiliser de tampons à récurer savonneux, de nettoyants abrasifs, de tampons en laine d'acier, de chiffons de lavage rêches ou certains essuie-tout.

Pour éviter d'endommager les modèles en acier inoxydable, frotter dans le sens du grain.

La zone de contact entre la porte fermée et le cadre du four à micro-ondes doit être maintenue propre.

Saleté moyenne

- Savons et détergents doux, non abrasifs : Rincer à l'eau propre et sécher avec un chiffon doux sans charpie.

Saleté tenace

- Savons et détergents doux, non abrasifs : Faire chauffer une tasse (250 ml) d'eau pendant 2 à 5 minutes dans le four à micro-ondes. La vapeur amollira la saleté. Rincer à l'eau propre et sécher avec un chiffon doux sans charpie.

Odeurs

- Jus de citron ou vinaigre : Faire chauffer une tasse (250 ml) d'eau avec 1 c. à soupe (15 ml) de jus de citron ou de vinaigre pendant 2 à 5 minutes dans le four à micro-ondes.

Capot d'orifice du tiroir à micro-ondes

Pour éviter de créer des arcs ou d'endommager le four à micro-ondes, le capot d'orifice (vois la section « Pièces et caractéristiques ») devrait toujours être propre.

- L'essuyer à l'aide d'un chiffon humide.

EXTÉRIEUR ET PORTE DU FOUR À MICRO-ONDES

La zone de contact entre la porte fermée et le cadre du four à micro-ondes doit être maintenue propre.

- Savons et détergents doux, non abrasifs : Rincer à l'eau propre et sécher avec un chiffon doux sans charpie.
- Nettoyant à vitre et serviette de papier ou tampon à récurer non abrasif en plastique : Vaporiser du nettoyant à vitre sur la serviette, pas directement sur la surface.

Acier inoxydable (sur certains modèles)

Afin d'éviter d'endommager l'extérieur et la porte du four à micro-ondes, ne pas utiliser de tampons à récurer savonneux, de nettoyants abrasifs, de tampons en laine d'acier, de chiffons de lavage rêches ou certains essuie-tout. Frotter dans le sens du grain.

- Nettoyant pour acier inoxydable (vendu séparément) : Voir la section « Assistance ou service » pour commander.
- Nettoyant tout-usage : Rincer à l'eau propre et sécher avec un chiffon doux sans charpie.
- Vinaigre pour les taches d'eau dure

TABLEAU DE COMMANDE

- Éponge ou chiffon doux et eau : Mouiller l'éponge et essuyer le panneau. Sécher avec un chiffon doux.
- Afin d'éviter d'endommager le tableau de commande, ne pas utiliser de nettoyants chimiques ou abrasifs.

PLATEAU ROTATIF

Remettre le plateau rotatif en place immédiatement après le nettoyage. Ne pas faire fonctionner le four à micro-ondes lorsque le plateau rotatif est enlevé.

- Nettoyant doux et tampon à récurer
- Lave-vaisselle

GRILLES DE CONVECTION ET DE CUISSON

Le nettoyage au lave-vaisselle n'est pas recommandé. Pour éviter d'endommager les grilles de convection et de cuisson, ne pas utiliser d'éponges ou de nettoyants abrasifs.

- savon doux, eau et chiffon.

DÉPANNAGE

Essayez d'abord les solutions suggérées ici. Pour obtenir de l'aide ou des recommandations supplémentaires pour éviter un appel de service, consultez la garantie ou visitez le www.kitchenaid.com/service-and-support ou au Canada, le www.kitchenaid.ca/service-and-support.

Il est possible d'adresser ses commentaires ou questions par courrier à l'adresse suivante :

Aux États-Unis :

KitchenAid Brand Home Appliances
Customer eXperience Centre
553 Benson Road
Benton Harbor, MI 49022-2692

Au Canada :

KitchenAid Brand Home Appliances
Customer eXperience Centre
220-6750 Century .Ave
Mississauga, Ontario L5N 0B7

Veuillez indiquer dans votre correspondance un numéro de téléphone où l'on peut vous joindre dans la journée.

Si les problèmes suivants surviennent	Solutions recommandées
Rien ne fonctionne	<p>Vérifier ce qui suit :</p> <ul style="list-style-type: none">■ Fusible ou disjoncteur : Si le fusible est grillé ou que le disjoncteur s'est déclenché, remplacer le fusible ou réenclencher le disjoncteur. Si le problème persiste, appeler un électricien.
Le four à micro-ondes ne fonctionne pas	<p>Vérifier ce qui suit :</p> <ul style="list-style-type: none">■ Magnétron : Faire chauffer 1 tasse (250 ml) d'eau froide pendant 2 minutes à puissance de cuisson maximale. Si l'eau ne chauffe pas, essayer les étapes ci-dessous. Si le four à micro-ondes ne fonctionne toujours pas, faire un appel de service.■ Porte : Bien fermer la porte. Sur certains modèles, si une cale d'espacement est fixée à l'intérieur de la porte, la retirer puis bien fermer la porte. Si un message concernant la porte s'affiche, la porte a été fermée depuis au moins 5 minutes sans que le four à micro-ondes ait été mis en marche. Le but du message est d'éviter une mise en marche accidentelle du four à micro-ondes. Ouvrir et fermer la porte, puis démarrer le programme.■ Commande : Vérifier que la commande est réglée correctement. Vérifier que Control Lock (verrouillage des commandes) est désactivé. Vérifier que le mode Demo (démonstration) (sur certains modèles) est éteint.
Le four à micro-ondes bourdonne	<ul style="list-style-type: none">■ Ce bruit est normal et se produit lorsque le bloc d'alimentation dans le magnétron se met en marche.
La porte du four à micro-ondes semble gondolée	<ul style="list-style-type: none">■ Ceci est normal et n'affecte pas la performance.
Le plateau rotatif ne fonctionne pas	<p>Vérifier ce qui suit :</p> <ul style="list-style-type: none">■ Plateau rotatif : S'assurer que le plateau rotatif est à l'endroit et repose bien sur son support. Voir la section « Plateau rotatif ».■ Support du plateau rotatif : Retirer le plateau rotatif. Retirer et nettoyer l'axe, les roulettes et le support du plateau rotatif. Replacer l'axe, le support et le plateau rotatif. Placer une tasse (250 ml) d'eau sur le plateau rotatif, puis remettre le four à micro-ondes en marche. S'il ne fonctionne toujours pas, faire un appel de service. Voir la section « Assistance ou service ». Ne pas faire fonctionner le four à micro-ondes si le plateau rotatif et son support ne fonctionnent pas correctement.
Le plateau rotatif tourne dans les deux sens	<ul style="list-style-type: none">■ Ceci est normal et dépend de la rotation du moteur au début du programme.
Des messages s'affichent	<ul style="list-style-type: none">■ L'affichage clignotant « 0:00 » signifie qu'il y a eu une panne de courant. Régler à nouveau l'horloge.
L'afficheur indique le compte à rebours, mais le four à micro-ondes ne fonctionne pas	<p>Vérifier ce qui suit :</p> <ul style="list-style-type: none">■ Timer (minuterie) : Consulter la section « Minuterie ».
Les signaux sonores ne retentissent pas	<p>Vérifier ce qui suit :</p> <ul style="list-style-type: none">■ Signaux sonores : Voir la section « Signaux sonores ».
Les durées de cuisson semblent trop longues	<p>Vérifier ce qui suit :</p> <ul style="list-style-type: none">■ La puissance de cuisson : Consulter le « Tableau de puissance de cuisson du four à micro-ondes ».■ Quantité d'aliments : Les quantités plus grandes d'aliments nécessitent des durées de cuisson plus longues.■ Tension : Faire vérifier le système électrique du domicile par un électricien qualifié.
Odeur provenant du four à micro-ondes lors de la cuisson par convection et sur grille	<ul style="list-style-type: none">■ Ceci est normal pour les quelques premiers programmes de cuisson par convection et/ou sur grille. L'odeur disparaîtra après quelques utilisations.

ASSISTANCE OU DÉPANNAGE

Si vous avez besoin d'un dépannage :

Pour obtenir des informations sur la garantie, visitez le www.kitchenaid.com/service-and-support ou au Canada, le www.kitchenaid.ca/service-and-support.

Si vous avez besoin de pièces de rechange :

Pour commander des pièces de rechange, nous vous recommandons d'utiliser seulement des pièces spécifiées par l'usine. Les pièces de rechange spécifiées par l'usine fonctionneront bien parce qu'elles sont fabriquées selon la même précision que celle utilisée pour fabriquer chaque nouvel appareil KitchenAid®.

Pour savoir où trouver des pièces spécifiées par l'usine dans votre région, nous appelons ou contacter le centre de service désigné par KitchenAid® le plus proche.

Aux É.-U.

Téléphonez sans frais au Centre pour l'eXpérience de la clientèle KitchenAid au : **1-800-422-1230** ou visitez notre site Web au www.kitchenaid.com.

Nos conseillers peuvent vous aider sur les points suivants :

- Programmation d'une intervention de dépannage. Les techniciens de service désignés par la gamme des appareils électroménagers KitchenAid® sont formés pour remplir la garantie des produits et fournir un service après garantie partout aux États-Unis.
- Caractéristiques et spécifications de notre gamme complète d'appareils ménagers.
- Consultez le revendeur local d'appareils KitchenAid®.
- Renseignements sur l'installation.
- Procédures d'utilisation et d'entretien.
- Vente d'accessoires et de pièces de rechange.
- Assistance spécialisée au client (langue espagnole, malentendants, malvoyants, etc.).

Pour plus d'assistance :

Si vous avez besoin de plus d'assistance, vous pouvez écrire à KitchenAid en soumettant toute question ou problème à :

KitchenAid Brand Home Appliances
Customer eXperience Center
553 Benson Road
Benton Harbor, MI 49022-2692

Veuillez indiquer dans votre correspondance un numéro de téléphone où l'on peut vous joindre dans la journée.

Au Canada

Téléphonez sans frais au Centre pour l'eXpérience de la clientèle KitchenAid au : **1-800-807-6777** ou visitez notre site Web au www.kitchenaid.ca.

Nos conseillers peuvent vous aider sur les points suivants :

- Programmation d'une intervention de dépannage. Les techniciens de service désignés par la gamme d'appareils électroménagers KitchenAid® sont formés pour remplir la garantie des produits et fournir un service après la garantie, partout au Canada.
- Caractéristiques et spécifications de notre gamme complète d'appareils ménagers.
- Consultez le revendeur local d'appareils KitchenAid®.
- Procédures d'utilisation et d'entretien.
- Vente d'accessoires et de pièces de rechange.

Pour plus d'assistance :

Si vous avez besoin de plus d'assistance, vous pouvez écrire à KitchenAid en soumettant toute question ou problème à :

KitchenAid Brand Home Appliances
Customer eXperience Centre
200-6750 Century Ave.
Mississauga, Ontario L5N 0B7

Veuillez indiquer dans votre correspondance un numéro de téléphone où l'on peut vous joindre dans la journée.

Pièces de rechange

Plateau rotatif en verre	Axe du plateau rotatif
Numéro de pièce W11664476	Numéro de pièce
Support et roulettes du plateau rotatif	W11664468
Numéro de pièce W11664467	

Trousses pour fours encastrés

Ce four à micro-ondes de plan de travail peut être encastré à l'aide de l'une des trousse suivantes*. Ces trousse sont disponibles auprès du marchand ou peuvent être commandées en indiquant le numéro de modèle de la trousse. Voir la section « Assistance ou dépannage » pour le numéro sans frais.

Taille de la trousse	Numéros de modèles de la trousse/ couleur
27 po (68,6 cm)	MTK1627PZ/acier inoxydable MTK1627PV/acier inoxydable noir MTK1627PB/noir
30 po (76,2 cm)	MTK1630PZ/acier inoxydable MTK1630PV/acier inoxydable noir MTK1630PB/noir

*Les garnitures intégrées (trousse de garniture) peuvent être installées par-dessus n'importe quel four (électrique ou à gaz) encastré dans le mur, jusqu'à 30 po (76,2 cm).

