

Thank you for choosing KitchenAid® Appliances.

We hold our company to highest quality standards and it is important to us that you have a positive experience owning a KitchenAid® product.

Register your microwave oven at www.kitchenaid.com/owners. In Canada, register your microwave oven at www.kitchenaid.ca/owners.

For future reference, please make a note of your model and serial number located on the front facing of the microwave oven opening, behind the door.

Model Number _____

Serial Number _____

MICROWAVE HOOD COMBINATION SAFETY

Your safety and the safety of others are very important.

We have provided many important safety messages in this manual and on your appliance. Always read and obey all safety messages.



This is the safety alert symbol.

This symbol alerts you to potential hazards that can kill or hurt you and others.

All safety messages will follow the safety alert symbol and either the word "DANGER" or "WARNING."

These words mean:

⚠ DANGER

You can be killed or seriously injured if you don't immediately follow instructions.

⚠ WARNING

You can be killed or seriously injured if you don't follow instructions.

All safety messages will tell you what the potential hazard is, tell you how to reduce the chance of injury, and tell you what can happen if the instructions are not followed.

IMPORTANT SAFETY INSTRUCTIONS

When using electrical appliances basic safety precautions should be followed, including the following:

WARNING: To reduce the risk of burns, electric shock, fire, injury to persons, or exposure to excessive microwave energy:

- Read all instructions before using the microwave oven.
- Read and follow the specific "PRECAUTIONS TO AVOID POSSIBLE EXPOSURE TO EXCESSIVE MICROWAVE ENERGY" found in this section.
- The microwave oven must be grounded. Connect only to properly grounded outlet. See "GROUNDING INSTRUCTIONS" found in this section and in the provided Installation Instructions.
- Install or locate the microwave oven only in accordance with the provided Installation Instructions.
- Some products such as whole eggs in the shell and sealed containers - for example, closed glass jars - are able to explode and should not be heated in the microwave oven.

SAVE THESE INSTRUCTIONS



W11404392A

IMPORTANT SAFETY INSTRUCTIONS

- Use the microwave oven only for its intended use as described in the manual. Do not use corrosive chemicals or vapors in the microwave oven. This type of oven is specifically designed to heat, cook, or dry food. It is not designed for industrial or laboratory use.
- As with any appliance, close supervision is necessary when used by children.
- Do not operate the microwave oven if it has a damaged cord or plug, if it is not working properly, or if it has been damaged or dropped.
- The microwave oven should be serviced only by qualified service personnel. Call an authorized service company for examination, repair, or adjustment.
- Do not cover or block any openings on the microwave oven.
- Do not store this microwave oven outdoors. Do not use the microwave oven near water - for example, near a kitchen sink, in a wet basement, near a swimming pool, or similar locations.
- Do not immerse cord or plug in water.
- Keep cord away from heated surfaces.
- Do not let cord hang over edge of table or counter.
- See door surface cleaning instructions in the "Microwave Oven Care" section.
- To reduce the risk of fire in the oven cavity:
 - Do not overcook food. Carefully attend the microwave oven when paper, plastic, or other combustible materials are placed inside the oven to facilitate cooking.
 - Remove wire twist-ties from paper or plastic bags before placing bags in oven.
 - If materials inside the oven ignite, keep oven door closed, turn oven off, and disconnect the power cord, or shut off power at the fuse or circuit breaker panel.
 - Do not use the cavity for storage purposes. Do not leave paper products, cooking utensils, or food in the cavity when not in use.
- Liquids, such as water, coffee, or tea are able to be overheated beyond the boiling point without appearing to be boiling. Visible bubbling or boiling when the container is removed from the microwave oven is not always present. **THIS COULD RESULT IN VERY HOT LIQUIDS SUDDENLY BOILING OVER WHEN THE CONTAINER IS DISTURBED OR A SPOON OR OTHER UTENSIL IS INSERTED INTO THE LIQUID.**
To reduce the risk of injury to persons:
 - Do not overheat the liquid.
 - Stir the liquid both before and halfway through heating it.
 - Do not use straight-sided containers with narrow necks.
 - After heating, allow the container to stand in the microwave oven for a short time before removing the container.
 - Use extreme care when inserting a spoon or other utensil into the container.
- Do not mount over a sink.
- Do not store anything directly on top of the microwave oven when the microwave oven is in operation.
- Clean Ventilating Hoods Frequently - Grease should not be allowed to accumulate on hood or filter.
- When flaming foods under the hood, turn the fan on.
- Suitable for use above both gas and electric cooking equipment.
- Intended to be used above ranges with maximum width of 36" (91.44 cm).
- Use care when cleaning the vent-hood filter. Corrosive cleaning agents, such as lye-based oven cleaners, may damage the filter.

SAVE THESE INSTRUCTIONS

PRECAUTIONS TO AVOID POSSIBLE EXPOSURE TO EXCESSIVE MICROWAVE ENERGY

- (a) Do not attempt to operate this oven with the door open since open-door operation can result in harmful exposure to microwave energy. It is important not to defeat or tamper with the safety interlocks.
- (b) Do not place any object between the oven front face and the door or allow soil or cleaner residue to accumulate on sealing surfaces.
- (c) Do not operate the oven if it is damaged. It is particularly important that the oven door close properly and that there is no damage to the:
 - (1) Door (bent),
 - (2) Hinges and latches (broken or loosened),
 - (3) Door seals and sealing surfaces.
- (d) The oven should not be adjusted or repaired by anyone except properly qualified service personnel.

Electrical Requirements

⚠ WARNING



Electrical Shock Hazard

Plug into a grounded 3 prong outlet.

Do not remove ground prong.

Do not use an adapter.

Do not use an extension cord.

Failure to follow these instructions can result in death, fire, or electrical shock.

Observe all governing codes and ordinances.

Required:

- A 120 V, 60 Hz, AC only, 15 or 20 A electrical supply with a fuse or circuit breaker.

Recommended:

- A time-delay fuse or time-delay circuit breaker.
- A separate circuit serving only this microwave oven.

GROUNDING INSTRUCTIONS

■ For all cord connected appliances:

The microwave oven must be grounded. In the event of an electrical short circuit, grounding reduces the risk of electric shock by providing an escape wire for the electric current. The microwave oven is equipped with a cord having a grounding wire with a grounding plug. The plug must be plugged into an outlet that is properly installed and grounded.

WARNING: Improper use of the grounding plug can result in a risk of electric shock. Consult a qualified electrician or serviceman if the grounding instructions are not completely understood, or if doubt exists as to whether the microwave oven is properly grounded.

Do not use an extension cord. If the power supply cord is too short, have a qualified electrician or serviceman install an outlet near the microwave oven.

SAVE THESE INSTRUCTIONS

This device complies with Part 18 of the FCC Rules.
This device complies with Industry Canada ICES-001.

OPERATING YOUR MICROWAVE OVEN

Settings

Clock

The clock is a 12-hour (12:00-11:59) clock. Touch SETUP/CLOCK, enter time, then touch SETUP/CLOCK or the Start control.

Timer

With the microwave oven in Standby mode, touch the Timer control, enter time, then touch the Timer control or the Start control. Cook functions may be entered while the Timer is counting down. To cancel timer, touch Timer control while the Timer countdown is active in the display.

Control Lock

Activate to avoid unintended start. Touch and hold the Cancel keypad for about 3 seconds until 2 tones sound and the CONTROL LOCKED appears in the display. When locked, touching any button on the keyboard (except for the hood control buttons and Cancel) will not work. Repeat to unlock control.

Vent Fan

Press the Vent Fan keypad once for High setting. You may press this keypad repeatedly and choose a different speed. There are four available speeds HIGH-->MEDIUM-->MEDIUM LOW-->LOW-->OFF. Choose the speed you want.

To keep the microwave oven from overheating, the auto hood fan will automatically turn on at high speed if the temperature from the range or cooktop below the microwave oven gets too hot. When this occurs, the hood fan cannot be turned off.

Vent Light

Pressing Vent Light keypad adjusts the vent light setting among HIGH -> LOW -> OFF.

SETUP/CLOCK

Press SETUP/CLOCK repeatedly, there are various options/setting may be adjusted:

1-Clock; 2-Sound; 3-Scrolling Speed; 4-Language; 5-Filter Reset; 6-Fan Timer; 7-Demo Mode; 8-Factory Reset.

Sound (Tones)

Keypad tones and volume can be adjusted. Press SETUP/CLOCK to reach the Sound submenu.

1. Button Tones On and Off: Press 1-On 2-Off

2. Volume: Press 1-Low, 2-Med, 3-High

Pressing the Start keypad, pressing the SETUP/CLOCK keypad will save.

Scroll Speed

Scrolling speed options will be between Low, Medium and High speeds. Press SETUP/CLOCK to reach the scrolling speed submenu. Once you select speed, press start or SETUP/CLOCK keypad will save.

Language

There are two languages supported: English and French. Press SETUP/CLOCK to reach the Language submenu. Once options for language is selected you'll have two options. Press start or SETUP/CLOCK keypad will save.

Filter Reset

Reset the filter status after replacing and/or cleaning the filters. Touch SETUP/CLOCK to reach the Filter Reset submenu, and activate reset.

Fan Timer

Set vent fan to run for exactly 30 minutes or to run for only 30 minutes more (off after 30 minutes). The vent fan may be turned off at any time using the Vent Fan keypad. Touch SETUP/CLOCK to reach the Fan Timer submenu and select the setting.

Demo Mode

Activate to practice using the control without actually turning on the magnetron. Touch SETUP/CLOCK to reach the Demo mode submenu, then follow the prompts to activate. The Clock or : will light up in the display. Repeat to deactivate.

If the microwave oven has not been used for 5 min (no key press for 5min), the display will show "DEMO ON".

Features

CLEANRELEASE® Cavity Coating (on some models)

The durable, nonstick coating resists soil buildup by making cleaning easier. See the "Microwave Oven Care" section.

Standby Mode

When no functions are working (12-hour clock is displayed or if the clock has not been set), oven will switch to Standby Power mode and dim the LCD brightness after 2 minutes. Press any button or open/close the door, and display will return to the normal brightness.

Turntable

Turntable may be turned off for manual cooking only. This is helpful when cooking with plates that are bigger than the turntable or when cooking with plates that are side by side. Turntable cannot be turned off during preset or sensor (on some models) functions.

Cookware and Dinnerware

Microwave-Safe

- Browning dish (Follow manufacturer recommendations)
- Ceramic glass, glass
- China, earthenware (Follow manufacturer recommendations)
- Melamine (Follow manufacturer recommendations)
- Paper towels, paper plates, napkins (Use non-recycled paper)
- Plastic wraps, bags, covers, dinnerware, containers (Follow manufacturer recommendations)
- Pottery and clay (Follow manufacturer recommendations)
- Silicone bakeware (Follow manufacturer recommendations)
- Wax paper

To Test Cookware/Dinnerware: Place dish in microwave oven with 1 cup (250 mL) of water beside it. Program 1 minute of cook time at 100%. If dish becomes hot and the water stays cool, do not use the dish in the microwave oven.

Microwave Oven Use

For list of preset programs, see the Quick Reference Guide provided with your model.

Manual Cooking

Touch number keypads to enter time, touch POWER (if not 100%), touch number keypads to enter power level (10-90), then touch the Start control.

Sensor Cooking

A sensor in the microwave oven detects moisture released from food as it heats and adjusts the cooking time accordingly.

Make sure microwave oven has been plugged in for at least 1 minute. Use microwave-safe dish with loose-fitting lid or cover microwave-safe dish with plastic wrap, and vent. For optimal performance, wait at least 30 minutes after convection cooking or grilling (on some models) before sensor cooking.

Do Not Use

- Metal cookware and bakeware
- Straw or wicker
- Gold, silver, or pewter
- Non-approved meat thermometers, skewers
- Twist ties
- Foil liners, such as sandwich wrappers
- Staples
- Objects with gold or silver trim or with metallic glaze

Preset Cooking, Reheating, Defrosting

Touch COOK or REHEAT or DEFROST repeatedly to scroll through program options. Rest on desired program options. Follow prompts to select submenu items and/or amounts, then press the Start control.

Popcorn

Two choices, press Popcorn repeatedly.

Large bag: Senses 3.0-3.5 oz (85-99 g)

Small bag: 1.75 oz (50 g) only

Place bag on turntable then touch Start control. Listen for popping to slow to 1 pop every 1 or 2 seconds, then stop the cycle. Cooking results may vary by brand and fat content. For other bag sizes use manual cooking.

Preset Soften/Melt

Touch SOFTEN/MELT, repeatedly to scroll through program options. Rest on desired program options. Follow prompts to select submenu items and/or amounts, then press the Start control.

MENU PROGRAMS: Touch the menu control repeatedly to scroll through program options. Rest on the desired program options. Follow display prompts to select submenu items and/or amounts, and then start the program. Any invalid entry will cause an Invalid Tone and be corrected to a value that is within range and closest to the entered value.

COOK

1. Bacon: 1, 2, 3, 4, 5 or 6 slices, average thickness:
Follow directions on package.
2. Canned Vegetables: 1, 2, 3, 4 cups (250 mL - 1 L)
Place in microwave-safe container. Cover with plastic wrap, and vent. Stir and let stand 2-3 minutes after cooking.
3. Fresh Vegetables: Senses 1 - 4 cups (250 mL - 1 L)
Place in microwave-safe container. Add 2-4 tbs (30-60 mL) water. Cover with plastic wrap, and vent. Stir and let stand 2-3 minutes after cooking.
4. Frozen Vegetables: Senses 1 - 4 cups (250 mL - 1 L)
Remove from package. Place in microwave-safe container. Add 2-4 tbs (30-60 mL) water. Cover with plastic wrap, and vent. Stir and let stand 2-3 minutes after cooking.
5. Frozen Entrée : 10, 20, 40, 60 ounces (283, 567, 1134, 1701 g).
Remove from package. Loosen cover on 3 sides. If entrée is not in microwave-safe container, place on plate, cover with plastic wrap, and vent.
6. Small potato: Enter 1-4 pieces, 4-7 oz (113-198 g) each.
Pierce each potato several times with a fork. Place on paper towel, around turntable edges, at least 1" (2.5 cm) apart. Let stand 5 minutes after cooking.
7. Large potato: Sense 1-4 potatoes, 8-10 oz (227-283 g) each.
Pierce each potato several times with a fork. Place on paper towel, around turntable edges, at least 1" (2.5 cm) apart. Let stand 5 minutes after cooking.
8. Rice: Senses 0.5-2.0 cups (125-500 mL) dry, white long grain:
Follow measurements on package for ingredient amounts. Use microwave-safe dish with loose-fitting lid. Let stand 5 minutes after cooking, or until liquid is absorbed. Stir.

REHEAT

1. Baked Goods: 1, 2, 3, 4, 5 or 6 servings:
Place on paper towel. Two small rolls may be counted as 1 serving.
2. Beverage: 1, 2 cups, 8 oz (250 mL) each.
Do not cover. The diameter of the cup's opening will affect how the liquid heats. Beverages in cups with smaller openings may heat faster.
3. Casserole: 1, 2, 3, 4 cups (250 mL - 1 L)
Place in microwave-safe container and cover with plastic wrap. Stir and let stand 2-3 minutes after reheating.
4. Dinner Plate: Senses 1 serving (1 plate), 8-16 oz (227-454 g):
Place food on microwave-safe plate, cover with plastic wrap, and vent.
5. Pizza: 1, 2, 3 slices, 4 oz (113 g) each
Place on paper towel lined paper plate.
6. Sauce: Senses 1-4 cups (250 mL - 1 L)
Place in microwave-safe container and cover with plastic wrap. Stir and let stand 2-3 minutes after reheating.
7. Soup: Sense 1,2,3,4 cups (250 mL -1L)
Place in microwave-safe container and cover with plastic wrap. Stir and let stand 2-3 minutes after reheating.

DEFROST

1. Poultry: 0.2-6.6 lbs (90 g - 3 kg) Remove wrap and place in microwave-safe dish. Do not cover.
2. Meat: 0.2-6.6 lbs (90 g - 3 kg)
Remove wrap and place in microwave-safe dish. Do not cover.
3. Fish: 0.2-4.4 lbs (90 g - 2 kg)
Remove wrap and place in microwave-safe dish. Do not cover.
4. Quick: 1.0 lb - 454 g
Remove wrap and place in microwave-safe dish. Do not cover. Turn over food at signal.

SOFTEN/MELT:

1. Soft Butter - 0.5, 1, 1.5 or 2 sticks:
Unwrap and place in microwave-safe dish.
2. Soften Ice Cream - 16, 32 or 64 oz (473, 946 or 1893 mL):
Place ice cream container on turntable.
3. Soft cream cheese 8 oz. (227 g) only:
Unwrap and place in microwave-safe dish.
4. Soft frozen juice - 12 oz (340 g) only:
Remove lid from container.
5. Melt butter - 0.5, 1, 1.5 or 2 sticks:
Unwrap and place in microwave-safe dish. Cover with plastic wrap.
6. Melt chocolate - 4, 6, 8 or 12 oz (113, 170, 227 or 340 g):
Place in microwave-safe dish.
7. Melt cheese - 8 or 16 oz (227 or 454 g):
Place in microwave-safe dish. Stir at signal.
8. Melt Marshmallows - 5 or 10 oz (142 or 283 g):
Place in microwave-safe dish.

MICROWAVE OVEN CARE

Installing/Replacing Filters and Light Bulbs

NOTE: A Filter Status indicator (on some models) appears in the display when it is time to replace the charcoal filter, and clean or replace the grease filters. See the “Settings” section to reset filter status.

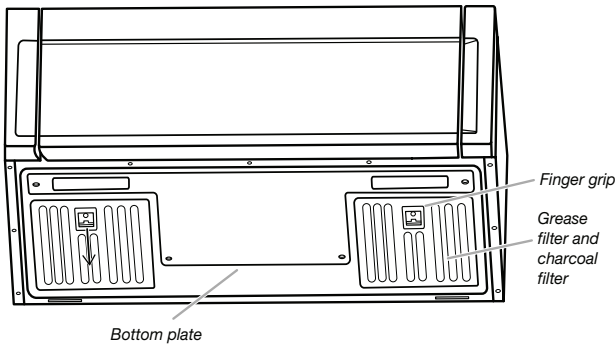
- **Grease filters:** Grease filters are underside of microwave oven. The grease filters should be removed and cleaned at least once a month.

NOTE: For recirculation: Do not operate the microwave oven without the filters in place.

For wall and roof ventilation: To ensure good performance of airflow, remove the charcoal filter from the bottom plate before operating the microwave oven.

Refer the following steps for replacing grease filter:

1. To remove the grease filter, push the finger grip back and then pull down from the bottom plate.



2. Clean the grease filter monthly, or replace with new grease filter if necessary.
3. Put the grease filter back to the bottom plate.

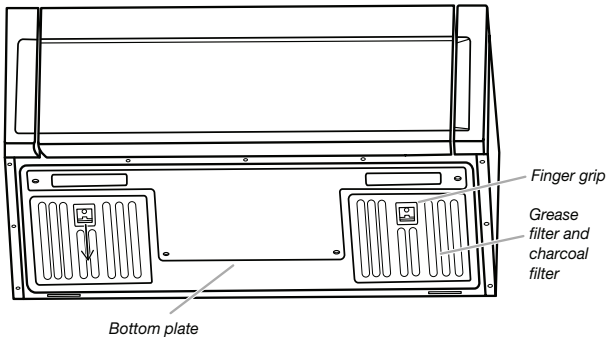
- **Charcoal filters:** Charcoal filters are underside of microwave oven. The charcoal filter cannot be cleaned and should be replaced about every 6 months.

NOTE: For recirculation: Do not operate the microwave oven without the filters in place.

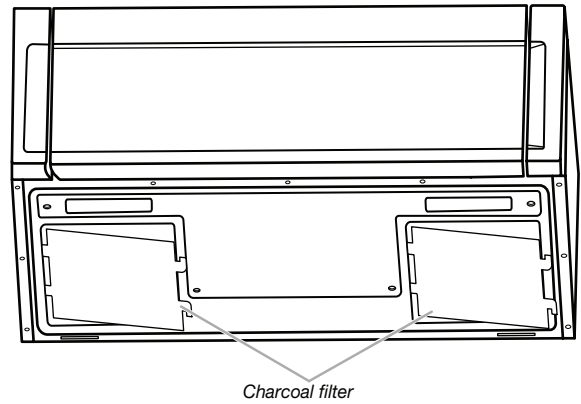
For wall and roof ventilation: To ensure good performance of airflow, remove the charcoal filter from the bottom plate before operating the microwave oven.

Refer the following steps for replacing charcoal filter:

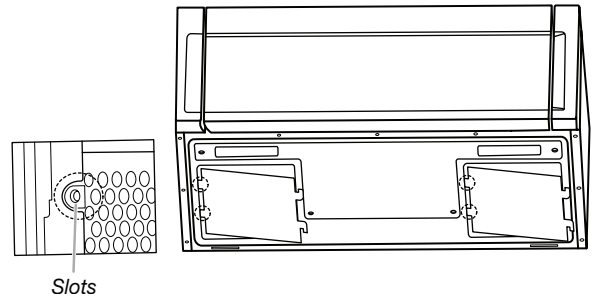
1. To remove the grease filter first, push finger grip back and then pull down from the bottom plate, and set aside.



2. Take out the charcoal filter from the bottom plate.



3. Replace a new charcoal filter and reattach it back to the bottom plate, and make sure both left and right sides insert to the bottom plate slots.

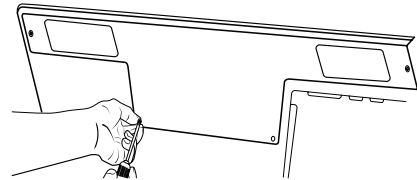


4. Put the grease filter back to the bottom plate.

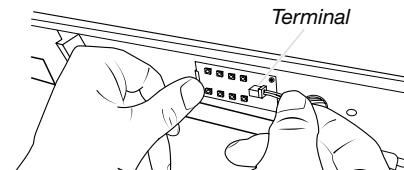
- **Cooktop light:** The cooktop light is located on the underside of the microwave oven and is replaceable.

To replace the cooktop light refer the following steps:

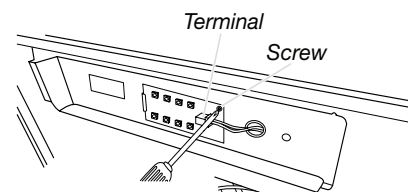
1. Using a Phillips screwdriver, remove the 4 screws from the “T” shaped bottom lighting cover.



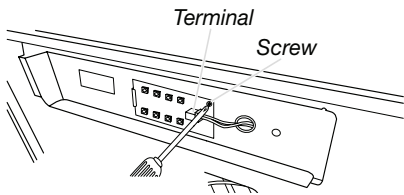
2. Unplug the terminal from the LED board.



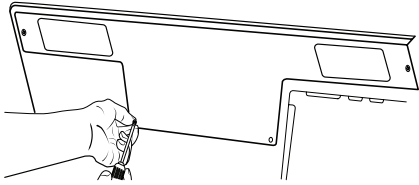
3. Using a Phillips screwdriver, remove the screw from LED board, and keep aside.



- Replace a new LED, fasten the screw back.



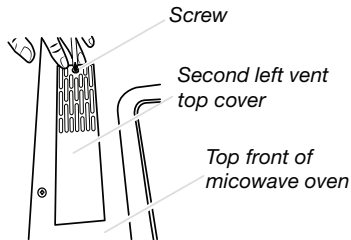
- Using a Phillips screwdriver, reattach the 4 screws back to "T" shape bottom lighting cover.



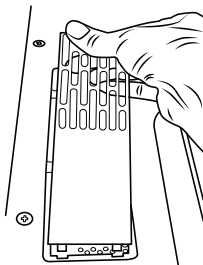
■ **Cavity light:** The cavity light is located at the top front of the microwave oven, under the cover, and is replaceable.

To replace the cavity light refer the following steps:

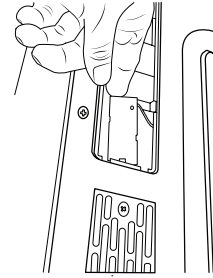
- Using a Phillips screwdriver, remove the second left vent top cover screw from the top front of the microwave oven.



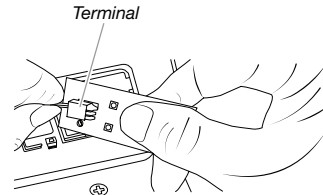
- Remove the second left top cover.



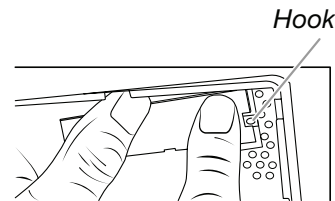
- Take out LED board.



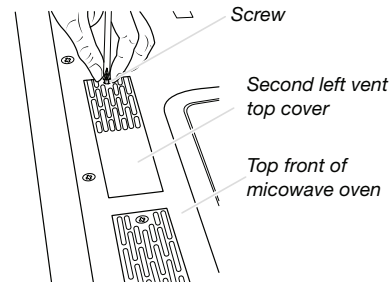
- Unplug the LED terminal.



- Replace a new LED, and snap it into the hook.



- Reattach the second top vent cover with the screw removed in Step 1.



ACCESSORIES

Following is a list of available parts and supplies which may be purchased separately. Please refer to the “Warranty” section for contact information.

Cleaning Supplies

- Heavy-duty degreaser
- Affresh® Kitchen Appliance Cleaner
- Affresh® Stainless Steel Cleaner
- Affresh® Stainless Steel Wipes

TROUBLESHOOTING

First try the solutions suggested here. If you need further assistance or more recommendations that may help you avoid a service call, refer to the warranty page in this manual or visit www.kitchenaid.com/customer-service. In Canada visit www.kitchenaid.ca

Contact us by mail with any questions or concerns at the address below:

In the U.S.A.:

KitchenAid Brand Home Appliances
Customer eXperience Center
553 Benson Road
Benton Harbor MI 49022-2692

In Canada:

KitchenAid Brand Home Appliances
Customer eXperience Centre
200 - 6750 Century Ave.
Mississauga ON L5N 0B7

Please include a daytime phone number in your correspondence

If you experience	Recommended Solutions
Microwave oven will not operate	<p>Check the following:</p> <ul style="list-style-type: none"> ■ Household fuse or circuit breaker - If a household fuse has blown or a circuit breaker has tripped, replace the fuse or reset the circuit breaker. If the problem continues, call an electrician. ■ Magnetron - Try to heat 1 cup (250 mL) of cold water for 2 minutes at 100% cooking power. If water does not heat, try the steps in the bullets below. If microwave oven still does not operate, call for service. ■ Door - Firmly close door. On some models, if a packaging spacer is attached to inside of the door, remove it, then firmly close door. If a message about the door appears in the display, the door has been closed for 5 minutes or more without the microwave oven being started. This occurs to avoid unintended starting of the microwave oven. Open and close the door, then start the cycle. ■ Control - Make sure control is set properly. Make sure Control Lock is OFF. Make sure Demo mode (on some models) is OFF.
Arcing in the microwave oven	<p>Check the following:</p> <ul style="list-style-type: none"> ■ Soil buildup - Soil buildup on cavity walls, microwave inlet cover, cooking rack supports, and area where the door touches the frame can cause arcing. See "General Cleaning" in the "Microwave Oven Care" section.
Turntable alternates rotation directions	<ul style="list-style-type: none"> ■ This is normal and depends on motor rotation at the beginning of the cycle.
Display shows messages	<ul style="list-style-type: none"> ■ "Enter clock" with flashing digits means there has been a power failure. Reset the clock. ■ A letter followed by a number is an error indicator. Call for assistance.
Fan running during cooktop usage	<ul style="list-style-type: none"> ■ This is normal. The microwave oven's cooling fan, which is separate from the vent fan, automatically comes on during microwave oven operation to cool the microwave oven. It may also automatically come on and cycle on and off to cool the microwave oven's controls while the cooktop below is being used.
Radio, TV, or cordless phone interference	<p>Check the following:</p> <ul style="list-style-type: none"> ■ Proximity - Move the receiver away from the microwave oven, or adjust the radio or TV antenna. ■ Soil - Make sure the microwave oven door and sealing surfaces are clean. ■ Frequency - Some 2.4 GHz-based cordless phones and home wireless networks may experience static or noise while microwave oven is ON. Use a corded phone, a different frequency cordless phone, or avoid using these items during microwave oven operation.

KITCHENAID® MAJOR APPLIANCE LIMITED WARRANTY

ATTACH YOUR RECEIPT HERE. PROOF OF PURCHASE IS REQUIRED TO OBTAIN WARRANTY SERVICE.

Please have the following information available when you call the Customer eXperience Center:

- Name, address and telephone number
- Model number and serial number
- A clear, detailed description of the problem
- Proof of purchase including dealer or retailer name and address

IF YOU NEED SERVICE:

1. Before contacting us to arrange service, please determine whether your product requires repair. Some questions can be addressed without service. Please take a few minutes to review the Troubleshooting or Problem Solver section of the Use and Care Guide, or visit <http://www.kitchenaid.com/customer-service>.
2. All warranty service is provided exclusively by our authorized KitchenAid Service Providers. In the U.S. and Canada, direct all requests for warranty service to:

KitchenAid Customer eXperience Center

In the U.S.A., call 1-800-422-1230. In Canada, call 1-800-807-6777.

If outside the 50 United States or Canada, contact your authorized KitchenAid dealer to determine whether another warranty applies.

ONE YEAR LIMITED WARRANTY

WHAT IS COVERED

For one year from the date of purchase, when this major appliance is installed, operated and maintained according to instructions attached to or furnished with the product, KitchenAid brand of Whirlpool Corporation or Whirlpool Canada LP (hereafter "KitchenAid") will pay for Factory Specified Replacement Parts and repair labor to correct defects in materials or workmanship that existed when this major appliance was purchased, or at its sole discretion replace the product. In the event of product replacement, your appliance will be warranted for the remaining term of the original unit's warranty period.

YOUR SOLE AND EXCLUSIVE REMEDY UNDER THIS LIMITED WARRANTY SHALL BE PRODUCT REPAIR AS PROVIDED HEREIN. Service must be provided by a KitchenAid designated service company. This limited warranty is valid only in the United States or Canada and applies only when the major appliance is used in the country in which it was purchased. This limited warranty is effective from the date of original consumer purchase. Proof of original purchase date is required to obtain service under this limited warranty.

WHAT IS NOT COVERED

1. Commercial, non-residential, multiple-family use, or use inconsistent with published user, operator or installation instructions.
2. In-home instruction on how to use your product.
3. Service to correct improper product maintenance or installation, Installation not in accordance with electrical or plumbing codes or correction of household electrical or plumbing (i.e. house wiring, fuses or water inlet hoses).
4. Consumable parts (i.e. light bulbs, batteries, air or water filters, preservation solutions, etc.).
5. Defects or damage caused by the use of non-genuine KitchenAid parts or accessories.
6. Conversion of products from natural gas or propane gas.
7. Damage from accident, misuse, abuse, fire, floods, acts of God or use with products not approved by KitchenAid.
8. Repairs to parts or systems to correct product damage or defects caused by unauthorized service, alteration or modification of the appliance.
9. Cosmetic damage including scratches, dents, chips, and other damage to the appliance finishes unless such damage results from defects in materials and workmanship and is reported to KitchenAid within 30 days.
10. Discoloration, rust or oxidation of surfaces resulting from caustic or corrosive environments including but not limited to high salt concentrations, high moisture or humidity or exposure to chemicals.
11. Food or medicine loss due to product failure.
12. Pick-up or delivery. This product is intended for in-home repair.
13. Travel or transportation expenses for service in remote locations where an authorized KitchenAid servicer is not available.
14. Removal or reinstallation of inaccessible appliances or built-in fixtures (i.e. trim, decorative panels, flooring, cabinetry, islands, countertops, drywall, etc.) that interfere with servicing, removal or replacement of the product.
15. Service or parts for appliances with original model/serial numbers removed, altered or not easily determined.

The cost of repair or replacement under these excluded circumstances shall be borne by the customer.

DISCLAIMER OF IMPLIED WARRANTIES

IMPLIED WARRANTIES, INCLUDING ANY IMPLIED WARRANTY OF MERCHANTABILITY OR IMPLIED WARRANTY OF FITNESS FOR A PARTICULAR PURPOSE, ARE LIMITED TO ONE YEAR OR THE SHORTEST PERIOD ALLOWED BY LAW. Some states and provinces do not allow limitations on the duration of implied warranties of merchantability or fitness, so this limitation may not apply to you. This warranty gives you specific legal rights, and you also may have other rights that vary from state to state or province to province.

DISCLAIMER OF REPRESENTATIONS OUTSIDE OF WARRANTY

KitchenAid makes no representations about the quality, durability, or need for service or repair of this major appliance other than the representations contained in this warranty. If you want a longer or more comprehensive warranty than the limited warranty that comes with this major appliance, you should ask KitchenAid or your retailer about buying an extended warranty.

LIMITATION OF REMEDIES; EXCLUSION OF INCIDENTAL AND CONSEQUENTIAL DAMAGES

YOUR SOLE AND EXCLUSIVE REMEDY UNDER THIS LIMITED WARRANTY SHALL BE PRODUCT REPAIR AS PROVIDED HEREIN. KITCHENAID SHALL NOT BE LIABLE FOR INCIDENTAL OR CONSEQUENTIAL DAMAGES. Some states and provinces do not allow the exclusion or limitation of incidental or consequential damages, so these limitations and exclusions may not apply to you. This warranty gives you specific legal rights, and you also may have other rights that vary from state to state or province to province.

KitchenAid®

Guide d'utilisation

Ensemble hotte/four à micro-ondes

Merci d'avoir choisi les appareils électroménagers KitchenAid®.

Notre compagnie a recours aux plus hautes normes de qualités et nous attachons une grande importance à ce que l'acquisition d'un produit KitchenAid® constitue pour vous une expérience positive.

Enregistrez votre four à micro-ondes au www.kitchenaid.com/owners. Au Canada, enregistrez votre four micro-ondes au www.kitchenaid.ca/owners.

Pour référence ultérieure, consignez par écrit les numéros de modèle et de série situés sur la partie avant face à l'ouverture du four à micro-ondes, derrière la porte.

Numéro de modèle _____

Numéro de série _____

SÉCURITÉ DE L'ENSEMBLE HOTTE/FOUR À MICRO-ONDES

Votre sécurité et celle des autres est très importante.

Nous donnons de nombreux messages de sécurité importants dans ce manuel et sur votre appareil ménager. Assurez-vous de toujours lire tous les messages de sécurité et de vous y conformer.



Voici le symbole d'alerte de sécurité.

Ce symbole d'alerte de sécurité vous signale les dangers potentiels de décès et de blessures graves à vous et à d'autres.

Tous les messages de sécurité suivront le symbole d'alerte de sécurité et le mot "DANGER" ou "AVERTISSEMENT". Ces mots signifient :

! DANGER

Risque possible de décès ou de blessure grave si vous ne suivez pas immédiatement les instructions.

! AVERTISSEMENT

Risque possible de décès ou de blessure grave si vous ne suivez pas les instructions.

Tous les messages de sécurité vous diront quel est le danger potentiel et vous disent comment réduire le risque de blessure et ce qui peut se produire en cas de non-respect des instructions.

IMPORTANTES INSTRUCTIONS DE SÉCURITÉ

Lors de l'utilisation de tout appareil ménager électrique on doit observer certaines précautions de sécurité fondamentales, dont les suivantes :

AVERTISSEMENT : Pour réduire le risque de brûlures, de choc électrique, d'incendie, de blessures et l'exposition excessive à l'énergie des micro-ondes :

- Lire la totalité des instructions avant d'utiliser le four à micro-ondes.
- Lire et observer les instructions spécifiques de "PRÉCAUTIONS CONTRE LE RISQUE D'EXPOSITION EXCESSIVE À L'ÉNERGIE DES MICRO-ONDES" dans cette section.
- Le four à micro-ondes doit être relié à la terre. Brancher l'appareil uniquement sur une prise de courant convenablement reliée à la terre. Voir les "INSTRUCTIONS DE LIAISON À LA TERRE" présentées dans cette section et dans les instructions d'installation fournies.

- Installer ou placer le four à micro-ondes uniquement selon les instructions d'installation fournies.
- Certains produits, comme les œufs entiers dans leur coquille et les récipients fermés - par exemple les bocaux en verre fermés - peuvent exploser et on ne doit pas les faire chauffer dans le four à micro-ondes.
- Utiliser le four à micro-ondes uniquement pour les applications auxquelles il est destiné, telles qu'elles sont décrites dans ce manuel. Ne pas utiliser de vapeurs ou de produits chimiques corrosifs dans le four à micro-ondes. Ce type de four est spécifiquement conçu pour chauffer, cuire ou sécher des aliments. Il n'est pas conçu pour des applications industrielles ou de laboratoire.

CONSERVEZ CES INSTRUCTIONS



W11404392A

IMPORTANTES INSTRUCTIONS DE SÉCURITÉ

- Comme pour tout appareil ménager, les enfants ne devraient utiliser ce four que sous une supervision adéquate.
- Ne pas faire fonctionner le four à micro-ondes si le cordon d'alimentation ou la fiche de branchement est endommagé, s'il ne fonctionne pas correctement, s'il a subi des dommages ou s'il est tombé.
- Tous les travaux de service doivent être exécutés exclusivement par un personnel d'entretien qualifié. Contacter un centre de service autorisé pour les opérations d'inspection, de réparation ou de réglage.
- Ne pas couvrir ni obstruer toute ouverture sur le four à micro-ondes.
- Ne pas remiser ce four à micro-ondes à l'extérieur. Ne pas utiliser le four à micro-ondes à proximité d'eau - par exemple, près d'un évier de cuisine, dans un sous-sol humide ou près d'une piscine ou à un emplacement similaire.
- Ne pas immerger le cordon ou la fiche de branchement dans l'eau.
- Garder le cordon d'alimentation loin des surfaces chauffées.
- Ne pas laisser le cordon d'alimentation pendre sur le bord d'une table ou d'un comptoir.
- Voir les instructions de nettoyage de la surface de la porte à la section "Entretien du four à micro-ondes".
- Pour réduire le risque d'incendie dans la cavité du four :
 - Ne pas faire cuire les aliments excessivement. Surveiller attentivement le four à micro-ondes après y avoir placé des produits en papier, en plastique ou autres matériaux combustibles pour faciliter la cuisson des aliments.
 - Enlever les attaches métalliques des sachets en papier ou en plastique avant de placer de tels sachets dans le four.
 - En cas d'inflammation de matériaux placés à l'intérieur du four, maintenir la porte du four fermée, arrêter le four, débrancher le four, ou interrompre l'alimentation électrique au niveau du tableau de distribution (fusible ou disjoncteur).
 - Ne pas utiliser la cavité du four comme espace de rangement. Ne pas laisser dans le four des produits en papier, ustensiles de cuisine ou produits alimentaires, lorsqu'il n'est pas utilisé.
- Les liquides tels que l'eau, le café ou le thé peuvent trop chauffer - au-delà du point d'ébullition - sans sembler bouillir. Il n'y a pas toujours des bulles ou une ébullition lorsqu'on retire le récipient du four à micro-ondes. À CAUSE DE CECI, DES LIQUIDES TRÈS CHAUDS POURRAIENT DÉBORDER LORSQU'ON BOUGE LE RÉCIPIENT OU QUE L'ON UTILISE UNE CUILLÈRE OU UN AUTRE USTENSILE POUR LE REMUER.
Pour réduire le risque de blessures corporelles :
 - Ne pas trop faire chauffer le liquide.
 - Remuer le liquide avant et pendant le chauffage.
 - Ne pas utiliser de récipients à parois droites avec des ouvertures étroites.
 - Une fois chaud, laisser le récipient dans le four à micro-ondes un moment avant de le retirer.
 - Faire très attention lorsqu'on utilise une cuillère ou un autre ustensile dans le récipient.
- Ne pas faire le montage au-dessus d'un évier.
- Veiller à ne rien remiser directement sur le four lorsqu'il est en service.
- Nettoyer souvent les hottes de ventilation. Il ne faut pas laisser la graisse s'accumuler sur la hotte ou le filtre.
- Lorsque vous flambez des aliments sous la hotte, mettre le ventilateur en marche.
- Convient à l'utilisation au-dessus des appareils de cuisson au gaz et électriques.
- Destiné à l'utilisation au-dessus des cuisinières avec une largeur maximale de 36" (91,44 cm).
- Nettoyer avec soin le filtre du ventilateur de la hotte. Des agents de nettoyage corrosifs, tels que les produits de nettoyage de four à base de soude, peuvent endommager le filtre.

CONSERVEZ CES INSTRUCTIONS

PRÉCAUTIONS CONTRE LE RISQUE D'EXPOSITION EXCESSIVE À L'ÉNERGIE DES MICRO-ONDES

- (a) Ne pas tenter de faire fonctionner ce four lorsque la porte est ouverte, car ceci pourrait susciter une exposition dangereuse à l'énergie des micro-ondes. Il est important de ne pas entraver le fonctionnement correct du dispositif de verrouillage de sécurité.
- (b) Ne pas placer d'objet entre la surface avant du four et la porte, et ne jamais laisser des souillures ou résidus de produits de nettoyage s'accumuler sur les surfaces d'étanchéité.
- (c) Ne pas faire fonctionner le four lorsqu'il est endommagé. Il est particulièrement important que la porte du four ferme convenablement et que les composants suivants ne soient pas endommagés :
 - (1) Porte (déformation),
 - (2) Charnières et dispositif de verrouillage (brisés ou desserrés),
 - (3) Joints de porte et surfaces d'étanchéité.
- (d) Seul un personnel d'entretien qualifié est habilité à exécuter des réparations ou réglages sur cet appareil.

! AVERTISSEMENT



Risque de choc électrique

Brancher sur une prise à 3 alvéoles reliée à la terre.

Ne pas enlever la broche de liaison à la terre.

Ne pas utiliser un adaptateur.

Ne pas utiliser un câble de rallonge.

Le non-respect de ces instructions peut causer un décès, un incendie ou un choc électrique.

Observer les dispositions de tous les codes et règlements en vigueur.

Exigences :

- Une alimentation électrique de 120 V, 60 Hz, CA seulement, 15 ou 20 A, protégée par fusible ou disjoncteur.

Recommandation :

- Un fusible temporisé ou un disjoncteur temporisé.
- Un circuit distinct exclusif au four à micro-ondes.

INSTRUCTIONS DE LIAISON À LA TERRE

■ Pour tout appareil ménager connecté par un cordon de courant électrique :

Il faut que le four à micro-ondes soit relié à la terre. En cas de court-circuit électrique, la liaison à la terre réduit le risque de choc électrique car le courant électrique dispose d'un itinéraire direct d'acheminement à la terre. Le four à micro-ondes est doté d'un cordon de courant électrique qui comporte un fil de liaison à la terre, avec broche de liaison à la terre. On doit brancher la fiche sur une prise de courant convenablement installée et reliée à la terre.

AVERTISSEMENT : L'utilisation incorrecte du dispositif de liaison à la terre peut susciter un risque de choc électrique. L'utilisateur qui ne comprend pas bien les instructions de liaison à la terre, ou qui n'est pas certain que le four à micro-ondes soit convenablement relié à la terre, devrait consulter un électricien ou un technicien qualifié.

Ne pas utiliser un câble de rallonge. Si le cordon de courant électrique est trop court, demander à un électricien ou un technicien qualifié d'installer une prise de courant à proximité du four à micro-ondes.

CONSERVEZ CES INSTRUCTIONS

Ce dispositif est conforme à la section 18 des règlements FCC.
Ce dispositif est conforme à la norme ICES-001 d'Industrie Canada.

UTILISATION DU FOUR À MICRO-ONDES

Réglages

Horloge

L'horloge ne peut être réglée qu'au format de 12 heures (12:00-11:59). Appuyer sur SETUP/CLOCK (réglage/horloge), entrer l'heure puis appuyer sur SETUP/CLOCK ou la commande de mise en marche.

Minuterie

Alors que le four à micro-ondes est en mode de veille, appuyer sur la commande de la minuterie, entrer la durée puis appuyer sur la commande de la minuterie ou sur la commande Start (mise en marche). Les fonctions de cuisson peuvent être utilisées alors que la minuterie procède au compte à rebours. Pour annuler la minuterie, appuyer sur la commande de la minuterie lorsque le compte à rebours de la minuterie est activé sur l'affichage.

Verrouillage des commandes

À activer pour éviter une mise en marche accidentelle. Appuyer sur la touche Cancel (annulation) pendant environ 3 secondes jusqu'à l'émission de 2 signaux sonores et l'affichage de CONTROL LOCKED (verrouillage des commandes). Lorsque les commandes sont verrouillées, appuyer sur un bouton quelconque (autre que les boutons de commandes de la hotte et le bouton Cancel [annulation]) ne fonctionne pas. Répéter pour déverrouiller les commandes.

Vent Fan (ventilateur d'évacuation)

Appuyer sur la touche Vent Fan (ventilateur d'évacuation) une fois pour le réglage haute vitesse. On peut appuyer plusieurs fois sur cette touche et choisir une vitesse différente. Il y a quatre vitesses disponibles – HIGH--->MEDIUM--->MEDIUM LOW--LOW--->OFF (élevée ---> moyenne ---> moyenne-basse ---> basse ---> arrêt). Choisir la vitesse souhaitée.

Pour empêcher le four à micro-ondes de surchauffer, le ventilateur automatique de la hotte se met automatiquement en marche à vitesse élevée si la température de la cuisinière ou de la table de cuisson situées sous le four à micro-ondes devient trop élevée. Lorsque cela se produit, il est impossible d'éteindre le ventilateur de la hotte.

Éclairage de la hotte

Appuyer sur la touche Vent Light (éclairage de la hotte) permet de régler le réglage d'éclairage de la hotte – HIGH -> LOW -> OFF (élevé -> bas -> arrêt)

Réglage/horloge

Appuyer sur SETUP/CLOCK (réglage/horloge) à plusieurs reprises pour différentes options/accéder aux réglages :

1-Horloge; 2-Sons; 3-Vitesse de défilement; 4-Langue; 5-Réinitialisation du filtre; 6-Minuterie de ventilateur; 7-Mode démo; 8-Restoration paramétrage usine.

Son (signaux sonores)

Les signaux sonores et le volume des touches peuvent être ajustés. Appuyer sur SETUP/CLOCK (réglage/horloge) pour accéder au menu secondaire de Son.

1. Marche et arrêt des signaux sonores des boutons : Appuyer sur 1 – marche, 2 – arrêt
2. Volume : Appuyer sur 1 – bas, 2 – moyen, 3 – élevé

Appuyer sur la touche Start (mise en marche), puis appuyer sur la touche SETUP/CLOCK (réglage/horloge) pour enregistrer.

Vitesse de défilement

Les options de vitesse de défilement sont basse, moyenne et élevée. Appuyer sur SETUP/CLOCK (réglage/horloge) pour accéder au menu secondaire de Vitesse. Une fois la vitesse sélectionnée, appuyer sur start (mise en marche) ou sur la touche SETUP/CLOCK (réglage/horloge) pour enregistrer.

Langue

Il y a deux langues disponibles : Anglais ou Français. Appuyer sur SETUP/CLOCK (réglage/horloge) pour accéder au menu secondaire de Langue. Une fois la langue sélectionnée, enregistrer la sélection par l'une des deux options suivantes. Appuyer sur la touche Start (mise en marche) ou la touche SETUP/CLOCK (réglage/horloge).

Réinitialisation du filtre

Réinitialiser le statut du filtre après avoir remplacé et/ou nettoyé les filtres. Appuyer sur SETUP/CLOCK (réglage/horloge) pour accéder au menu secondaire de Réinitialisation du filtre, et activer la réinitialisation.

Caractéristiques

Revêtement CLEANRELEASE® (sur certains modèles)

Le revêtement antiadhésif durable résiste l'accumulation de saleté ce qui rend le nettoyage plus facile. Voir la section "Entretien du four à micro-ondes".

Minuterie de ventilateur

Règle le ventilateur d'évacuation pour se mettre en marche pendant 30 minutes exactement, ou pour se mettre en marche pendant seulement 30 minutes supplémentaires (s'éteint après 30 minutes). Le ventilateur d'évacuation peut être éteint à tout moment en appuyant sur la touche du ventilateur d'évacuation. Appuyer sur SETUP/CLOCK (réglage/horloge) pour accéder au menu secondaire de la minuterie du ventilateur et sélectionner le réglage.

Mode de démonstration

À activer pour s'entraîner à utiliser la commande sans activer le magnétron. Appuyer sur SETUP/CLOCK (réglage/horloge) pour accéder au menu secondaire du mode de démonstration puis suivre les instructions à l'écran pour activer. L'horloge ou : s'allume sur l'affichage. Répéter pour désactiver.

Si le four à micro-ondes n'a pas été utilisé pendant 5 minutes (aucun appui sur une touche pendant 5 minutes), l'affichage indique "DEMO ON" (mode de démonstration activé).

Mode veille

Lorsqu'aucune fonction n'est activée (l'horloge de 12 heures est affichée ou si l'horloge n'a pas été réglée), le four se met en mode de veille d'alimentation et tamisera la luminosité de l'écran ACL après 2 minutes d'inactivité. Appuyer sur une touche ou ouvrir/fermer la porte, et par la suite l'affichage retrouve sa luminosité normale.

Ustensiles de cuisson et vaisselle

Utilisable au four à micro-ondes

- Plat brunisseur (suivre les recommandations du fabricant)
- Vitrocéramique, verre
- Porcelaine, terre cuite (suivre les recommandations du fabricant)
- Mélamine (suivre les recommandations du fabricant)
- Essuie-tout, assiettes et serviettes en papier (utiliser du panier non recyclé)
- Emballages, sacs, couvercles, vaisselle, récipients en plastique (suivre les recommandations du fabricant)
- Poterie et argile (suivre les recommandations du fabricant)
- Ustensiles de cuisson en silicone (suivre les recommandations du fabricant)
- Papier paraffiné

Pour tester les ustensiles de cuisson : Placer le plat dans le four à micro-ondes avec une tasse (250 mL) d'eau à côté de l'article. Programmer 1 minute de cuisson à puissance maximale. Si le plat devient chaud et que l'eau reste froide, ne pas utiliser le plat pour la cuisson au micro-ondes.

Utilisation du four à micro-ondes

Pour une liste des programmes pré-réglés, voir le Guide de référence rapide fourni avec le modèle.

Cuisson manuelle

Appuyer sur les touches numériques pour entrer la durée, appuyer sur POWER (puissance) (si l'on souhaite une puissance autre que la puissance maximale), appuyer sur les touches numériques pour entrer le niveau de puissance (de 10 à 90), puis appuyer sur la commande de mise en marche.

Plateau rotatif

Le plateau rotatif peut être désactivé pour la cuisson manuelle uniquement. Ceci est utile lors de la cuisson dans des assiettes plus grandes que le plateau rotatif ou lors de la cuisson dans des assiettes placées côte à côte. Le plateau rotatif ne peut être désactivé pendant les fonctions pré-réglées ou avec capteur (sur certains modèles).

Ne pas utiliser

- Ustensiles de cuisson métalliques
- Paille ou osier
- Or, argent ou étain
- Thermomètres à viande non approuvés, brochettes
- Attaches
- Doublures en papier d'aluminium, telles que les enveloppes à sandwich
- Agrafes
- Objets avec garniture en or ou en argent ou avec un enduit métallique

Cuisson par détection

Un capteur dans le four à micro-ondes détecte l'humidité dégagée par l'aliment au fur et à mesure qu'il chauffe et règle automatiquement la durée de cuisson en conséquence.

S'assurer que le four à micro-ondes est branché depuis au moins 1 minute. Utiliser un plat adapté au four à micro-ondes avec un couvercle non hermétique, ou couvrir le plat de pellicule de plastique et laisser une ouverture d'échappement de l'air. Pour un rendement optimal, attendre au moins 30 minutes après la cuisson par convection ou la cuisson au gril (sur certains modèles) avant la cuisson par détection.

Cuisson, réchauffage, décongélation pré-réglés

Appuyer à plusieurs reprises sur COOK (cuisson) ou REHEAT (réchauffage) ou DEFROST (décongélation) pour parcourir la liste des options de programme. Rester sur les options de programme souhaitées. Suivre les instructions pour sélectionner un élément du menu secondaire et/ou une quantité donnée, puis appuyer sur la commande Start (mise en marche).

PROGRAMMES DE MENU : Appuyer à plusieurs reprises sur le bouton du menu pour parcourir la liste des options de programme. Rester sur les options de programme souhaitée. Suivre les instructions à l'écran pour sélectionner un article de la liste de menus secondaires et/ou une quantité donnée puis démarrer le programme. Toute entrée invalide provoquera un signal sonore invalide et sera corrigée à une valeur la plus proche de la valeur entrée.

CUISSON

1. Bacon : 1, 2, 3, 4, 5 ou 6 tranches, épaisseur moyenne : Suivre les instructions figurant sur l'emballage.
2. Légumes en conserve : 1, 2, 3, 4 tasses (250 mL à 1 L)
Placer les légumes dans un récipient allant au four à micro-ondes. Recouvrir d'une pellicule en plastique et laisser une ouverture d'échappement de l'air. Remuer et laisser reposer 2 à 3 minutes après la cuisson.
3. Légumes frais : détecte 1 à 4 tasses (250 mL à 1 L)
Placer les légumes dans un récipient allant au four à micro-ondes. Ajouter 2 à 4 cuillerées à soupe (30 à 60 mL) d'eau. Recouvrir d'une pellicule en plastique et laisser une ouverture d'échappement de l'air. Remuer et laisser reposer 2 à 3 minutes après la cuisson.
4. Légumes surgelés : détecte 1 à 4 tasses (250 mL à 1 L)
Retirer les légumes de l'emballage. Placer les légumes dans un plat allant au four à micro-ondes. Ajouter 2 à 4 c. à soupe (30 à 60 mL) d'eau. Recouvrir d'une pellicule en plastique et laisser une ouverture d'échappement de l'air. Remuer et laisser reposer 2 à 3 minutes après la cuisson.
5. Plat surgelé : 10, 20, 40, 60 oz (283, 567, 1 134, 1 701 g). Sortir les aliments de l'emballage. Dégager le couvercle sur 3 côtés. Si le plat ne se trouve pas dans un contenant pour micro-ondes, le placer sur une assiette, le couvrir d'une pellicule de plastique et laisser une ouverture d'échappement de l'air.
6. Petite pomme de terre : Entrer 1 à 4 morceaux, 4 à 7 oz (113 à 198 g) chacun.
Percer plusieurs fois chaque pomme de terre avec une fourchette. Les disposer sur une serviette de papier, ainsi que sur le pourtour du plateau rotatif à au moins 1" (2,5 cm) les unes des autres. Laisser reposer 5 minutes après la cuisson.
7. Grosse pomme de terre : Entrer 1 à 4 morceaux, 8 à 10 oz (227 à 283 g) chacun. Percer plusieurs fois chaque pomme de terre avec une fourchette. Les disposer sur une serviette de papier, ainsi que sur le pourtour du plateau rotatif à au moins 1" (2,5 cm) les unes des autres. Laisser reposer 5 minutes après la cuisson.
8. Riz : Détecte 0,5 à 2 tasses (125 à 500 mL) de riz blanc sec à grain long : Utiliser les quantités d'ingrédients indiquées sur l'emballage. Utiliser le plat allant au four à micro-ondes avec un couvercle non fermé. Laisser reposer 5 minutes après la cuisson, ou jusqu'à absorption du liquide. Remuer.

Maïs éclaté

Deux choix; appuyer sur Popcorn (maïs éclaté) à plusieurs reprises si nécessaire.

Grand sac : détecte les sacs entre 3 et 3,5 oz (85 et 99 g)

Petit sac : détecte les sacs de 1,75 oz (50 g) seulement

Placer le sac sur le plateau rotatif, puis appuyer sur la commande Start (mise en marche). Attendre que l'éclatement ralentisse à 1 éclatement toutes les 1 ou 2 secondes, puis mettre fin au programme. Les résultats de cuisson peuvent varier en fonction de la marque et de la teneur en matières grasses. Pour les autres tailles de sacs, utiliser la cuisson manuelle.

Préréglage pour ramollir/faire fondre

Appuyer à plusieurs reprises sur SOFTEN/MELT (ramollir/faire fondre) pour parcourir la liste des options de programme. Rester sur les options de programme souhaitées. Suivre les instructions pour sélectionner un élément du menu secondaire et/ou une quantité donnée, puis appuyer sur la commande Start (mise en marche).

RÉCHAUFFAGE

1. Produits de boulangerie : 1, 2, 3, 4, 5 ou 6 portions : Placer sur une serviette de papier. On peut considérer deux petits pains comme une seule portion.
2. Boisson : 1 ou 2 tasses, 8 oz (250 mL) chaque.
Ne pas couvrir. Le diamètre de l'ouverture de la tasse affecte la façon dont le liquide est chauffé. Les boissons contenues dans tasse dont l'ouverture est petite peuvent chauffer plus rapidement.
3. Casserole : 1, 2, 3, 4 tasses (250 mL à 1 L)
Placer dans un récipient allant au four à micro-ondes, recouvrir d'une pellicule de plastique. Remuer et laisser reposer 2 à 3 minutes après le réchauffage.
4. Assiette : détecte 1 portion (1 assiette), 8 à 16 oz (227 à 454 g)
Placer l'aliment sur une assiette allant au micro-ondes, couvrir d'une pellicule de plastique et laisser une ouverture d'échappement de l'air.
5. Pizza : 1, 2, 3 morceaux, 4 oz (113 g) chaque
Placer sur une serviette de papier sur assiette en carton.
6. Sauce : détecte 1 à 4 tasses (250 mL à 1 L)
Placer dans un récipient allant au four à micro-ondes, recouvrir d'une pellicule de plastique. Remuer et laisser reposer 2 à 3 minutes après le réchauffage.
7. Soupe : détecte 1, 2, 3, 4 tasses (250 mL à 1 L)
Placer dans un récipient allant au four à micro-ondes, recouvrir d'une pellicule de plastique. Remuer et laisser reposer 2 à 3 minutes après le réchauffage.

DÉCONGÉLATION

1. Volaille : 0,2 à 6,6 lb (90 g à 3 kg) Enlever l'emballage et placer la viande dans un plat allant au four à micro-ondes. Ne pas couvrir.
2. Viande : 0,2 à 6,6 lb (90 g à 3 kg)
Enlever l'emballage et placer la viande dans un plat allant au four à micro-ondes. Ne pas couvrir.
3. Poisson : 0,2 à 4,4 lb (90 g à 2 kg)
Enlever l'emballage et placer la viande dans un plat allant au four à micro-ondes. Ne pas couvrir.
4. Rapide : 1,0 lb - 454 g
Retirer l'emballage et placer le poisson dans un plat de cuisson allant au four à micro-ondes. Ne pas couvrir. Retourner les aliments lorsque le signal retentit.

RAMOLLIR/FAIRE FONDRE :

1. Beurre mou – 0,5, 1, 1,5 ou 2 bâtonnets :
Déballer et placer dans un plat allant au micro-ondes.
2. Ramollir crème glacée – 16, 32 ou 64 oz (473, 946 ou 1893 mL) :
Placer le pot de crème glacée sur le plateau rotatif.
3. Fromage à la crème mou de 8 oz (227 g) seulement :
Déballer et placer dans un plat allant au micro-ondes.
4. Jus congelé – 12 oz (340 g) seulement :
Retirer le couvercle du contenant.

5. Faire fondre beurre – 0,5, 1, 1,5 ou 2 bâtonnets :
Déballer et placer dans un plat allant au micro-ondes. Recouvrir d'une pellicule de plastique.
6. Faire fondre chocolat – 4, 6, 8 ou 12 oz (113, 170, 227 ou 340 g) :
Placer dans un plat allant au four à micro-ondes.
7. Faire fondre fromage – 8 ou 16 oz (227 ou 454 g) :
Placer dans un plat allant au four à micro-ondes. Remuer au signal sonore.
8. Faire fondre guimauves – 5 ou 10 oz (142 ou 283 g) :
Placer dans un plat allant au four à micro-ondes.

ENTRETIEN DU FOUR À MICRO-ONDES

Installation/remplacement des filtres et des ampoules

REMARQUE : Un témoin d'état du filtre (sur certains modèles) apparaît sur l'affichage lorsqu'il est temps de remplacer le filtre à charbon, et de nettoyer ou de remplacer les filtres à graisse. Voir la section "Réglages" pour réinitialiser l'état du filtre.

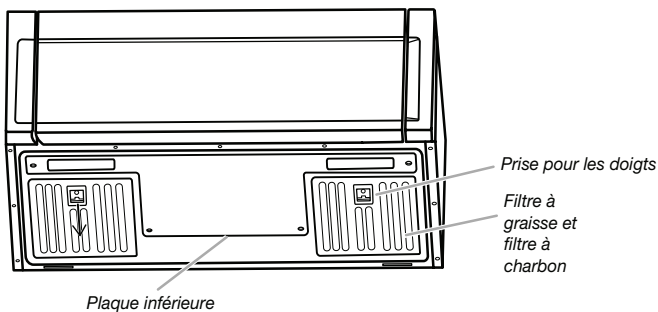
- **Filtres à graisse :** Les filtres à graisse se trouvent sous le four à micro-ondes. Les filtres à graisse doivent être enlevés et nettoyés au moins une fois par mois.

REMARQUE : Recyclage – Ne pas faire fonctionner le four à micro-ondes sans que les filtres soient en place.

Pour la ventilation par le mur ou le toit : Pour assurer une bonne performance du flux d'air, retirer le filtre à charbon de la plaque inférieure avant d'utiliser le four à micro-ondes.

Consulter les étapes suivantes pour le remplacement du filtre à graisse :

1. Pour retirer le filtre à graisse, pousser le passe-main vers l'arrière, puis retirer le filtre de la plaque inférieure.



2. Nettoyer le filtre à graisse tous les mois ou le remplacer par un nouveau filtre à graisse si nécessaire.
3. Replacer le filtre à graisse sur la plaque inférieure.

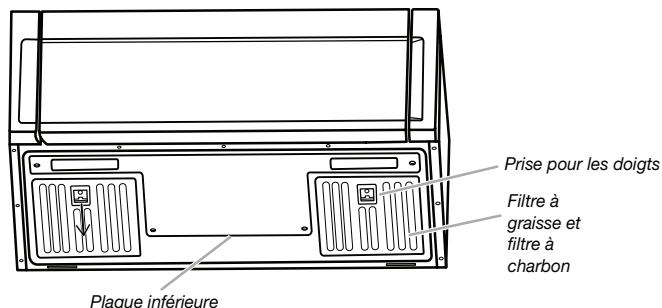
- **Filtres à charbon :** Le filtre à charbon se trouve sous le four à micro-ondes. Il est impossible de nettoyer le filtre à charbon; il est nécessaire de le remplacer tous les 6 mois environ.

REMARQUE : Recyclage – Ne pas faire fonctionner le four à micro-ondes sans que les filtres soient en place.

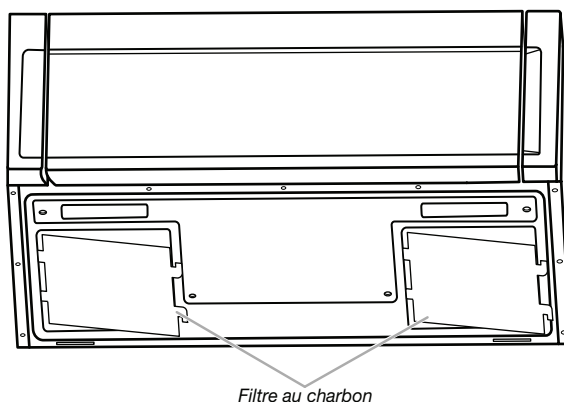
Pour la ventilation par le mur ou le toit : Pour assurer une bonne performance du flux d'air, retirer le filtre à charbon de la plaque inférieure avant d'utiliser le four à micro-ondes.

Consulter les étapes suivantes pour le remplacement du filtre à charbon :

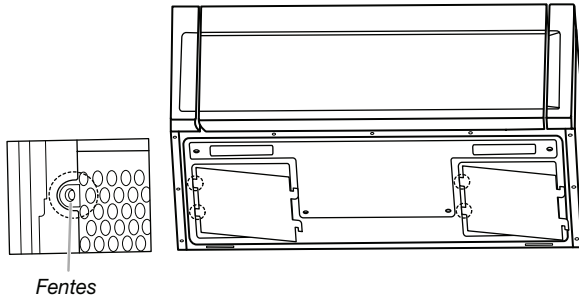
1. Pour retirer d'abord le filtre à graisse, pousser le passe-main vers l'arrière, puis retirer le filtre de la plaque inférieure et garder pour plus tard.



2. Retirer le filtre au charbon de la plaque inférieure.



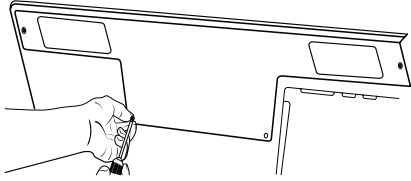
3. Replacer un nouveau filtre au charbon et le fixer à la plaque inférieure. S'assurer que les côtés gauche et droit sont bien insérés dans les fentes de la plaque inférieure.



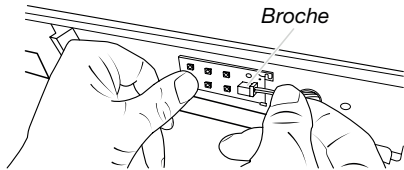
4. Replacer le filtre à graisse sur la plaque inférieure.
 - **Lampe de la table de cuisson :** L'ampoule d'éclairage de la table de cuisson se trouve sur la face inférieure du four à micro-ondes et peut être remplacée.

Pour remplacer l'ampoule de la table de cuisson, se reporter aux étapes suivantes :

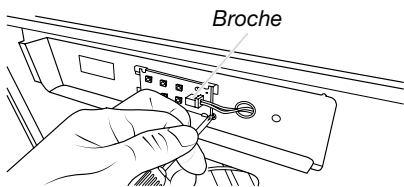
1. À l'aide d'un tournevis Phillips, enlever les 4 vis du couvercle d'éclairage inférieur en forme "T".



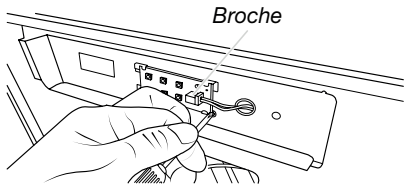
2. Débrancher la borne de la carte DEL.



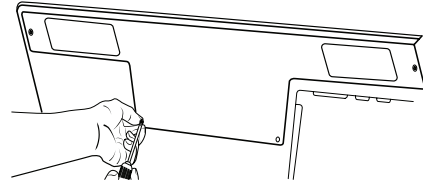
3. À l'aide d'un tournevis Phillips, retirer la vis de la carte DEL, puis la mettre de côté.



4. Installer la nouvelle DEL, fixez la vis en arrière.



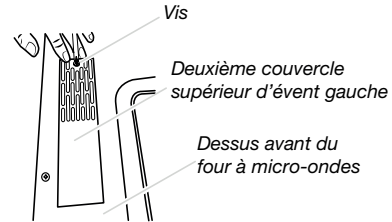
5. À l'aide d'un tournevis Phillips, revisser les 4 vis du couvercle d'éclairage inférieur en forme "T".



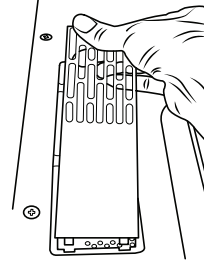
- **Lampe de la cavité :** L'ampoule de la cavité se trouve sur la partie supérieure avant du four à micro-ondes, sous le couvercle; elle peut être remplacée.

Pour remplacer l'ampoule de la cavité, se reporter aux étapes suivantes :

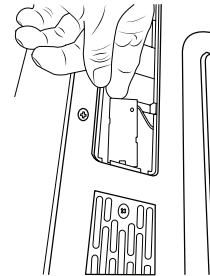
1. À l'aide d'un tournevis Phillips, retirer la vis du deuxième couvercle supérieur gauche d'évent sur la partie supérieure du four à micro-ondes.



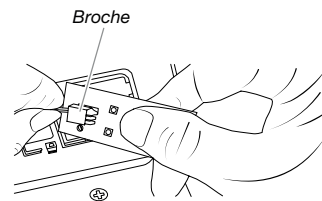
2. Retirer le couvercle supérieur gauche.



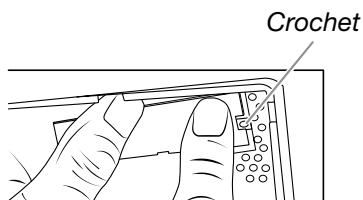
3. Sortir la carte DEL.



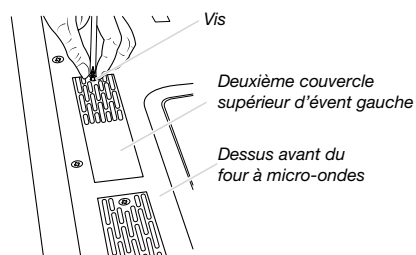
4. Débrancher la borne DEL.



5. Installer la nouvelle DEL et l'enclencher dans le crochet.



6. Refixer le couvercle supérieur gauche au moyen de la vis retirée à l'étape 1.



ACCESSOIRES

Voici ci-dessous une liste des pièces et fournitures qui peuvent être achetées séparément. Consulter la section "Garantie" pour savoir qui contacter.

Accessoires de nettoyage

- Produit de dégraissage pour service intense
- Nettoyant pour cuisine et appareils ménagers affresh®
- Nettoyant pour acier inoxydable affresh®
- Chiffons pour acier inoxydable affresh®

DÉPANNAGE

Essayez d'abord les solutions suggérées ici. Pour obtenir de l'aide ou des conseils qui permettront peut-être d'éviter une intervention de dépannage, consultez la page de garantie de ce manuel ou visitez le site Web www.kitchenaid.com/customer-service. Au Canada, visitez le www.kitchenaid.ca.

Il est possible d'adresser ses commentaires ou questions par courrier à l'adresse ci-dessous :

Aux États-Unis :

KitchenAid Brand Home Appliances
Customer eXperience Center
553 Benson Road
Benton Harbor, MI 49022-2692

Au Canada :

KitchenAid Brand Home Appliances
Customer eXperience Center
200 - 6750 Century Ave.
Mississauga ON L5N 0B7

Veillez indiquer dans votre correspondance un numéro de téléphone où l'on peut vous joindre dans la journée.

Si les problèmes suivants surviennent	Solutions recommandées
Le four à micro-ondes ne fonctionne pas	<p>Vérifier ce qui suit :</p> <ul style="list-style-type: none"> ■ Fusible ou disjoncteur – Si le fusible est grillé ou que le disjoncteur s'est déclenché, remplacer le fusible ou réenclencher le disjoncteur. Si le problème persiste, appeler un électricien. ■ Magnétron – Faire chauffer une tasse (250 mL) d'eau froide pendant 2 minutes à la puissance de cuisson maximale. Si l'eau ne chauffe pas, essayer les étapes ci-dessous. Si le four à micro-ondes ne fonctionne toujours pas, faire un appel de service. ■ Porte – Bien fermer la porte. Sur certains modèles, si une cale d'espacement est fixée à l'intérieur de la porte, la retirer puis bien fermer la porte. Si un message concernant la porte s'affiche, la porte a été fermée depuis au moins 5 minutes sans que le four à micro-ondes ait été mis en marche. Le but du message est d'éviter une mise en marche accidentelle du four à micro-ondes. Ouvrir et fermer la porte, puis démarrer le programme. ■ Commande – Vérifier que la commande est réglée correctement. Vérifier que le verrouillage des commandes est désactivé. Vérifier que le mode de démonstration (sur certains modèles) est éteint.
Formation d'arcs à l'intérieur du four à micro-ondes	<p>Vérifier ce qui suit :</p> <ul style="list-style-type: none"> ■ Accumulation de saletés – Une accumulation de saletés sur les parois de la cavité, l'orifice d'introduction des micro-ondes, les supports de la grille de cuisson et la zone de contact entre le cadre et la porte peut entraîner la formation d'arcs. Voir "Nettoyage général" dans la section "Entretien du four à micro-ondes".
Le plateau rotatif tourne dans les deux sens	<ul style="list-style-type: none"> ■ Ceci est normal et dépend de la rotation du moteur au début du programme.
Des messages s'affichent	<ul style="list-style-type: none"> ■ L'inscription "Enter clock" s'affiche et des chiffres clignotent : il y a eu une panne de courant. Régler à nouveau l'horloge. ■ Une lettre suivie d'un numéro indique une erreur. Appeler pour l'assistance.
Le ventilateur fonctionne pendant l'utilisation de la table de cuisson	<ul style="list-style-type: none"> ■ Ceci est normal. Le ventilateur de refroidissement du four à micro-ondes, qui est séparé du ventilateur d'évacuation, se met automatiquement en marche pendant le fonctionnement du four à micro-ondes pour le refroidir. Il peut également se mettre en marche automatiquement et fonctionner par intermittence pour refroidir les commandes du four à micro-ondes lorsque la table de cuisson située en dessous est en cours d'utilisation.
Brouillage par une radio, un téléviseur, un téléphone sans fil	<p>Vérifier ce qui suit :</p> <ul style="list-style-type: none"> ■ Proximité – Éloigner l'appareil du four à micro-ondes ou régler l'antenne de la radio ou du téléviseur. ■ Saleté – Vérifier que la porte du four à micro-ondes et les surfaces d'étanchéité sont propres. ■ Fréquence – Certains téléphones sans fil et réseaux domestiques sans fil à 2,4 GHz peuvent être parasités lorsque le four à micro-ondes est en marche. Utiliser un téléphone avec fil, un téléphone sans fil avec une fréquence différente ou éviter d'utiliser ces appareils pendant le fonctionnement du four à micro-ondes.

GARANTIE LIMITÉE DES GROS APPAREILS MÉNAGERS KITCHENAID®

ATTACHEZ ICI VOTRE REÇU DE VENTE. UNE PREUVE D'ACHAT EST OBLIGATOIRE POUR OBTENIR L'APPLICATION DE LA GARANTIE.

Lorsque vous appelez le centre d'eXpérience de la clientèle, veuillez garder à disposition les renseignements suivants :

- Nom, adresse et numéro de téléphone
- Numéros de modèle et de série
- Une description claire et détaillée du problème rencontré
- Une preuve d'achat incluant le nom et l'adresse du marchand ou du détaillant

SI VOUS AVEZ BESOIN DE SERVICE :

1. Avant de nous contacter pour obtenir un dépannage, veuillez déterminer si des réparations sont nécessaires pour votre produit. Certains problèmes peuvent être résolus sans intervention de dépannage. Prenez quelques minutes pour parcourir la section Dépannage ou Résolution de problèmes du guide d'utilisation et d'entretien, ou rendez-vous sur le site <http://www.kitchenaid.ca>.
2. Tout service sous garantie doit être effectué exclusivement par nos fournisseurs de dépannage autorisés KitchenAid. Aux É.-U. et au Canada, dirigez toutes vos demandes de service sous garantie au

Centre d'eXpérience de la clientèle KitchenAid

Aux É.-U., composer le 1-800-422-1230. Au Canada, composer le 1-800-807-6777.

Si vous résidez à l'extérieur du Canada et des 50 États des États-Unis, contactez votre marchand KitchenAid autorisé pour déterminer si une autre garantie s'applique.

GARANTIE LIMITÉE DE UN AN

CE QUI EST COUVERT

Pendant un an à compter de la date d'achat, lorsque ce gros appareil ménager est installé, utilisé et entretenu conformément aux instructions jointes à ou fournies avec le produit, la marque KitchenAid de Whirlpool Corporation ou Whirlpool Canada, LP (ci-après désignées "KitchenAid") décidera à sa seule discrétion de remplacer le produit ou de couvrir le coût des pièces spécifiées par l'usine et de la main-d'œuvre nécessaires pour corriger les vices de matériaux ou de fabrication qui existaient déjà lorsque ce gros appareil ménager a été acheté. S'il est remplacé, l'appareil sera couvert pour la période restant à courir de la garantie limitée d'un an du produit d'origine.

LE SEUL ET EXCLUSIF RECOURS DU CLIENT DANS LE CADRE DE LA PRÉSENTE GARANTIE LIMITÉE CONSISTE EN LA RÉPARATION PRÉVUE PAR LA PRÉSENTE. Le service doit être fourni par une compagnie de service désignée par KitchenAid. Cette garantie limitée est valide uniquement aux États-Unis ou au Canada et s'applique exclusivement lorsque le gros appareil ménager est utilisé dans le pays où il a été acheté. La présente garantie limitée est valable à compter de la date d'achat initial par le consommateur. Une preuve de la date d'achat initial est exigée pour obtenir un dépannage dans le cadre de la présente garantie limitée.

CE QUI N'EST PAS COUVERT

1. Usage commercial, non résidentiel ou par plusieurs familles, ou non-respect des instructions de l'utilisateur, de l'opérateur ou des instructions d'installation.
2. Visite d'instruction à domicile pour montrer à l'utilisateur comment utiliser l'appareil.
3. Visites de service pour rectifier une installation ou un entretien fautifs du produit, une installation non conforme aux codes d'électricité ou de plomberie, ou la rectification de l'installation électrique ou de la plomberie du domicile (ex : câblage électrique, fusibles ou tuyaux d'arrivée d'eau du domicile).
4. Pièces consommables (ex : ampoules, batteries, filtres à air ou à eau, solutions de conservation, etc.).
5. Défauts ou dommage résultant de l'utilisation de pièces ou accessoires KitchenAid non authentiques.
6. Conversion de votre produit du gaz naturel ou du gaz de propane.
7. Dommages causés par : accident, mésusage, abus, incendie, inondations, catastrophe naturelle ou l'utilisation de produits non approuvés par KitchenAid.
8. Réparations aux pièces ou systèmes dans le but de rectifier un dommage ou des défauts résultant d'une réparation, altération ou modification non autorisée faite à l'appareil.
9. Défauts d'apparence, notamment les éraflures, traces de choc, fissures ou tout autre dommage subi par le fini de l'appareil ménager, à moins que ces dommages ne résultent de vices de matériaux ou de fabrication et ne soient signalés à KitchenAid dans les 30 jours suivant la date d'achat.
10. Décoloration, rouille ou oxydation des surfaces résultant d'environnements caustiques ou corrosifs incluant des concentrations élevées de sel, un haut degré d'humidité ou une exposition à des produits chimiques (exemples non exhaustifs).
11. Perte d'aliments ou de médicaments due à la défaillance du produit.
12. Enlèvement ou livraison. Ce produit est conçu pour être réparé à l'intérieur du domicile.
13. Frais de déplacement et de transport pour le dépannage/la réparation dans une région éloignée où une compagnie de service KitchenAid autorisée n'est pas disponible.
14. Retrait ou réinstallation d'appareils inaccessibles ou de dispositifs préinstallés (ex : garnitures, panneaux décoratifs, plancher, meubles, îlots de cuisine, plans de travail, panneaux de gypse, etc.) qui entravent le dépannage, le retrait ou le remplacement du produit.
15. Service et pièces pour des appareils dont les numéros de série et de modèle originaux ont été enlevés, modifiés ou ne peuvent pas être facilement identifiés.

Le coût d'une réparation ou d'un remplacement dans le cadre de ces circonstances exclues est à la charge du client.

CLAUSE D'EXONÉRATION DE RESPONSABILITÉ AU TITRE DES GARANTIES IMPLICITES

LES GARANTIES IMPLICITES, Y COMPRIS LES GARANTIES APPLICABLES DE QUALITÉ MARCHANDE OU D'APTITUDE À UN USAGE PARTICULIER, SONT LIMITÉES À UN AN OU À LA PLUS COURTE PÉRIODE AUTORISÉE PAR LA LOI. Certains États et provinces ne permettent pas de limitation sur la durée des garanties implicites de qualité marchande ou d'aptitude à un usage particulier, de sorte que la limitation ci-dessus peut ne pas être applicable dans votre cas. Cette garantie vous confère des droits juridiques spécifiques et vous pouvez également jouir d'autres droits qui peuvent varier d'une juridiction à l'autre.

EXONÉRATION DE RESPONSABILITÉ DANS LES DOMAINES NON COUVERTS PAR LA GARANTIE

KitchenAid décline toute responsabilité au titre de la qualité, de la durabilité ou en cas de dépannage ou de réparation nécessaire sur ce gros appareil ménager autre que les responsabilités énoncées dans la présente garantie. Si vous souhaitez une garantie plus étendue ou plus complète que la garantie limitée fournie avec ce gros appareil ménager, adressez-vous à KitchenAid ou à votre détaillant pour obtenir les modalités d'achat d'une garantie étendue.

LIMITATION DES RECOURS; EXCLUSION DES DOMMAGES FORTUITS OU INDIRECTS

LE SEUL ET EXCLUSIF RECOURS DU CLIENT DANS LE CADRE DE LA PRÉSENTE GARANTIE LIMITÉE CONSISTE EN LA RÉPARATION PRÉVUE PAR LA PRÉSENTE. KITCHENAID N'ASSUME AUCUNE RESPONSABILITÉ POUR LES DOMMAGES FORTUITS OU INDIRECTS. Certains États et certaines provinces ne permettent pas l'exclusion ou la limitation des dommages fortuits ou indirects de sorte que ces limitations et exclusions peuvent ne pas être applicables dans votre cas. Cette garantie vous confère des droits juridiques spécifiques et vous pouvez également jouir d'autres droits qui peuvent varier d'une juridiction à l'autre.

11/14