

# ELECTRIC DRYER OWNER'S MANUAL

## GUIDE D'UTILISATION DE LA SÉCHEUSE ÉLECTRIQUE

---

### Table of Contents/Table des matières

<b>DRYER SAFETY</b> .....	2	<b>SÉCURITÉ DE LA SÉCHEUSE</b> .....	21
Dryer Safety .....	2	Sécurité de la sécheuse .....	21
<b>DRYER MAINTENANCE AND CARE</b> .....	5	<b>ENTRETIEN ET RÉPARATION DE LA SÉCHEUSE</b> .....	24
Cleaning the Dryer Location .....	5	Nettoyage de l'emplacement de la sécheuse .....	24
Cleaning the Dryer Interior .....	5	Nettoyage de l'intérieur de la sécheuse.....	24
Removing Accumulated Lint.....	5	Retrait de la charpie accumulée .....	24
Cleaning the Lint Screen .....	5	Nettoyage du filtre à charpie.....	24
Changing the Drum Light (on some models) .....	6	Changement de l'ampoule d'éclairage du tambour (sur certains modèles) .....	25
Check Your Vent System for Good Airflow .....	6	Vérification d'une circulation d'air adéquate pour le système d'évacuation .....	25
Maintain Good Airflow .....	6	Pour maintenir une bonne circulation d'air .....	25
Nonuse, Storage, and Moving Care .....	6	Précautions à prendre avant une non-utilisation, un entreposage ou un déménagement.....	26
<b>INSTALLATION REQUIREMENTS</b> .....	7	<b>EXIGENCES D'INSTALLATION</b> .....	26
Tools and Parts .....	7	Outils et pièces.....	26
Location Requirements .....	8	Exigences d'emplacement .....	28
Electrical Requirements – U.S.A. ....	9	Spécifications électriques – É.-U. ....	29
Electric Requirements – Canada .....	10	Spécifications électriques – Canada.....	30
<b>INSTALLATION INSTRUCTIONS</b> .....	11	<b>INSTRUCTIONS D'INSTALLATION</b> .....	31
Install Leveling Legs .....	11	Installation des pieds de réglage de l'aplomb .....	31
Electrical Installation – U.S.A. ....	11	Installation électrique – É.-U. ....	32
Home Venting Requirements.....	16	Exigences concernant l'évacuation pour une maison .....	37
Plan Vent System .....	17	Planification des circuits de conduits .....	38
Install Vent System.....	18	Installation du conduit d'évacuation.....	40
Connect Inlet Hoses .....	18	Raccordement des tuyaux d'alimentation .....	40
Connect Vent (Vented Models Only).....	19	Raccordement du conduit d'évacuation (sur les modèles avec conduit seulement).....	41
Level Dryer.....	19	Réglage de l'aplomb de la sécheuse .....	42
Complete Installation Checklist .....	20	Liste de vérification pour installation terminée .....	43

#### **IMPORTANT:**

Save for local electrical inspector's use.

#### **IMPORTANT :**

À conserver pour consultation par l'inspecteur local des installations électriques.

# DRYER SAFETY

## Your safety and the safety of others are very important.

We have provided many important safety messages in this manual and on your appliance. Always read and obey all safety messages.



This is the safety alert symbol.

This symbol alerts you to potential hazards that can kill or hurt you and others.

All safety messages will follow the safety alert symbol and either the word "DANGER" or "WARNING." These words mean:

**⚠ DANGER**

You can be killed or seriously injured if you don't immediately follow instructions.

**⚠ WARNING**

You can be killed or seriously injured if you don't follow instructions.

All safety messages will tell you what the potential hazard is, tell you how to reduce the chance of injury, and tell you what can happen if the instructions are not followed.



## **WARNING** — "Risk of Fire"

- Clothes dryer installation must be performed by a qualified installer.
- Install the clothes dryer according to the manufacturer's instructions and local codes.
- Do not install a clothes dryer with flexible plastic venting materials or flexible metal (foil type) duct. If flexible metal duct is installed, it must be of a specific type identified by the appliance manufacturer as suitable for use with clothes dryers. Flexible venting materials are known to collapse, be easily crushed, and trap lint. These conditions will obstruct clothes dryer airflow and increase the risk of fire.
- To reduce the risk of severe injury or death, follow all installation instructions.
- Save these instructions.

## IMPORTANT SAFETY INSTRUCTIONS

**WARNING:** To reduce the risk of fire, electric shock, or injury to persons when using your appliance, follow basic precautions, including the following:

- Read all instructions before using the appliance.
- Do not dry articles that have been previously cleaned in, washed in, soaked in, or spotted with gasoline, dry-cleaning solvents, or other flammable or explosive substances, as they give off vapors that could ignite or explode.
- Do not allow children to play on or in the appliance. Close supervision of children is necessary when the appliance is used near children.
- Before the appliance is removed from service or discarded, remove the door to the drying compartment.
- Do not reach into the appliance if the drum is moving.
- Do not install or store this appliance where it will be exposed to the weather.
- Do not tamper with controls.
- Do not repair or replace any part of the appliance or attempt any servicing unless specifically recommended in the user-maintenance instructions or in published user-repair instructions that you understand and have the skills to carry out.
- Do not use fabric softeners or products to eliminate static unless recommended by the manufacturer of the fabric softener or product.
- Do not use heat to dry articles containing foam rubber or similarly textured rubber-like materials.
- Clean lint screen before or after each load.
- Keep area around the exhaust opening and adjacent surrounding areas free from the accumulation of lint, dust, and dirt.
- The interior of the appliance and exhaust duct should be cleaned periodically by qualified service personnel.
- Do not place items exposed to cooking oils in your dryer. Items contaminated with cooking oils may contribute to a chemical reaction that could cause a load to catch fire. To reduce the risk of fire due to contaminated loads, the final part of a tumble dryer cycle occurs without heat (cool down period). Avoid stopping a tumble dryer before the end of the drying cycle unless all items are quickly removed and spread out so that the heat is dissipated.
- Do not use replacement parts that have not been recommended by the manufacturer (e.g. parts made at home using a 3D printer).
- See the Installation Instructions for grounding requirements and installation.
- Do not install a booster fan in the exhaust duct.  
**NOTE:** The booster fan warning does not apply to clothes dryers intended to be installed in a multiple clothes dryer system, with an engineered exhaust duct system that is installed per the clothes dryer manufacturer's guidelines.

**SAVE THESE INSTRUCTIONS**

## IMPORTANT SAFETY INSTRUCTIONS

WHEN DISCARDING OR STORING YOUR OLD CLOTHES DRYER, REMOVE THE DOOR.

**SAVE THESE INSTRUCTIONS**

# Internet Connectivity Guide for Connected Appliances Only

**IMPORTANT:** Proper installation of your appliance prior to use is your responsibility. Be sure to read and follow the installation instructions that came with your appliance.

Connectivity requires Wi-Fi and account creation. App features and functionality are subject to change. Data rates may apply. Once installed, launch the app. You will be guided through the steps to set up a user account and to connect your appliance.

## You Will Need:

- A home wireless router supporting Wi-Fi, 2.4 Ghz with WPA2 security. If you are unsure of your router's capabilities, refer to the router manufacturer's instructions.
- The router to be on and have a live internet connection.
- The 10-character SAID code for your appliance. The SAID code is either printed on a label on the appliance or found on the LCD screen.

## Federal Communications Commission (FCC) Compliance Notice

This device complies with Part 15 of the FCC Rules. Operation is subject to the following two conditions:

1. This device may not cause harmful interference, and
2. This device must accept any interference received, including interference that may cause undesired operation.

Changes or modifications not expressly approved by the party responsible for compliance could void the user's authority to operate the equipment.

## Industry Canada (IC) Compliance Notice

This Device complies with Industry Canada License-exempt RSS standard(s). Operation is subject to the following two conditions:

1. This device may not cause interference.
2. This device must accept any interference, including interference that may cause undesired operation of the device.

Under Industry Canada regulations, this radio transmitter may only operate using an antenna of a type and maximum (or lesser) gain approved for the transmitter by Industry Canada. To reduce potential radio interference to other users, the antenna type and its gain should be so chosen that the equivalent isotropically radiated power (e.i.r.p.) is not more than that necessary for successful communication.

To comply with FCC and Industry Canada RF radiation exposure limits for general population, antenna(s) used for this transmitter must be installed such that a minimum separation distance of 20 cm is maintained between the radiator (antenna) and all persons at all times and must not be co-located or operating in conjunction with any other antenna or transmitter.


If this equipment does cause harmful interference to radio or television reception, which can be determined by turning the equipment off and on, the user is encouraged to try to correct the interference by one of the following measures:

- Reorient or relocate the receiving antenna.
- Increase the separation between the equipment and receiver.
- Connect the equipment into an outlet on a circuit different from that to which the receiver is connected.
- Consult the dealer or an experienced radio/TV technician for help.

# DRYER MAINTENANCE AND CARE

## Cleaning the Dryer Location

**⚠ WARNING**



**Explosion Hazard**

Keep flammable materials and vapors, such as gasoline, away from dryer.

Do not dry anything that has ever had anything flammable on it (even after washing).

Place dryer at least 18 inches (460 mm) above the floor for a garage installation.

Failure to do so can result in death, explosion, or fire.

Keep dryer area clear and free from items that would block the airflow for proper dryer operation. This includes clearing piles of laundry in front of the dryer.

## Cleaning the Dryer Interior

### To clean dryer drum:

1. Use nonflammable cleaner or a mild hand dish detergent mixed at a low concentration with very warm water, and rub with a soft cloth.
  - Rinse well with a wet sponge or towel.
  - Tumble a load of clean clothes or towels to dry drum.

OR

2. Use a microfiber cloth and very warm water in a spray bottle to clean the drum and a second microfiber towel to dry.

**NOTE:** Garments that contain unstable dyes, such as denim blue jeans or brightly colored cotton items, may discolor the rear of the dryer interior. These stains are not harmful to your dryer and will not stain future loads of clothes. Dry unstable dye items inside out to avoid transfer of dye.

## Removing Accumulated Lint

### From inside the dryer cabinet:

Lint should be removed every 2 years, or more often, depending on dryer usage. Cleaning should be done by a qualified appliance service or ventilation system cleaner.

### From the exhaust vent:

Lint should be removed every 2 years, or more often, depending on dryer usage.

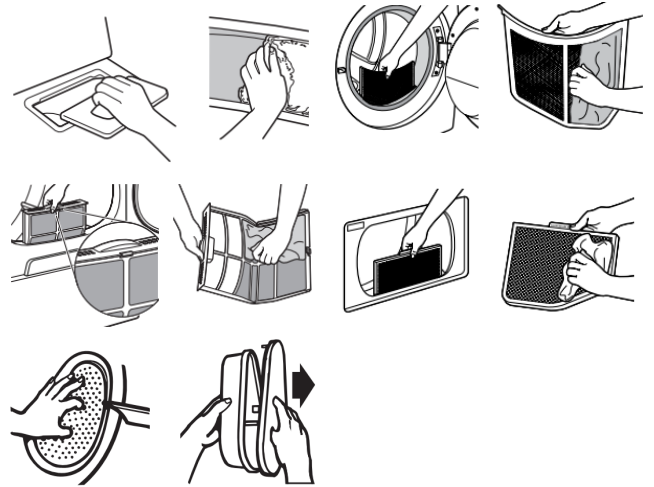
## Cleaning the Lint Screen

### Every load cleaning:

The lint screen may be located either in the door opening or the top of the dryer depending on model. A screen blocked by lint can increase drying time.

### To clean:

1. Remove the lint screen. If necessary, press the tab to release and open the lint screen. Roll lint off the screen with your fingers. Do not rinse or wash screen to remove lint. Wet lint is hard to remove.



2. Push the lint screen firmly back into place.

### IMPORTANT:

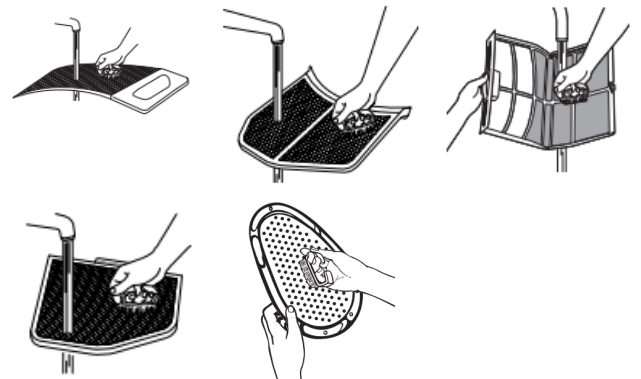
- Do not run the dryer with the lint screen loose, damaged, blocked, or missing. Doing so can cause overheating and damage to both the dryer and fabrics.
- If lint falls off the screen into the dryer during removal, check the exhaust hood and remove the lint. See "Venting Requirements" in the Installation Instructions.
- Clean space where lint screen is located, as needed. Using a vacuum, gently remove any lint that has accumulated outside of the lint screen.

### As-needed cleaning:

Laundry detergent and fabric softener residue can build up on the lint screen. This buildup can cause longer drying times for your clothes, or cause the dryer to stop before your load is completely dry. The screen is probably clogged if lint falls off while the screen is in the dryer. Clean the lint screen with a nylon brush every 6 months, or more frequently, if it becomes clogged due to a residue buildup.

### To wash:

1. Roll lint off the screen with your fingers.
2. Wet both sides of lint screen with hot water.
3. Wet a nylon brush with hot water and liquid detergent. Scrub lint screen with the brush to remove residue buildup.



4. Rinse screen with hot water.
5. Thoroughly dry lint screen with a clean towel. Reinstall screen in dryer.

## Changing the Drum Light (on some models)

1. Unplug dryer or disconnect power.
2. Open the dryer door. Locate the light bulb cover on the back wall of the dryer. Using a 1/4" (6.5 mm) nut driver or socket wrench, remove the screw located in the lower right-hand corner of the cover. Remove the cover.



3. Turn bulb counterclockwise. Replace the bulb with a 10 W appliance bulb only. Replace the cover and secure with the screw.
4. Plug in dryer or reconnect power.

## Check Your Vent System for Good Airflow

### ⚠ WARNING



#### Fire Hazard

- Use a heavy metal vent.
- Do not use a plastic vent.
- Do not use a metal foil vent.
- Failure to follow these instructions can result in death or fire.

### Good Airflow

Along with heat, dryers require good airflow to efficiently dry laundry. Proper venting will reduce your drying times and improve your energy savings. See Installation Instructions.

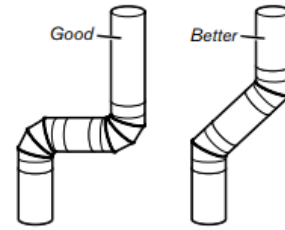
The venting system attached to the dryer plays a big role in good airflow. Blocked or crushed vents as well as improper venting installation will reduce air flow and dryer performance.

Service calls caused by improper venting are not covered by the warranty and will be paid by the customer, regardless of who installed the dryer. To clean or repair venting, contact a venting specialist.

## Maintain Good Airflow

- Cleaning your lint screen before each load.
- Replace plastic or foil vent material with 4" (102 mm) diameter heavy, rigid vent material.
- Use the shortest length of vent possible.

- Use no more than four 90° elbows in a vent system; each bend and curve reduces airflow.



- Remove lint and debris from the exhaust hood.
- Remove lint from the entire length of the vent system at least every 2 years. When cleaning is complete, be sure to follow the Installation Instructions for final product check.
- Clear away items from the front of the dryer.

## Nonuse, Storage, and Moving Care

### Nonuse or Storage Care

If you will be on vacation or not using your dryer for an extended period of time, you should:

1. Unplug dryer or disconnect power.
2. Clean lint screen. See "Cleaning the Lint Screen."
3. Steam Models Only: Turn off the water supply to the dryer. This helps to avoid flooding (due to a water pressure surge) while you are away.

### Moving Care

#### For power supply cord-connected dryers:

1. Unplug the power supply cord.
2. Steam models only: Shut off water faucet. Disconnect the water inlet hose from faucet; then drain the hose. Transport hose separately.
3. Make sure leveling legs are secure in dryer base.
4. Use tape to secure dryer door.
5. On models with base trim, remove base trim before moving dryer. See "Install and remove base trim (on some models)" for details.

#### For direct-wired dryers:

### ⚠ WARNING



#### Electrical Shock Hazard

- Disconnect power before servicing.
- Replace all parts and panels before operating.
- Failure to do so can result in death or electrical shock.

1. Turn off power at fuse or breaker box.
2. Disconnect wiring.
3. Steam models only: Shut off water faucet. Disconnect the water inlet hose from faucet; then drain the hose. Transport hose separately.
4. Make sure leveling legs are secure in dryer base.
5. Use tape to secure dryer door.
6. On models with base trim, remove base trim before moving dryer. See "Install and remove base trim (on some models)" for details.

## To winterize the dryer:

1. Unplug dryer or disconnect power.
2. Shut off water faucet.
3. Disconnect water inlet hose from faucet and drain.

## To use the dryer again:

1. Flush water pipes. Reconnect water inlet hose to faucet. Turn on water faucet.
2. Plug in dryer or reconnect power as described in the Installation Instructions.

## Reinstalling the Dryer

Follow the Installation Instructions to locate, level, and connect the dryer.

## Special Instructions for Steam Models

Install and store your dryer where it will not freeze. Because some water may stay in the hose, freezing can damage your dryer. If storing or moving your dryer during freezing weather, winterize it.

## Water inlet hose

Replace inlet hose and hose screen after 5 years of use to reduce the risk of hose failure. Periodically inspect and replace inlet hose if bulges, kinks, cuts, wear, or leaks are found.

When replacing your inlet hose, record the date of replacement.

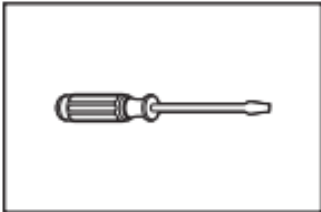
# INSTALLATION REQUIREMENTS

## Tools and Parts

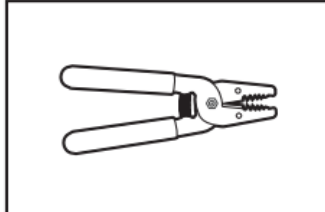
**NOTE:** Install the clothes dryer according to the manufacturer's instructions and local codes.

Gather required tools and parts before starting installation. Read and follow the instructions provided with any tools listed here.

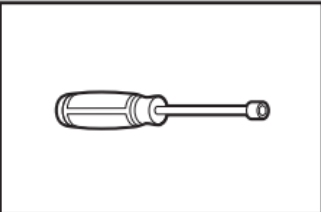
### Tools Needed for All Installations:



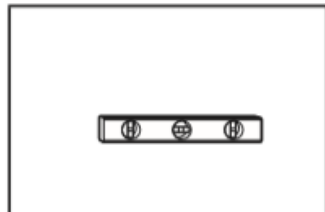
Flat-blade screwdriver



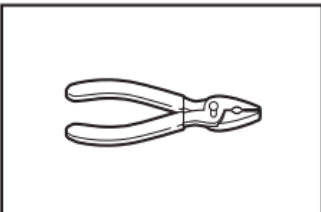
Wire stripper



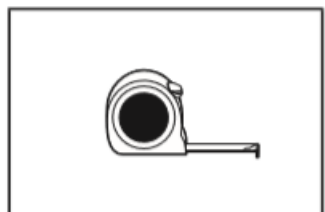
1/4" Nut driver



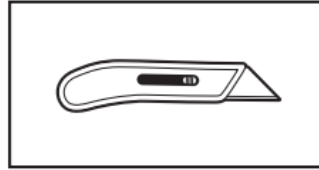
Level



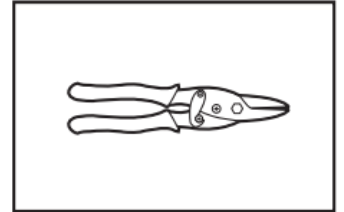
Pliers



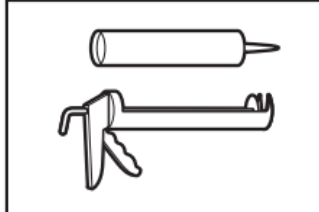
Tape measure



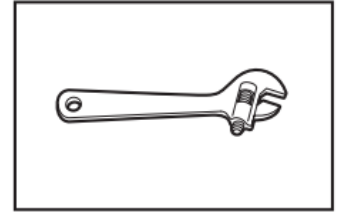
Utility knife



Tin snips

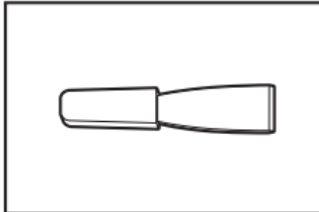


Caulking gun and compound



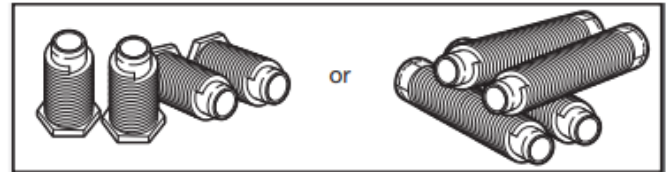
Adjustable wrench that opens to 1" (25 mm) or hex-head socket wrench

### Additional Tools Needed (on some models):



Putty knife

### Parts Supplied (all models):



Leveling legs (4) (Length and appearance of legs may vary according to model)

Parts package is located in dryer drum. Check that all parts are included.

**NOTE:** Do not use leveling legs supplied with dryer if installing with a pedestal or stack kit.

### Parts Needed (steam models):



"Y" connector



Rubber washer

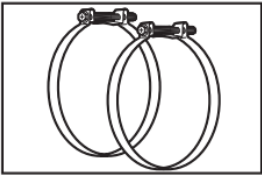


2' (0.6 m) inlet hose



5' (1.52 m) inlet hose

## Vented Models:



Vent Clamps, elbows, and vent work

## Parts Needed (not supplied with dryer):

Additional parts may be required, depending on your installation. Check local codes. Check existing electrical supply and venting. See "Electrical Requirements" and "Venting Requirements" before purchasing parts.

Mobile home installations require metal exhaust system hardware available for purchase from the dealer from whom you purchased your dryer. For further information, please refer to the Quick Start Guide for service contact information.

## Available Accessories:

Accessories and replacement parts are available for your model. For ordering and contact information, please reference your Quick Start Guide.

## Location Requirements

**⚠ WARNING**

**Explosion Hazard**

**Keep flammable materials and vapors, such as gasoline, away from dryer.**

**Do not dry anything that has ever had anything flammable on it (even after washing).**

**Place dryer at least 18 inches (460 mm) above the floor for a garage installation.**

**Failure to do so can result in death, explosion, or fire.**

Check code requirements. Some codes limit, or do not permit, installing dryer in garages, closets, mobile homes, or sleeping quarters. Contact your local building inspector.

### You will need:

- **For vented models:** A location allowing for proper exhaust installation. See "Venting Requirements."
- A separate 30 A circuit for electric dryers.
- If you are using power supply cord, a grounded electrical outlet located within 2 ft (610 mm) of either side of dryer. See "Electrical Requirements."
- A sturdy floor to support dryer weight of 200 lbs (90.7 kg). Also, consider the combined weight of the companion appliance.
- **For steam dryers:** Cold water faucets located within 4 ft (1.2 m) of the water fill valves, and water pressure of 20–120 psi (138–827 kPa). You may use the water supply for your washer using the necessary parts as noted (which you may need to purchase).

- Level floor with a maximum slope of 1" (25 mm) under the entire dryer. If the slope is greater than 1" (25 mm), install Extended Dryer Feet Kit. If not level, clothes may not tumble properly and automatic sensor cycles may not operate correctly.
- For garage installation, place dryer at least 18" (460 mm) above the floor. If using a pedestal, you will need 18" (460 mm) to bottom of the dryer.
- The dryer must not be installed or stored in an area where it will be exposed to water and/or weather.

**IMPORTANT:** Do not operate dryer at temperatures below 45°F (7°C). Lower temperatures may cause dryer not to shut off at end of automatic sensor cycles, resulting in longer drying times.

### Installation clearances:

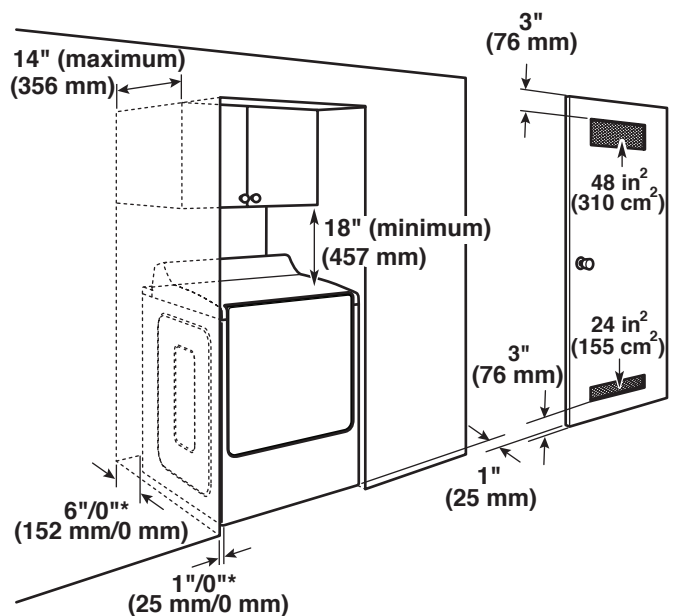
For each arrangement, consider allowing more space for ease of installation and servicing, spacing for companion appliances, and clearances for walls, doors, and floor moldings. Space must be large enough to allow the dryer door to fully open. Add spacing on all sides of the dryer to reduce noise transfer. If a closet door is used, top and bottom air openings are required. Louvered doors with equivalent ventilation openings can be used.

### Installation spacing for a recessed area or closet

All dimensions show recommended and minimum spacing allowed.

- Additional spacing should be considered for ease of installation and servicing.
- Additional clearances might be required for wall, door, floor, moldings, dryer venting, and drain system.
- Additional spacing should be considered on all sides of the dryer to reduce noise transfer.
- For closet installation with a door, minimum ventilation openings in the top and bottom of the door are required for vented models. Louvered doors with equivalent ventilation openings are acceptable.
- Companion appliance spacing should also be considered.

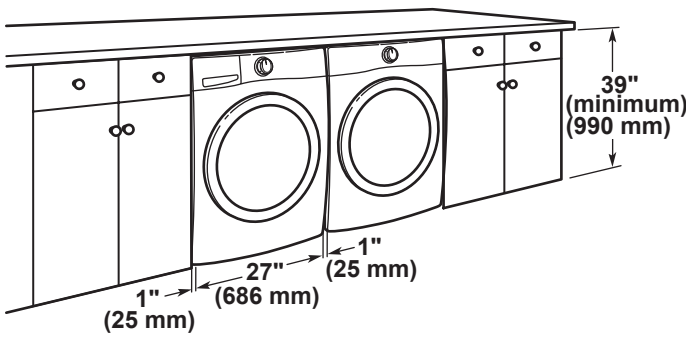
### Recommended installation clearances (dryer only):



\*Recommended/Minimum spacing



## Custom under-counter installation:



## Minimum installation clearances (dryer only):

	Front	Sides	Rear	Top
<b>Recessed</b>	NA	0" (0 mm)	0" (0 mm)	NA
<b>Closet</b>	1" (25 mm)	0" (0 mm)	0" (0 mm)	NA
<b>Under Counter</b>	NA	1" (25 mm)	0" (0 mm)	0" (0 mm)

0" (0 mm) rear spacing is allowed for straight-back venting only.

For steam models only, inlet hose must not be kinked.

## Mobile Home – Additional installation requirements

This dryer is suitable for mobile home installations. The installation must conform to the Manufactured Home Construction and Safety Standard, Title 24 CFR, Part 3280 (formerly the Federal Standard for Mobile Home Construction and Safety, Title 24, HUD Part 280) or the Standard for Mobile Homes, CAN/CSA-Z240 MH.

### Mobile home installations require:

- Metal exhaust system hardware, which is available for purchase from your dealer.
- Special provisions must be made in mobile homes to introduce outside air into the dryer. The opening (such as a nearby window) should be at least twice as large as the dryer exhaust opening.

## Electrical Requirements – U.S.A.

### It is your responsibility:

- To contact a qualified electrical installer.
- To be sure that the electrical connection is adequate and in conformance with the National Electrical Code, ANSI/NFPA 70 – latest edition and all local codes and ordinances. The National Electrical Code requires a 4-wire power supply connection for homes built after 1996, dryer circuits involved in remodeling after 1996, and all mobile home installations. A copy of the above code standards can be obtained from: National Fire Protection Association, One Batterymarch Park, Quincy, MA 02169-7471.
- To supply the required 3- or 4-wire, single-phase, 120/240 V, 60 Hz, AC only electrical supply (or 3- or 4-wire, 120/208 V electrical supply, if specified on the serial/rating plate) on a separate 30 A circuit, fused on both sides of the line. Connect to an individual branch circuit. Do not have a fuse in the neutral or grounding circuit.
- Do not use an extension cord.
- If codes permit and a separate ground wire is used, it is recommended that a qualified electrician determine that the ground path is adequate.

## Electrical Connection

To properly install your dryer, you must determine the type of electrical connection you will be using and follow the instructions provided for it here.

- This dryer is manufactured ready to install with a 3-wire electrical supply connection. The neutral bond conductor is permanently connected to the neutral conductor (white wire) within the dryer. If the local electrical codes require the use of a ground-fault circuit interrupter, then a 4 wire electrical supply connection is required. The neutral bond conductor must be removed from the external ground connector (green screw), and secured under the neutral terminal (center or white wire) of the terminal block. When the neutral bond conductor is secured under the neutral terminal (center or white wire) of the terminal block, the dryer cabinet is isolated from the neutral conductor. The green ground wire of the 4-wire power cord must be secured to the dryer cabinet with the green ground screw.
- If local codes do not permit the connection of a neutral bond wire to the neutral wire, see "Optional 3-Wire Connection."
- A 4-wire power supply connection must be used when the appliance is installed in a location where grounding through the neutral conductor is prohibited. Grounding through the neutral conductor is prohibited for (1) new branch-circuit installations, (2) mobile homes, (3) recreational vehicles, and (4) areas where local codes prohibit grounding through the neutral conductors.

## If using a power supply cord:

Use a UL listed power supply cord kit marked for use with clothes dryers. The kit should contain:

- A UL listed 30 A power supply cord, rated 120/240 V minimum. The cord should be type SRD or SRDT and be at least 4 ft (1.22 m) long. The wires that connect to the dryer must end in ring terminals or spade terminals with upturned ends.
- A UL listed strain relief.

### If your outlet looks like this:



4-wire receptacle  
(14-30R)

Then choose a 4-wire power supply cord with ring or spade terminals and UL listed strain relief. The 4-wire power supply cord, at least 4 ft (1.22 m) long, must have four 10-gauge copper wires and match a 4-wire receptacle of NEMA Type 14-30 R. The ground wire (ground conductor) may be either green or bare. The neutral conductor must be identified by a white cover.

### If your outlet looks like this:



3-wire receptacle  
(10-30R)

Then choose a 3-wire power supply cord with ring or spade terminals and UL listed strain relief. The 3-wire power supply cord, at least 4 ft (1.22 m) long, must have three 10-gauge copper wires and match a 3-wire receptacle of NEMA Type 10-30R.

## If connecting by direct wire:

Power supply cable must match power supply (4-wire or 3-wire) and be:

- Flexible armored cable or nonmetallic sheathed copper cable (with ground wire), covered with flexible metallic conduit. All current-carrying wires must be insulated.
- 10-gauge solid copper wire (do not use aluminum) at least 5 ft (1.52 m) long.

## GROUNDING INSTRUCTIONS

### For a grounded, cord-connected appliance:

This appliance must be grounded. In the event of a malfunction or breakdown, grounding will reduce the risk of electric shock by providing a path of least resistance for electric current. This appliance is equipped with a cord having an equipment-grounding conductor and a grounding plug. The plug must be plugged into an appropriate outlet that is properly installed and grounded in accordance with all local codes and ordinances.

**WARNING:** Improper connection of the equipment-grounding conductor can result in a risk of electric shock. Check with a qualified electrician or serviceman if you are in doubt as to whether the appliance is properly grounded. Do not modify the plug provided with the appliance: If it will not fit the outlet, have a proper outlet installed by a qualified electrician.

### For a permanently connected appliance:

This appliance must be connected to a grounded metal, permanent wiring system, or an equipment-grounding conductor must be run with the circuit conductors and connected to the equipment-grounding terminal or lead on the appliance.

**SAVE THESE INSTRUCTIONS**

- If codes permit and a separate ground wire is used, it is recommended that a qualified electrician determine that the ground path is adequate.
- Do not use an extension cord.  
For further information, or to obtain a Power Supply Cord Replacement, please reference the contact information listed on your Quick Start Guide.

## GROUNDING INSTRUCTIONS

### For a grounded, cord-connected appliance:

This appliance must be grounded. In the event of a malfunction or breakdown, grounding will reduce the risk of electric shock by providing a path of least resistance for electric current. This appliance is equipped with a cord having an equipment-grounding conductor and a grounding plug. The plug must be plugged into an appropriate outlet that is properly installed and grounded in accordance with all local codes and ordinances.

**WARNING:** Improper connection of the equipment-grounding conductor can result in a risk of electric shock. Check with a qualified electrician or serviceman if you are in doubt as to whether the appliance is properly grounded. Do not modify the plug provided with the appliance: if it will not fit the outlet, have a proper outlet installed by a qualified electrician.

**SAVE THESE INSTRUCTIONS**

## Electrical Requirements – Canada

### ⚠ WARNING



#### Electrical Shock Hazard

**Plug into a grounded 4 prong outlet.**

**Failure to do so can result in death or electrical shock.**

### It is your responsibility:

- To contact a qualified electrical installer.
- To be sure that the electrical connection is adequate and in conformance with Canadian Electrical Code, C22.1 – latest edition and all local codes. A copy of above codes standard may be obtained from: Canadian Standards Association, 178 Rexdale Blvd., Toronto, ON M9W 1R3 CANADA.
- To supply the required 4-wire, single-phase, 120/240 V, 60 Hz, AC-only electrical supply on a separate 30 A circuit, fused on both sides of the line. A time-delay fuse or circuit breaker is recommended. Connect to an individual branch circuit.
- This dryer is equipped with a UL listed and/or CSA International Certified Power Cord intended to be plugged into a standard 14-30R wall receptacle. The cord is 5 ft (1.52 m) long. Be sure wall receptacle is within reach of dryer's final location.



4-wire receptacle  
(14-30R)

# INSTALLATION INSTRUCTIONS

## Install Leveling Legs

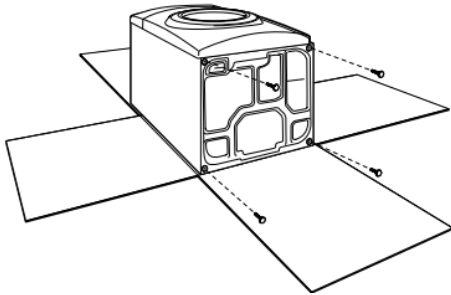
### **⚠WARNING**

#### Excessive Weight Hazard

Use two or more people to move and install or uninstall appliance.

Failure to do so can result in back or other injury.

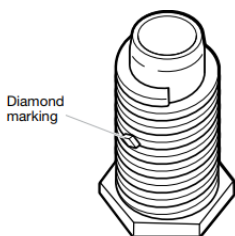
### 1. Prepare dryer for leveling legs



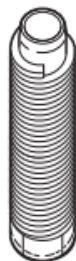
To avoid damaging floor, use a large flat piece of cardboard from dryer carton; place under entire back edge of dryer. Firmly grasp dryer body (not console panel) and gently lay dryer down on cardboard.

**NOTE:** Residual water from factory testing may drain when dryer is laying on its side.

### 2. Screw in leveling legs



Leveling leg with diamond marking.



Leveling leg without diamond marking

Using a wrench and tape measure, screw leveling legs into leg holes until bottom of foot is approximately 1/2" (13 mm) to 1 1/2" (38 mm) from bottom of the dryer.

#### **For leveling legs with the diamond marking:**

Screw legs into leg holes by hand. Use a wrench to finish turning legs until diamond marking is no longer visible.

Place a carton corner post from dryer packaging under each of the two dryer back corners. Stand the dryer up. Slide the dryer on the corner posts until it is close to its final location. Leave enough room to connect the exhaust vent.

## Electrical Installation – U.S.A.

### **⚠WARNING**



#### Fire Hazard

For power supply cord, use a new UL listed 30 A power supply cord.

For direct wire, use 10 gauge copper wire.

Use a UL listed strain relief.

Disconnect power before making electrical connections.

Connect neutral wire (white or center wire) to center terminal (silver).

Connect ground wire (green or bare wire) to green ground connector.

Connect remaining 2 supply wires to remaining 2 terminals (gold).

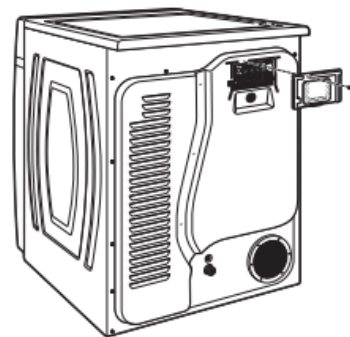
Securely tighten all electrical connections.

Failure to do so can result in death, fire, or electrical shock.

### 1. Disconnect power

### 2. Remove terminal block cover

**NOTE:** Your terminal block cover may be in a different location.



Remove hold-down screw and terminal block cover.

### 3. Choose electrical connection type



**Power supply cord 4-wire receptacle (NEMA Type 14-30R):** Refer to “4-Wire Power Supply Connection”. Then, go to “Venting Requirements.”



**Power supply cord 3-wire receptacle (NEMA Type 10-30R):** Refer to “3-Wire Power Supply Connection”. Then, go to “Venting Requirements.”



**4-wire direct connection:** Go to “Direct Wire Strain Relief,” then “4-Wire Direct Wire Connection,” then, go to “Venting Requirements.”



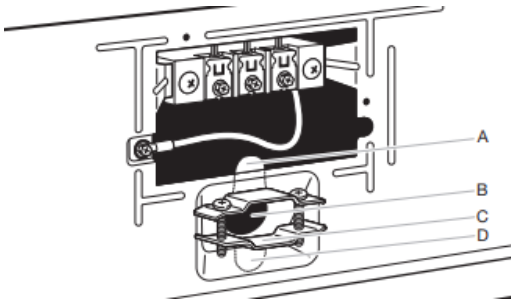
**3-wire direct connection:** Go to “Direct Wire Strain Relief,” then “3-Wire Direct Wire Connection,” then, go to “Venting Requirements.”

**NOTE:** If local codes do not permit connection of a cabinet-ground conductor to neutral wire, go to “Optional 3-wire Connection.” This connection may be used with either a power supply cord or a direct wire connection.

## Power Supply Cord Connection

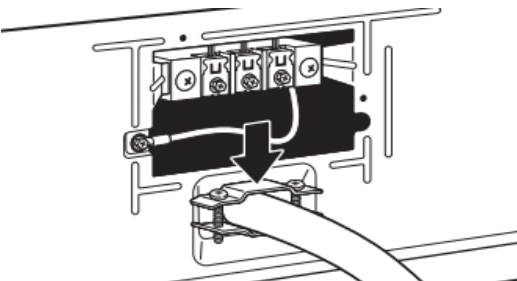
### Power Supply Cord Strain Relief

#### 1. Attach power supply cord strain relief



Remove the screws from a 3/4" (19 mm) UL listed strain relief (UL marking on strain relief). Put the tabs of the two clamp sections (C) into the hole below the terminal block opening (B) so that one tab is pointing up (A) and the other is pointing down (D), and hold in place. Tighten strain relief screws just enough to hold the two clamp sections (C) together.

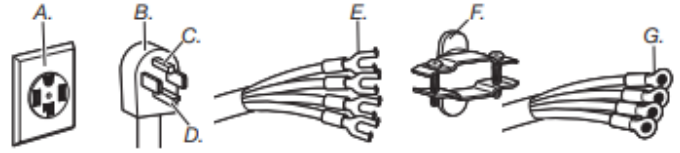
#### 2. Attach power supply cord to strain relief



Put power supply cord through the strain relief. Be sure that the wire insulation on the power supply cord is inside the strain relief. The strain relief should have a tight fit with the dryer cabinet and be in a horizontal position. Tighten the strain relief against the power supply cord. Do not overtighten the strain relief screws.

## 4-Wire Power Supply Connection

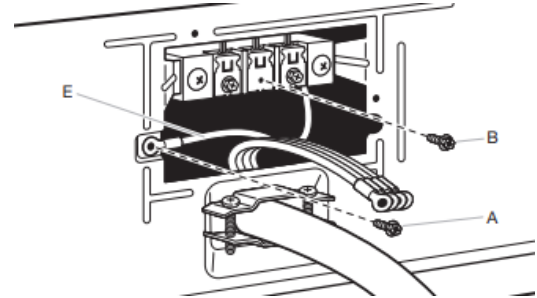
**IMPORTANT:** A 4-wire connection is required for mobile homes and where local codes do not permit the use of 3-wire connections.



A. 4-wire receptacle (NEMA type 14-30R)  
B. 4-prong plug  
C. Ground prong  
D. Neutral prong

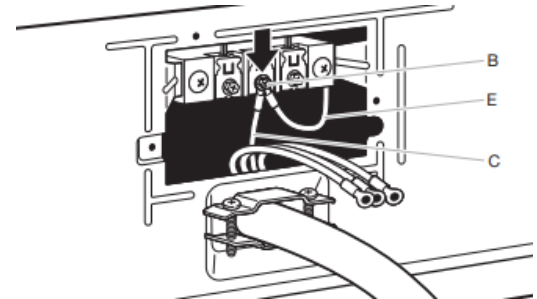
E. Spade terminals with upturned ends  
F. 3/4" (19 mm) UL-listed strain relief  
G. Ring terminals

### 3. Prepare ground wire appliance installation



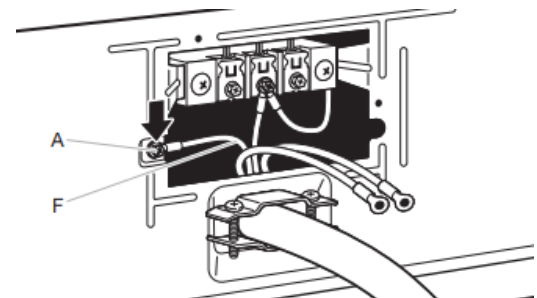
Remove center terminal block screw (B). Remove neutral bond wire (E) from green external ground conductor screw (A).

### 4. Connect neutral bond wire and neutral wire



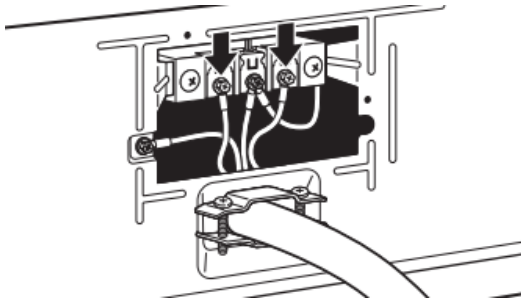
Connect neutral bond wire (E) and neutral wire (white or center) (C) of power supply cord under center terminal block screw (B). Tighten screw.

### 5. Connect ground wire



Connect ground wire (F) (green or bare) of power supply cord under green external ground conductor screw (A). Tighten screw.

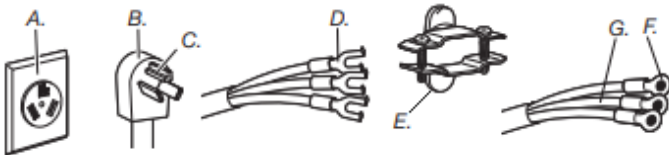
## 6. Connect remaining wires



Connect remaining wires under outer terminal block screws. Tighten screws. Insert tab of terminal block cover into slot of dryer rear panel. Secure cover with hold-down screw. Now, go to "Venting Requirements."

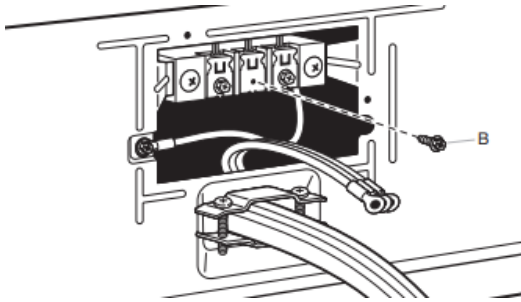
### 3-Wire Power Supply Connection

**IMPORTANT:** Use where local codes permit connecting cabinet-ground conductor to neutral wire.



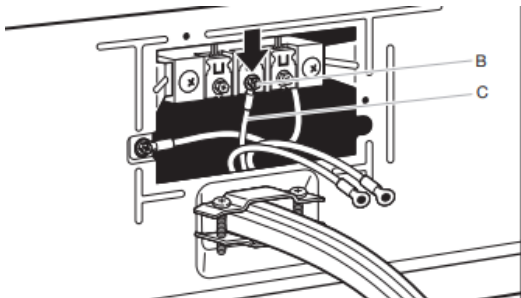
- A. 3-wire receptacle (NEMA type 10-30R)
- B. 3-wire plug
- C. Neutral prong
- D. Spade terminals with upturned ends
- E. 3/4" (19 mm) UL-listed strain relief
- F. Ring terminals
- G. Neutral (white or center wire)

## 3. Remove center screw



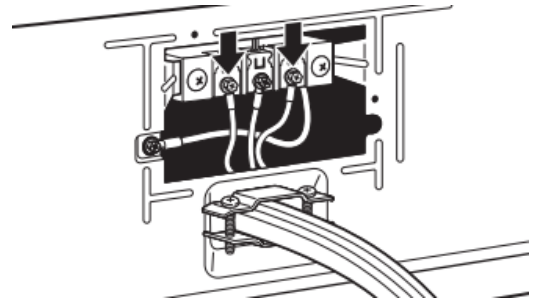
Remove center terminal block screw (B).

## 4. Connect neutral wire



Connect neutral wire (white or center) (C) of power supply cord under center terminal block screw (B). Tighten screw.

## 5. Connect remaining wires

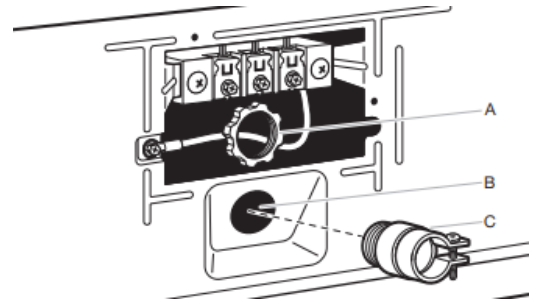


Connect remaining wires under outer terminal block screws. Tighten screws. Insert tab of terminal block cover into slot of dryer rear panel. Secure cover with hold-down screw. Now, go to "Venting Requirements."

### Direct Wire Connection

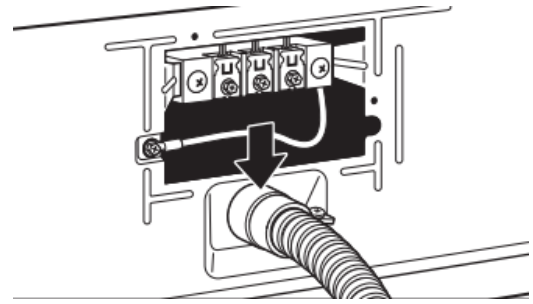
#### Direct wire strain relief

##### 1. Attach direct wire strain relief



Unscrew the removable conduit connector (A) and any screws from a 3/4" (19 mm) UL listed strain relief (UL marking on strain relief). Put the threaded section of the strain relief through the hole below the terminal block opening (B). Reaching inside the terminal block opening, screw the removable conduit connector (A) onto the strain relief threads (C) and tighten securely.

##### 2. Attach direct wire cable to strain relief



Put direct wire cable through the strain relief. The strain relief should have a tight fit with the dryer cabinet and be in a horizontal position. Tighten strain relief screw against the direct wire cable.

**For 4-wire Direct Wire Connection, continue to step 3.**



4-wire direct wire connection: Go to "4-Wire Direct Wire Connection."

**For 3-wire Direct Wire Connection, continue to step 3.**

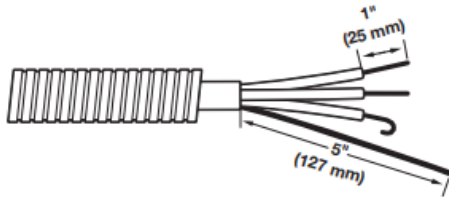


3-wire direct wire connection: Go to "3-Wire Direct Wire Connection."

## 4-Wire Direct Wire Connection

**IMPORTANT:** A 4-wire connection is required for mobile homes and where local codes do not permit 3-wire connections.

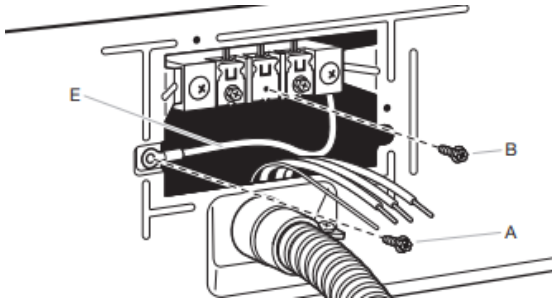
### 3. Prepare your 4-wire cable for direct connection



Direct wire cable must have 5 ft (1.52 m) of extra length so dryer may be moved if needed.

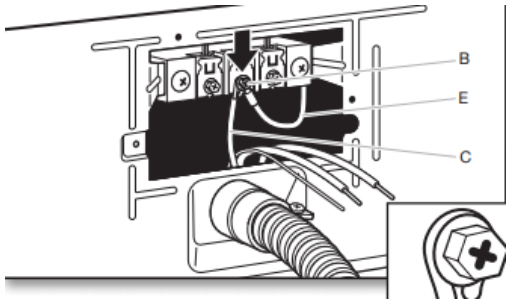
Strip 5" (127 mm) of outer covering from end of cable, leaving bare ground wire at 5" (127 mm). Cut 1½" (38 mm) from remaining 3 wires. Strip insulation back 1" (25 mm). Shape ends of wires into hooks.

### 4. Prepare to connect neutral bond wire and neutral wire



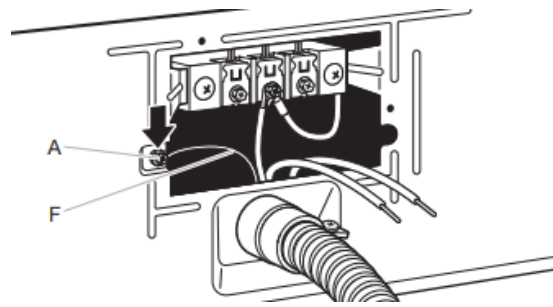
Remove center terminal block screw (B). Remove neutral bond wire (E) from green external bond conductor screw (A).

### 5. Connect neutral bond wire and neutral wire



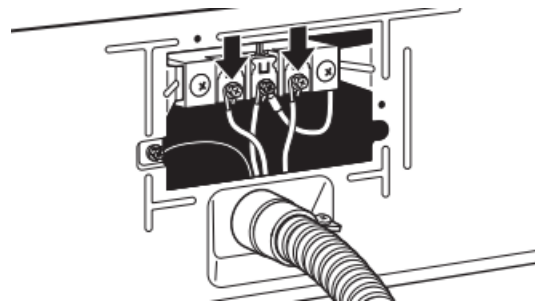
Connect neutral bond wire (E) and place hooked end (hook facing right) of neutral wire (white or center wire) (C) of direct wire cable under center screw of terminal block (B). Squeeze hooked ends together and tighten screw.

### 6. Connect ground wire



Connect ground wire (green or bare) (F) of direct wire cable under green external ground conductor screw (A). Tighten screw.

### 7. Connect remaining wires

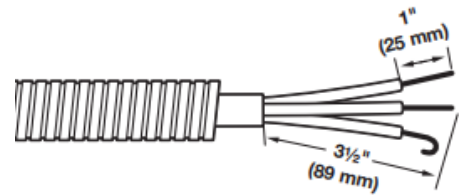


Place hooked ends of remaining direct wire cable wires under outer terminal block screws (hooks facing right). Squeeze hooked ends together and tighten screws. Insert tab of terminal block cover into slot of dryer rear panel. Secure cover with hold-down screw. Now, go to "Venting Requirements."

## 3-Wire Direct Wire Connection

**IMPORTANT:** Use where local codes permit connecting cabinet-ground conductor to neutral wire.

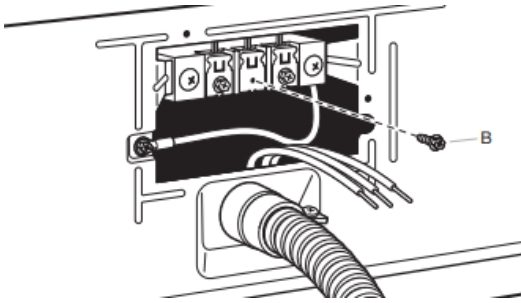
### 3. Prepare your 3-wire cable for direct connection



Direct wire cable must have 5 ft (1.52 m) of extra length so dryer may be moved if needed.

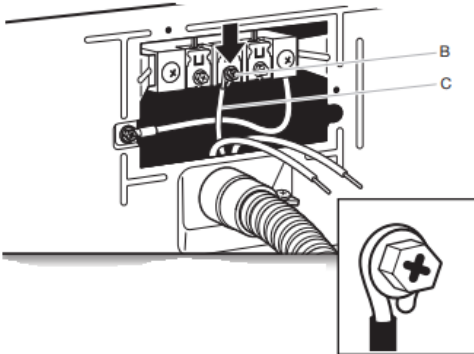
Strip 3½" (89 mm) of outer covering from end of cable. Strip insulation back 1" (25 mm). If using 3-wire cable with ground wire, cut bare wire even with outer covering. Shape wire ends into hooks.

#### 4. Remove center screw



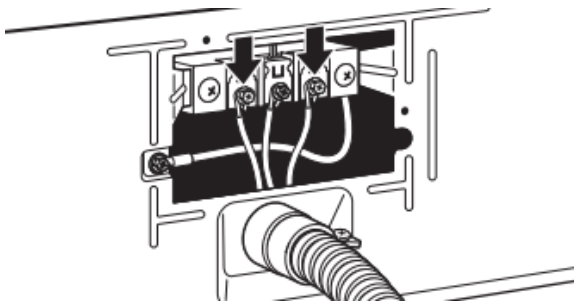
Remove center terminal block screw (B).

#### 5. Connect neutral wire



Place hooked end of neutral wire (white or center) (C) of direct wire cable under center terminal block screw (B). Squeeze hooked end together. Tighten screw.

#### 6. Connect remaining wires

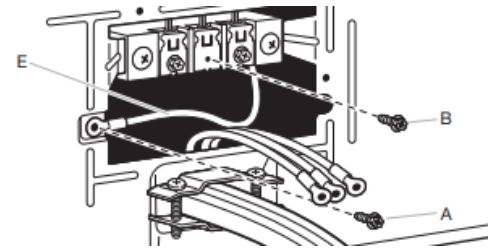


Place hooked ends of remaining direct wire cable wires under outer terminal block screws (hooks facing right). Squeeze hooked ends together and tighten screws. Insert tab of terminal block cover into slot of dryer rear panel. Secure cover with hold-down screw. Now, go to "Venting Requirements."

#### Optional 3-Wire Connection (Power Supply Cord Shown)

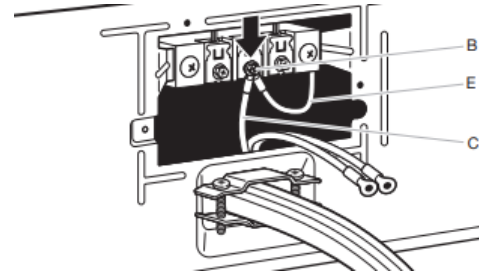
**IMPORTANT:** You must verify with a qualified electrician that this grounding method is acceptable before connecting.

#### 1. Prepare to connect neutral bond wire and neutral wire



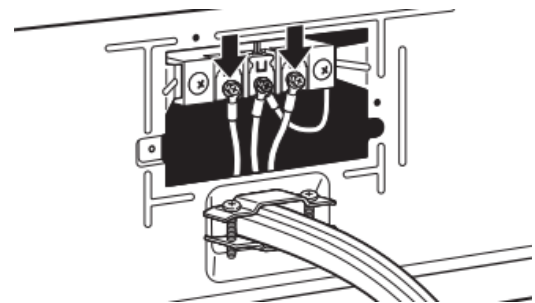
Install the correct strain relief for your electrical connection method. Remove center terminal block screw (B). Remove neutral bond wire (E) from green external ground conductor screw (A).

#### 2. Connect neutral bond wire and neutral wire



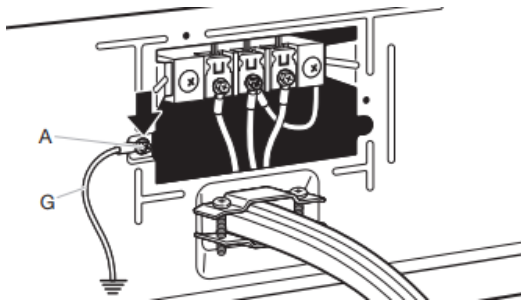
Connect neutral bond wire (E) and neutral wire (white or center wire) (C) of power supply cord or cable under center terminal block screw (B). Tighten screw.

#### 3. Connect remaining wires



Place remaining wires under outer terminal block screws. Tighten screws.


#### 4. Connect external ground wire



Connect a separate copper ground wire (G) from the green external ground conductor screw (A) to an adequate ground. Insert tab of terminal block cover into slot of dryer rear panel. Secure cover with hold-down screw. Now, go to "Venting Requirements."

### Home Venting Requirements

⚠ WARNING



**Fire Hazard**

**Use a heavy metal vent.**

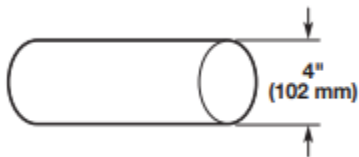
**Do not use a plastic vent.**

**Do not use a metal foil vent.**

**Failure to follow these instructions can result in death or fire.**

**WARNING:** To reduce the risk of fire, this dryer **MUST BE EXHAUSTED OUTDOORS.**

**IMPORTANT:** Observe all governing codes and ordinances. Dryer exhaust must not be connected to any gas vent, chimney, wall, ceiling, attic, crawlspace, or a concealed space of a building. Only rigid or flexible metal vent shall be used for exhausting.



- Only a 4" (102 mm) heavy metal exhaust vent and clamps may be used.
- Do not use plastic or metal foil vent.

#### Rigid metal vent:

- Recommended for best drying performance and to avoid crushing and kinking.

#### Flexible metal vent (acceptable only if accessible to clean):

- Must be fully extended and supported in final dryer location.
- Remove excess to avoid sagging and kinking that may result in reduced airflow and poor performance.
- Do not install in enclosed walls, ceilings, or floors.
- The total length should not exceed 7<sup>3</sup>/<sub>4</sub> ft (2.4 m).
- The length of flexible metal vent used must be included in the overall vent system design as shown in the "Vent System Chart."

#### Home Venting System:

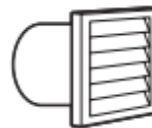
- If using an existing home vent system, clean lint from the entire length of the system before installing the dryer.
- Make sure external exhaust hoods outside of the home is not plugged with lint or other outside debris.
- Replace plastic or metal foil vents with rigid metal or flexible metal vents. Review "Vent System Chart" and, if necessary, modify existing home vent system to achieve best drying performance.

#### Exhaust hoods:

- An exhaust hood should cap the vent to keep rodents and insects from entering the home.
- Must be at least 12" (305 mm) from ground or any object that may obstruct exhaust (such as flowers, rocks, bushes, or snow).
- Do not use an exhaust hood with a magnetic latch.

#### Recommended Styles:

#### Acceptable Style:



Louvered Hood



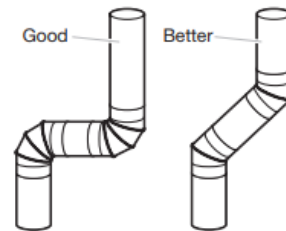
Box Hood



Angled Hood

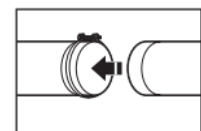
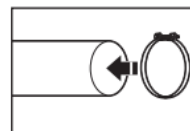
#### Elbows:

- 45° elbows provide better airflow than 90° elbows.



#### Clamps:

- Use clamps to seal all joints.
- Exhaust vent must not be connected or secured with screws or other fastening devices that extend into interior of duct and catch lint. Do not use duct tape.



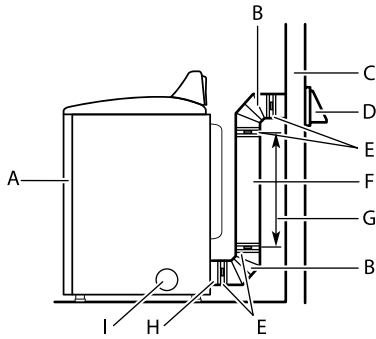
Vent products can be purchased from your dealer. For contact and ordering information, refer to your Quick Start Guide.



# Plan Vent System

## Recommended exhaust installations:

Typical installations vent the dryer from the rear of the dryer. Other installations are possible.



- A. Dryer
- B. Elbow
- C. Wall
- D. Exhaust hood
- E. Clamps
- F. Rigid metal or flexible metal vent
- G. Vent length necessary to connect elbows
- H. Exhaust outlet
- I. Optional side exhaust outlet

## Optional exhaust installations:

⚠ WARNING

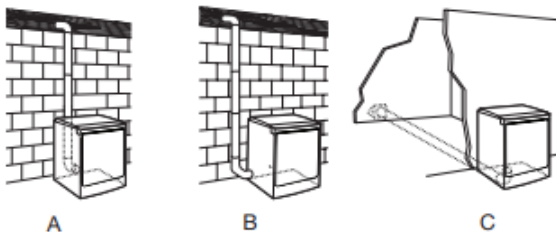
Fire Hazard

Cover unused exhaust holes with a manufacturer's exhaust cover kit.

Contact your local dealer.

Failure to follow these instructions can result in death, fire, electrical shock, or serious injury.

Some models can be converted to exhaust out the right side, left side, or through the bottom. If you prefer, you may contact your local dealer to have the dryer converted.

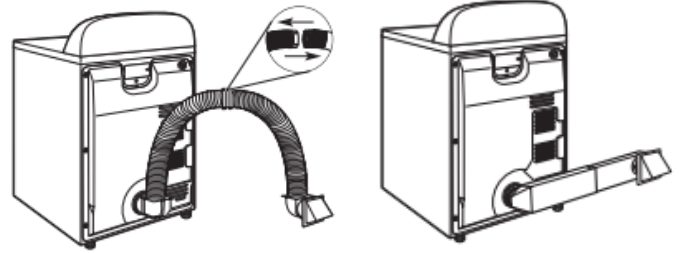


- A. Standard rear offset exhaust installation
- B. Left- or right-side exhaust installation (available only on select 27"-wide models).
- C. Bottom exhaust installation (available only on select 27"-wide models).

## Alternate installations for close clearances

Venting systems come in many varieties. Select the type best for your installation. Two close-clearance installations are shown.

**NOTE:** The following kits for close-clearance alternate installations are available for purchase. Refer to Quick Start Guide for contact information.



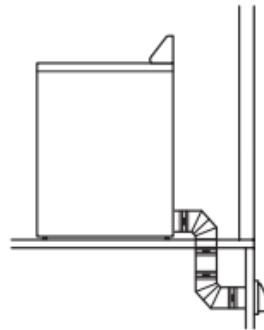
Over-The-Top installation (also available with one offset elbow)

Periscope installation

## Special provisions for mobile home installations:

Exhaust vent must be securely fastened to a noncombustible portion of the mobile home and must not terminate beneath the mobile home. Terminate exhaust vent outside.

### Determine vent path:



- Select route that will provide straightest and most direct path outdoors.
- Plan installation to use fewest number of elbows and turns.
- When using elbows or making turns, allow as much room as possible.
- Bend vent gradually to avoid kinking.
- Use as few 90° turns as possible.

## Determine vent length and elbows needed for best drying performance:

■ Use following "Vent System Chart" to determine type of vent material and hood combinations acceptable to use.

**NOTE:** Do not use vent runs longer than those specified in "Vent System Chart." Exhaust systems longer than those specified will:

- Shorten life of dryer.
- Reduce performance, resulting in longer drying times and increased energy usage.

The "Vent System Chart" provides venting requirements that will help achieve best drying performance.

Vent System Chart		
Number of 90° turns or elbows	Type of vent	Box/louvered or Angled hoods
0	Rigid metal	64 ft (20 m)
1	Rigid metal	54 ft (16.5 m)
2	Rigid metal	44 ft (13.4 m)
3	Rigid metal	35 ft (10.7 m)
4	Rigid metal	27 ft (8.2 m)

**NOTE:** Side and bottom exhaust installations have a 90° turn inside the dryer. To determine maximum exhaust length, add one 90° turn to the chart.

Vent System Chart (Long Vent Models)		
Number of 90° turns or elbows	Type of vent	Box/louvered or Angled hoods
0	Rigid metal	160 ft (48.8 m)
1	Rigid metal	150 ft (45.7 m)
2	Rigid metal	140 ft (42.7 m)
3	Rigid metal	130 ft (39.6 m)
4	Rigid metal	120 ft (36.6 m)
5	Rigid metal	110 ft (33.5 m)

To determine if your model has a long vent system, refer to the type code located on the serial number plate in the inner door well. Example: A Long Vent Model would be BJAV-NAT-XXXXXXXX-XXX or BWFB-NAT-XXXXXXXX-XXX.

**NOTE:** For long vent systems, use of box/louvered hoods will improve venting regardless of length.

### Additional Elbows

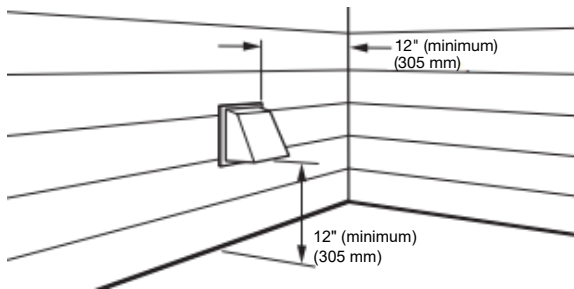
In cases in which the Installation Instructions do not address the vent length for the specific number of elbows required for a particular application, the following calculations may be used. (The total vent system length includes all straight and curved portions of the vent system):

- For 90° elbows, reduce the allowable vent system length by 10 ft (3.05 m).
- For 45° elbows, reduce the allowable vent system length by 6 ft (1.83 m).

For example, if the Installation Instructions state that a dryer is allowed 40 ft (12.2 m) of total vent length with two 90° bends, the total allowable vent length would be reduced by 20 ft (6.0 m) (from 40 ft [12.2 m] to 20 ft [6.0m]).

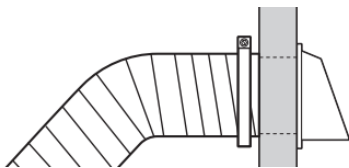
## Install Vent System

### 1. Install exhaust hood



Install exhaust hood and use caulking compound to seal exterior wall opening around exhaust hood.

### 2. Connect vent to exhaust hood



Vent must fit over the exhaust hood. Secure vent to exhaust hood with 4" (102 mm) clamp. Run vent to dryer location using straightest path possible. Avoid 90° turns. Use clamps to seal all joints. Do not use duct tape, screws, or other fastening devices that extend into interior of vent to secure vent, because they can catch lint.

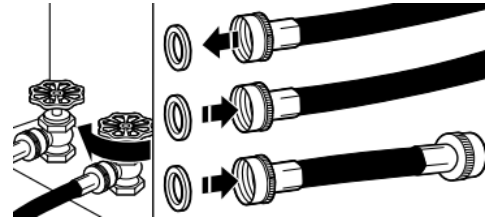
## Connect Inlet Hoses

For vented, non-steam models, skip to "Connect Vent." The dryer must be connected to the cold water faucet using the new inlet hoses. Do not use old hoses.

**NOTE:** Replace inlet hoses after 5 years of use to reduce the risk of hose failure. Record hose installation or replacement dates on the hoses for future reference.

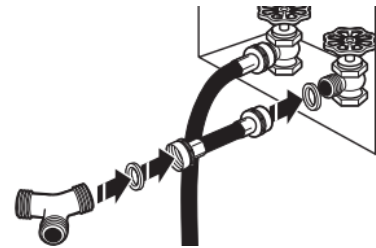
Periodically inspect and replace hoses if bulges, kinks, cuts, wear, or leaks are found.

### 1. Turn cold water off, remove and replace rubber washer



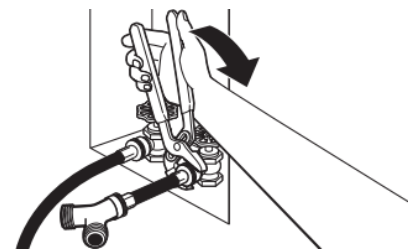
Turn cold water faucet off and remove washer inlet hose. Remove old rubber washer from inlet hose and replace with new rubber washer.

### 2. Attach short hose and "Y" connector



Attach 2 ft (0.6 m) inlet hose to cold water faucet. Screw on coupling by hand until it is seated on faucet. Then attach "Y" connector to male end of the 2 ft (0.6 m) inlet hose. Screw on coupling by hand until it is seated on connector.

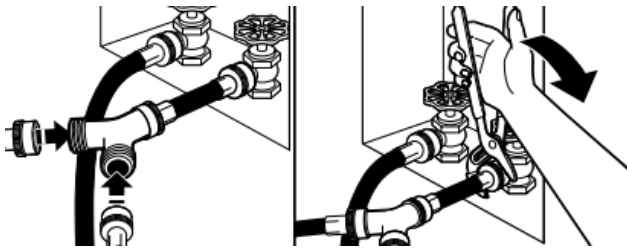
### 3. Tighten couplings



Using pliers, tighten the couplings with additional two-thirds turn.

**NOTE:** Do not overtighten. Damage to the coupling can result.

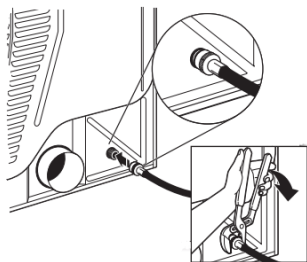
**4. Attach long hose to “Y” connector and tighten couplings**



Attach one of the 5 ft (1.5 m) inlet hose ends to the “Y” connector. Attach washer cold inlet hose to other side of “Y” connector. Screw on coupling by hand until it is seated on connector. Using pliers, tighten the couplings an additional two-thirds turn.

**NOTE:** Do not overtighten. Damage to the coupling can result.

**5. Attach long hose to dryer fill valve and tighten coupling**

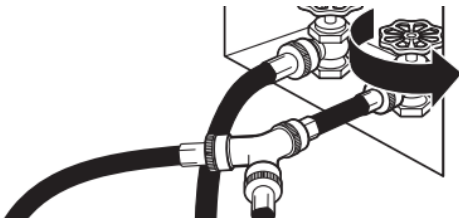


If applicable, remove protective cap from water inlet valve. Attach other end of long hose to fill valve on dryer back panel. Screw on coupling by hand until it is seated on fill valve connector. Using pliers, tighten the couplings an additional two-thirds turn.

**NOTE:** Do not overtighten. Damage to the coupling can result.

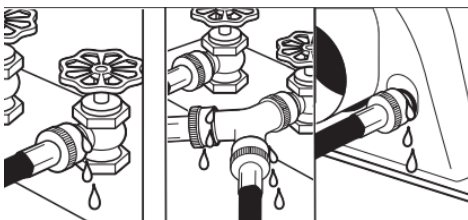
**NOTE:** The Steam Dryer water connection may be in a different location.

**6. Turn on cold water faucet**



Check that the water faucet is turned on.

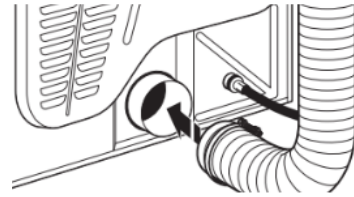
**7. Check for leaks**



Check for leaks around “Y” connector, faucets, and hoses.

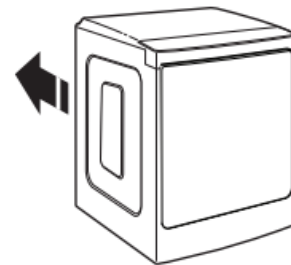
**Connect Vent (Vented Models Only)**

**1. Connect vent to exhaust outlet**



Using a 4" (102 mm) clamp, connect vent to exhaust outlet in dryer. If connecting to existing vent, make sure vent is clean. Dryer vent must fit over dryer exhaust outlet and inside exhaust hood. Check that vent is secured to exhaust hood with a 4" (102 mm) clamp.

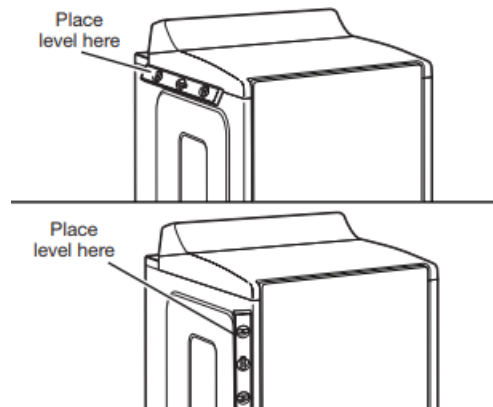
**2. Move dryer to final location**



Move dryer to final location. Avoid crushing or kinking the vent. After dryer is in place, remove corner posts and cardboard from under dryer.

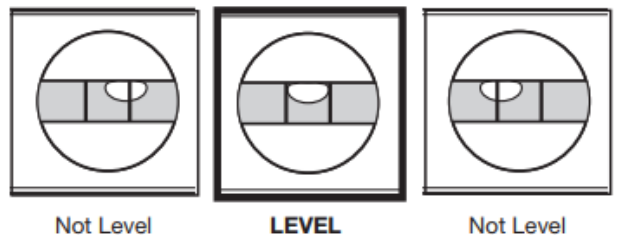
**Level Dryer**

**1. Level Dryer**

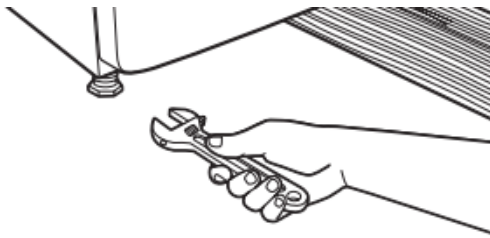


Check levelness of dryer from side to side. Repeat from front to back.

**NOTE:** The dryer must be level for the moisture-sensing system to operate correctly.



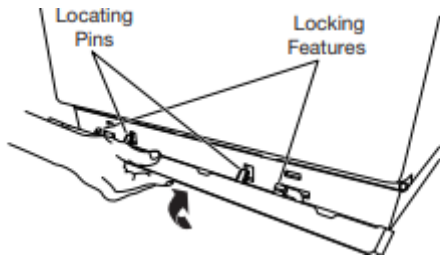
## 2. Adjust leveling legs



If dryer is not level, prop up using a wood block. Use wrench to adjust legs up or down, and check again for levelness.

Once dryer is level, make sure all four legs are snug against the floor and the dryer does not rock.

## 3. Install and remove base trim (on some models)



To Install: Place the skirt to bottom of dryer and match the locating pins with the holes. Press the skirt firmly upwards until it snaps into place.

To Remove: On each corner, push down on top of base trim. Rotate away from dryer and remove.

## Complete Installation Checklist

- Check that all parts are now installed. If there is an extra part, go back through steps to see what was skipped.
  - Check that you have all of your tools.
  - Dispose of/recycle all packaging materials.
  - Be sure the water faucets are on.
  - Check for leaks around “Y” connector, faucet, and hoses.
  - Check dryer’s final location. Be sure vent is not crushed or kinked.
  - Check that dryer is level. See “Level Dryer.”
  - Remove film on console and any tape remaining on dryer.
  - Wipe dryer drum interior thoroughly with a damp cloth to remove any dust.
  - For power supply cord installation, plug into a grounded outlet. For direct wire installation, turn on power.
  - If you live in a hard water area, use of a water softener is recommended to control the buildup of scale through the water system in the dryer. Over time, the buildup of lime scale may clog different parts of the water system, which will reduce product performance. Excessive scale buildup may lead to the need for certain part replacement or repair.
  - To change the door swing from a right-side opening to a left-side opening, see online “Dryer Door Reversal Instructions” for details.
  - Set the heat cycle for 20 minutes, and start dryer. Do not select Air Only temperature setting.  
**If the dryer will not start, check the following:**
    - Controls are set in a running or “On” position.
    - Start button has been pushed firmly.
    - Dryer is plugged into an outlet and/or electrical supply.
    - Household fuse is intact and tight, or circuit breaker has not tripped.
    - Dryer door is closed.
  - When the dryer has been running for 5 minutes, open the dryer door and feel for heat. If you feel heat, cancel cycle and close the door.  
**If you do not feel heat, turn off dryer, and check the following:**
    - There may be 2 household fuses or circuit breakers for the dryer. Check that both fuses are intact and tight, or that both circuit breakers have not tripped. If there is still no heat, contact a qualified technician.
- NOTE:** You may notice an odor when dryer is first heated. This odor is common when heating element is first used. The odor will go away.
- If your Airflow screen reads “Check Vent,” your dryer vent may be crushed or blocked.

# SÉCURITÉ DE LA SÈCHEUSE

## Votre sécurité et celle des autres sont très importantes.

Nous donnons de nombreux messages de sécurité importants dans ce manuel et sur votre appareil. Assurez-vous de toujours lire tous les messages de sécurité et de vous y conformer.



Voici le symbole d'alerte de sécurité.

Ce symbole d'alerte de sécurité vous signale les dangers potentiels de décès et de blessures graves.

Tous les messages de sécurité suivront le symbole d'alerte de sécurité et le mot « DANGER » ou « AVERTISSEMENT ». Ces mots signifient :

**⚠ DANGER**

Risque possible de décès ou de blessure grave si vous ne suivez pas immédiatement les instructions.

**⚠ AVERTISSEMENT**

Risque possible de décès ou de blessure grave si vous ne suivez pas les instructions.

Tous les messages de sécurité vous diront quel est le danger potentiel, comment réduire le risque de blessure et ce qui peut se produire en cas de non-respect des instructions.



## AVERTISSEMENT — « Risque d'incendie »

- L'installation de la sècheuse à vêtements doit être effectuée par un installateur qualifié.
- Installer la sècheuse conformément aux instructions du fabricant et aux codes locaux.
- Ne pas installer la sècheuse avec des matériaux d'évacuation en plastique flexible ou un conduit métallique flexible (type aluminium). Si un conduit métallique flexible est installé, celui-ci doit être d'un type spécifique identifié par le fabricant de l'appareil et convenir à une utilisation avec les sècheuses. Les matériaux d'évacuation souples sont connus pour s'affaisser, être facilement écrasés et piéger la charpie. Ces situations obstrueront le débit d'air de la sècheuse et augmenteront le risque d'incendie.
- Pour réduire le risque de blessure grave ou de décès, suivre toutes les instructions d'installation.
- Conserver ces instructions.

## INSTRUCTIONS IMPORTANTES DE SÉCURITÉ

**AVERTISSEMENT :** Afin de réduire le risque d'incendie, de décharge électrique ou de blessures corporelles lors de l'utilisation de cet appareil, observer certaines précautions fondamentales, notamment :

- Lire toutes les instructions avant d'utiliser l'appareil.
- Ne pas sécher d'articles qui ont été précédemment nettoyés, lavés, trempés ou tachés avec de l'essence, des solvants pour nettoyage à sec ou d'autres substances inflammables ou explosives; ces substances dégagent des vapeurs qui pourraient s'enflammer ou exploser.
- Ne pas laisser des enfants jouer sur l'appareil ou à l'intérieur de celui-ci. Une surveillance étroite des enfants est nécessaire lorsque l'appareil est utilisé à proximité d'enfants.
- Avant de retirer l'appareil du service ou pour le mettre au rebut, enlever la porte du compartiment de séchage.
- Ne pas accéder à l'intérieur de l'appareil pendant le fonctionnement du tambour.
- Ne pas installer ou entreposer l'appareil dans un endroit où elle serait exposée aux intempéries.
- Ne pas effectuer d'intervention non autorisée sur les commandes.
- Ne pas réparer ou remplacer une quelconque pièce de l'appareil ou effectuer un entretien qui ne serait pas expressément recommandé dans les instructions d'entretien de l'utilisateur ou dans les instructions de réparation par l'utilisateur et s'assurer de bien comprendre ces instructions et d'être capable de les exécuter.
- Ne pas utiliser d'assouplissant ou de produits pour éliminer l'électricité statique à moins que cela ne soit recommandé par le fabricant de l'assouplissant ou du produit.
- Ne pas sécher à la chaleur des articles contenant du caoutchouc mousse ou des matières similaires.
- Nettoyer le filtre à charpie avant ou après chaque charge.
- La zone située autour de l'ouverture d'évacuation et les zones adjacentes doivent être propres, exemptes de peluches et poussières.
- L'intérieur de l'appareil et le conduit d'évacuation doivent être nettoyés régulièrement par un personnel d'entretien qualifié.
- Ne pas placer d'articles tachés d'huile de cuisson dans la sècheuse. Les articles couverts d'huile de cuisson peuvent provoquer une réaction chimique et enflammer la charge de vêtements. Pour réduire le risque d'incendie dû à des charges contaminées, la partie finale du programme de séchage par culbutage a lieu sans chaleur (période de refroidissement). Éviter d'arrêter une sècheuse en phase de culbutage avant la fin du programme de séchage, à moins de retirer et d'étendre rapidement tous les articles afin que la chaleur se dissipe.
- Ne pas utiliser de pièces de remplacement qui n'ont pas été recommandées par le fabricant (c.-à-d., pièces fabriquées à la maison à l'aide d'une imprimante 3D).
- Voir les instructions d'installation pour les exigences de mise à la terre et d'installation.
- Ne pas installer de ventilateur d'appoint dans le conduit d'évacuation.

**REMARQUE :** L'avertissement pour le ventilateur d'appoint ne s'applique pas aux sècheuses conçues pour être installées dans un système où il y a plusieurs sècheuses, avec un système d'évacuation conçue sur mesure installé selon les directives du fabricant de la sècheuse.

### CONSERVER CES INSTRUCTIONS

## INSTRUCTIONS IMPORTANTES DE SÉCURITÉ

POUR METTRE L'ANCIENNE SÈCHEUSE AUX REBUTS OU POUR LA REMISER, ENLEVER LA PORTE.

### CONSERVER CES INSTRUCTIONS

# Guide de connexion Internet pour appareils connectés seulement

**IMPORTANT :** Il est de la responsabilité de l'utilisateur de bien installer l'appareil avant de l'utiliser. Bien lire et suivre le guide d'installation qui accompagne l'appareil.

La connectabilité nécessite un réseau Wi-Fi et la création d'un compte. Les fonctions de l'application peuvent changer. Des frais de transfert de données peuvent s'appliquer. Une fois installée, lancer l'application. Suivre les étapes de configuration du compte d'utilisateur et de connexion de l'appareil.

## Il faut :

- Un routeur sans fil compatible Wi-Fi à 2,4 GHz avec sécurité WPA2. Pour vérifier les capacités du routeur, consulter le manuel d'instructions du fabricant du routeur.
- Le routeur devra être en marche et connecté à Internet.
- Le numéro SAID à 10 caractères de votre appareil. Le numéro SAID est imprimé sur une étiquette collée sur l'appareil ou peut être affiché à l'écran ACL.

## Déclaration de conformité de la Commission fédérale des communications (FCC)

Cet appareil est conforme à la norme FCC, partie 15. Le bon fonctionnement de l'appareil est fonction de deux conditions :

1. Cet appareil ne doit pas produire de brouillage dommageable et
2. cet appareil doit accepter tout brouillage radioélectrique subi, même si le brouillage est susceptible d'en compromettre le fonctionnement.

Tous changements ou toutes modifications n'ayant pas été expressément approuvés par la partie responsable de la conformité pourraient annuler l'autorité de l'utilisateur à utiliser l'appareil.

## Déclaration de conformité d'Industrie Canada (IC)

Cet appareil satisfait aux prescriptions des documents CNR/RSS d'Industrie Canada (utilisation sans licence). Le bon fonctionnement de l'appareil est fonction de deux conditions :

1. Cet appareil ne doit pas produire de brouillage.
2. Cet appareil doit être compatible avec n'importe quelle interférence, y compris des interférences causées par l'utilisation involontaire de l'appareil.

En vertu des règlements d'Industrie Canada, cet émetteur radio ne peut fonctionner qu'à l'aide d'une antenne d'un type et de gain maximum (ou moins) approuvé pour l'émetteur par Industrie Canada. Pour réduire les interférences radio potentielles pour les autres utilisateurs, le type d'antenne et son gain doivent être choisis de sorte que la puissance isotrope rayonnée équivalente (PIRE) ne dépasse pas ce qui est nécessaire pour une communication réussie.

Pour satisfaire aux exigences de la FCC et d'Industrie Canada sur l'exposition aux radiations de radiodiffusion, les antennes utilisées avec cet émetteur doivent être installées de telle sorte qu'il y ait une distance de 20 cm ou plus séparant la source de radiation (antenne) et toute personne en tout temps et ne doit pas être co-utilisée ou fonctionner en même temps qu'une autre antenne ou qu'un émetteur.

Si cet appareil cause des interférences nuisibles à la réception radio ou télévision, pouvant être déterminées par le fait d'allumer et d'éteindre l'appareil, l'utilisateur est encouragé à essayer de corriger les interférences en suivant l'un des conseils suivants :

- Réorienter ou déplacer l'antenne de réception.
- Augmenter la distance séparant l'appareil du récepteur.
- Brancher l'appareil sur un circuit différent de celui où le récepteur est branché.
- Contacter un revendeur ou un technicien radio/télévision qualifié pour obtenir de l'aide.

# ENTRETIEN ET RÉPARATION DE LA SÈCHEUSE

## Nettoyage de l'emplacement de la sècheuse

### ⚠ AVERTISSEMENT



#### Risque d'explosion

Garder les matières et les vapeurs inflammables, telles que l'essence, à l'écart de la sècheuse.

Ne pas faire sécher un article qui a déjà été touché par un produit inflammable (même après un lavage).

Placer la sècheuse au moins 18 po (460 mm) au-dessus du sol pour une installation dans un garage.

Le non-respect de ces instructions peut causer un décès, une explosion ou un incendie.

Éviter de laisser autour de la sècheuse des éléments qui pourraient obstruer la circulation de l'air et empêcher le bon fonctionnement de la sècheuse. Ceci implique de dégager également les éventuelles piles de vêtements placées devant la sècheuse.

## Nettoyage de l'intérieur de la sècheuse

### Nettoyage du tambour de la sècheuse :

- Utiliser un produit de nettoyage ininflammable ou un détergent à vaisselle doux mélangé à une faible concentration et de l'eau très chaude et frotter avec un chiffon doux.
  - Rincez soigneusement avec une éponge ou une serviette mouillée.
  - Faire culbuter une charge de vêtements ou de serviettes propres pour sécher le tambour.

OU

- Utiliser un chiffon en microfibre et de l'eau chaude dans un flacon de vaporisation pour nettoyer le tambour et une deuxième serviette en microfibre pour le séchage.

**REMARQUE :** Les vêtements contenant des teintures instables, tels les jeans en denim bleu ou articles en coton de couleur vive, peuvent décolorer l'intérieur de la sècheuse. Ces taches ne sont pas nocives pour votre sècheuse et ne tacheront pas les vêtements des charges futures. Faire sécher les articles à teinture instable sur l'envers pour éviter le transfert de la teinture.

## Retrait de la charpie accumulée

### À l'intérieur de la caisse de la sècheuse :

Il faut retirer la charpie accumulée dans le conduit d'évacuation tous les 2 ans ou plus souvent, selon l'utilisation de la sècheuse. Le nettoyage doit être effectué par un réparateur qualifié ou un nettoyeur de systèmes de ventilation.

### À l'intérieur du conduit d'évacuation :

Il faut retirer la charpie accumulée dans le conduit d'évacuation tous les 2 ans ou plus souvent, selon l'utilisation de la sècheuse.

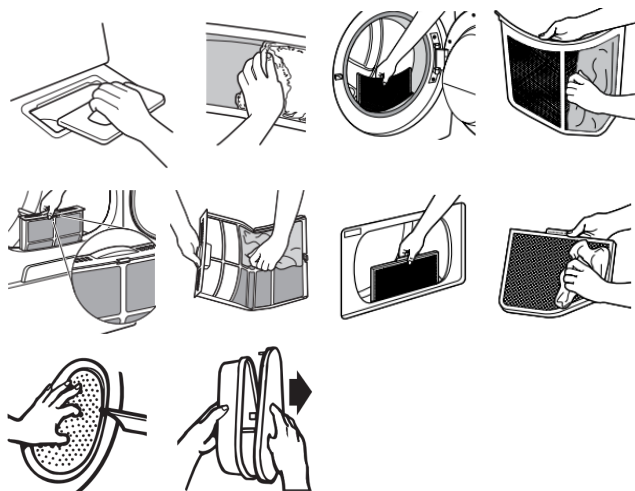
## Nettoyage du filtre à charpie

### Nettoyage avant chaque charge :

Le filtre à charpie peut être situé dans l'ouverture de la porte ou sur le dessus de la sècheuse selon le modèle. Un filtre obstrué de charpie peut augmenter la durée de séchage.

### Nettoyage :

- Retirer le filtre à charpie. Au besoin, appuyer sur l'onglet pour dégager et ouvrir le filtre à charpie. Retirer la charpie du filtre en la roulant avec les doigts. Ne pas rincer ni laver le filtre pour enlever la charpie. La charpie mouillée s'enlève difficilement.



- Bien remettre le filtre à charpie en place.

### IMPORTANT :

- Ne pas faire fonctionner la sècheuse avec un filtre à charpie déplacé, endommagé, bloqué ou manquant. Une telle action peut causer une surchauffe et des dommages à la sècheuse et aux tissus.
- Si de la charpie tombe dans la sècheuse au moment du retrait du filtre, vérifier le conduit d'évacuation et retirer la charpie. Voir la section « Exigences concernant l'évacuation » dans les Instructions d'installation.
- Au besoin, nettoyer l'espace où se trouve la charpie. À l'aide d'un aspirateur, enlever doucement toute charpie qui s'est accumulée à l'extérieur du filtre à charpie.

### Nettoyage au besoin :

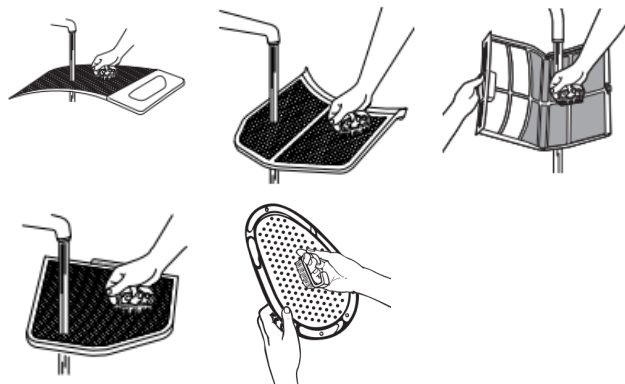
Des résidus de détergent ou d'assouplisseur de tissu peuvent s'accumuler sur le filtre à charpie. Cette accumulation peut entraîner des temps de séchage plus longs, ou l'arrêt de la sècheuse avant que la charge ne soit complètement sèche. Si de la charpie tombe du filtre alors qu'il est dans la sècheuse, il est probablement obstrué. Nettoyer le filtre à charpie avec une brosse en nylon tous les 6 mois ou plus fréquemment s'il devient obstrué par suite d'une accumulation de résidus.

### Pour laver :

- Retirer la charpie du filtre en la roulant avec les doigts.
- Mouiller les deux côtés du filtre à charpie avec de l'eau chaude.



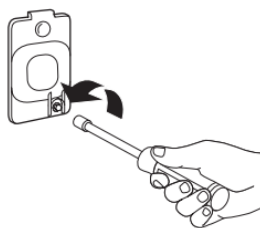
- Mouiller une brosse en nylon avec de l'eau chaude et du détergent liquide. Frotter le filtre à charpie avec la brosse pour enlever l'accumulation de résidus.



- Rincer le filtre à l'eau chaude.
- Bien sécher le filtre à charpie avec une serviette propre. Réinstaller le filtre dans la sècheuse.

## Changement de l'ampoule d'éclairage du tambour (sur certains modèles)

- Débrancher la sècheuse ou déconnecter la source de courant électrique.
- Ouvrir la porte de la sècheuse. Trouver le couvercle de l'ampoule d'éclairage sur la paroi arrière de la sècheuse. À l'aide d'un tourne-écrou de 1/4 po (6,5 mm) ou d'une clé à douille, retirer la vis située à l'angle inférieur droit du couvercle. Enlever le couvercle.



- Tourner l'ampoule dans le sens antihoraire. Remplacer l'ampoule uniquement par une ampoule de 10 W pour appareil électroménager. Réinstaller le couvercle et le fixer avec la vis.
- Brancher la sècheuse ou reconnecter la source de courant électrique.

## Vérification d'une circulation d'air adéquate pour le système d'évacuation

### ⚠ AVERTISSEMENT



#### Risque d'incendie

- Utiliser un conduit d'évacuation en métal lourd.
- Ne pas utiliser de conduit d'évacuation en plastique.
- Ne pas utiliser de conduit d'évacuation en aluminium.
- Le non-respect de ces instructions peut causer un décès ou un incendie.

### Bonne circulation d'air

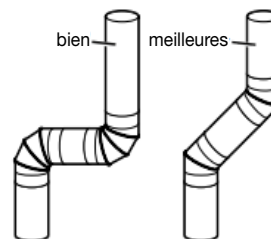
Une sècheuse a besoin de chaleur et d'une circulation d'air adéquate pour sécher efficacement les vêtements. Une ventilation adéquate réduit les durées de séchage et accroît les économies d'énergie. Voir les Instructions d'installation.

Le système d'évacuation fixé à la sècheuse joue un rôle important dans la circulation de l'air. Des conduits d'évacuation bloqués ou écrasés, ainsi qu'une installation inadéquate de l'évacuation, diminuent la circulation d'air et les performances de la sècheuse.

Les interventions de dépannage causées par une ventilation incorrecte ne sont pas couvertes par la garantie et seront à la charge du client, quel que soit l'installateur de la sècheuse. Pour nettoyer ou réparer l'évacuation d'air, contacter un technicien qualifié dans l'évacuation d'air.

### Pour maintenir une bonne circulation d'air

- Nettoyer le filtre à charpie avant chaque charge.
- Remplacer le matériau de conduits d'évacuation en plastique ou en aluminium par des conduits d'évacuation lourds et rigides de 4 po (102 mm) de diamètre.
- Toujours employer les conduits d'évacuation les plus courts possibles.
- Ne pas utiliser plus de quatre coudes à 90° dans un circuit d'évacuation, car chaque inclinaison et courbe réduit le flux d'air.



- Retirer la charpie et les résidus du clapet d'évacuation.
- Retirer la charpie sur toute la longueur du circuit d'évacuation au moins tous les 2 ans. Après le nettoyage, suivre les instructions d'installation pour une vérification finale de l'appareil.
- Dégager tout article qui se trouverait devant la sècheuse.

## Précautions à prendre avant une non-utilisation, un entreposage ou un déménagement

### Entretien pour non-utilisation et entreposage

Si l'utilisateur doit partir en vacances ou n'utilise pas la sécheuse pendant une période prolongée, il convient d'exécuter les opérations suivantes :

1. Débrancher la sécheuse ou déconnecter la source de courant électrique.
2. Nettoyer le filtre à charpie. Voir la section « Nettoyage du filtre à charpie ».
3. Modèles à vapeur uniquement : Fermer l'alimentation en eau de la sécheuse. Ceci permet d'éviter les inondations (dues à une augmentation de la pression hydraulique) lorsque vous êtes absent.

### Précautions à prendre avant un déménagement

#### Sécheuses alimentées par cordon d'alimentation :

1. Débrancher le cordon d'alimentation électrique.
2. Modèles à vapeur uniquement : Fermer le robinet d'eau. Déconnecter le tuyau d'arrivée d'eau du robinet, puis vidanger le tuyau. Transporter le tuyau séparément.
3. S'assurer que les pieds de nivellement sont solidement fixés à la base de la sécheuse.
4. Utiliser du ruban adhésif pour fixer la porte de la sécheuse.
5. Sur les modèles avec tringle de base, retirer la tringle de base avant de déplacer la sécheuse. Consulter la section « Installation et retrait de la tringle de base (sur certains modèles) ».

Pour les sécheuses avec raccordement direct :

## AVERTISSEMENT



### Risque de décharge électrique

**Déconnecter la source de courant électrique avant l'entretien.**

**Replacer pièces et panneaux avant de faire la mise en marche.**

**Le non-respect de cette instruction peut causer un décès ou une décharge électrique.**

1. Déconnecter la source de courant électrique alimentant le boîtier de distribution (fusibles ou disjoncteur).
2. Déconnecter le câblage.
3. Modèles à vapeur uniquement : Fermer le robinet d'eau. Déconnecter le tuyau d'arrivée d'eau du robinet, puis vidanger le tuyau. Transporter le tuyau séparément.
4. S'assurer que les pieds de nivellement sont solidement fixés à la base de la sécheuse.
5. Utiliser du ruban adhésif pour fixer la porte de la sécheuse.
6. Sur les modèles avec tringle de base, retirer la tringle de base avant de déplacer la sécheuse. Consulter la section « Installation et retrait de la tringle de base (sur certains modèles) ».

### Hivérization de la sécheuse :

1. Débrancher la sécheuse ou déconnecter la source de courant électrique.
2. Fermer le robinet d'eau.
3. Déconnecter les tuyaux d'arrivée d'eau des robinets et les vider.

### Réutilisation de la sécheuse :

1. Vidanger les canalisations d'eau. Reconnecter le tuyau d'arrivée d'eau au robinet. Ouvrir le robinet d'eau.
2. Brancher la sécheuse ou reconnecter la source de courant électrique comme décrit dans les « Instructions d'installation ».

### Réinstallation de la sécheuse

Suivre les « Instructions d'installation » pour choisir l'emplacement, ajuster l'aplomb de la sécheuse et la raccorder.

### Instructions spécifiques pour les modèles avec vapeur

Installer et remiser la sécheuse à l'abri du gel. Il est possible que de l'eau stagne dans les tuyaux; ceci pourrait endommager la sécheuse en période de gel. Si la sécheuse doit faire l'objet d'un déménagement ou de remisage au cours d'une période de gel, hivériser la sécheuse.

### Tuyaux d'arrivée d'eau

Remplacer le tuyau d'arrivée d'eau et la crépine de tuyau après 5 ans d'utilisation afin de réduire le risque de défaillance du tuyau. Inspecter périodiquement les tuyaux; les remplacer en cas de renflement, de déformation, de coupure et d'usure ou de fuite.

Lors du remplacement d'un tuyau d'arrivée d'eau, inscrire la date du remplacement.

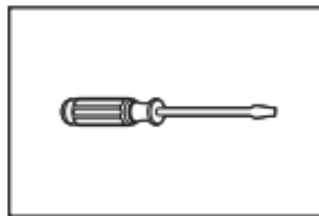
## EXIGENCES D'INSTALLATION

### Outils et pièces

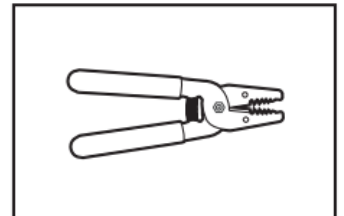
**REMARQUE:** Installer la sécheuse conformément aux instructions du fabricant et aux codes locaux.

Rassembler les outils et composants nécessaires avant d'entreprendre le processus d'installation. Lire et observer les instructions fournies avec chacun des outils de la liste ci-dessous.

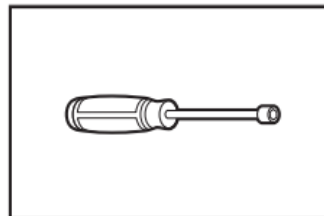
### Outils nécessaires pour toutes les installations :



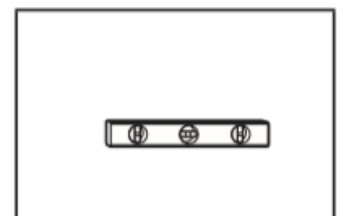
Tournevis à tête plate



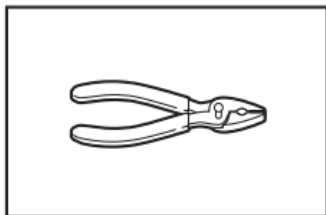
Pince à dénuder



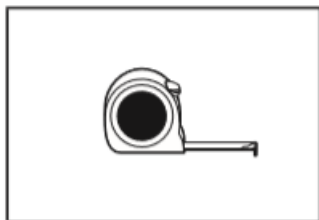
Tourne-écrou de 1/4 po



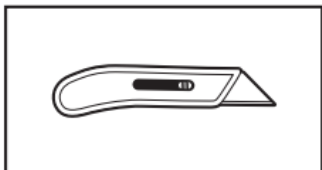
Niveau



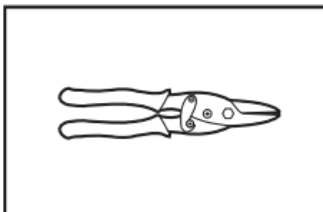
Pince



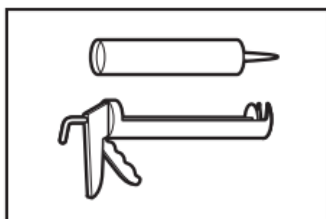
Ruban à mesurer



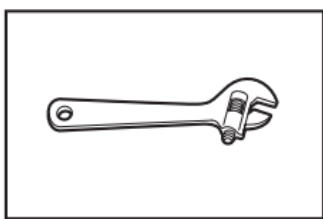
Couteau utilitaire



Cisaille de ferblantier

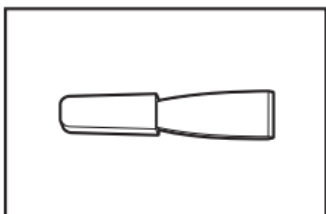


Pistolet à calfeutrage et composé de calfeutrage



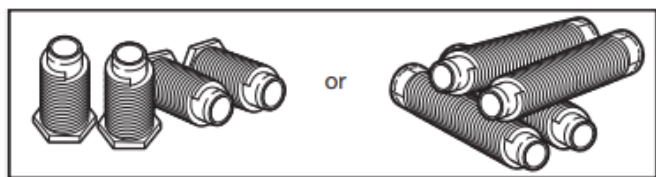
Clé à molette avec ouverture jusqu'à 1 po (25 mm) ou clé à douille hexagonale

### Outils supplémentaires requis (sur certains modèles) :



Couteau à mastic

### Pièces fournies (tous les modèles) :



Pieds de nivellement (4) (la longueur et l'apparence des pieds varient selon le modèle)

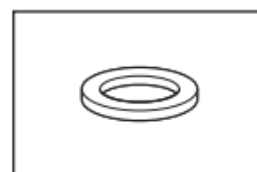
Le sachet de pièces se trouve dans le tambour de la sècheuse. Vérifier que toutes les pièces sont présentes.

**REMARQUE** : Ne pas utiliser les pieds de nivellement fournis lors de l'installation de la sècheuse avec un piédestal ou d'un ensemble de superposition.

### Pièces nécessaires (modèles à vapeur) :



Raccord en « Y »



Rondelle en caoutchouc

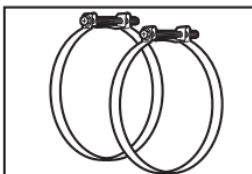


Tuyau d'alimentation de 2 pi (0,6 m)



Tuyau d'alimentation de 5 pi (1,52 m)

### Modèles avec conduit d'évacuation :



Brides de conduit, coudes et matériel d'évacuation

### Pièces nécessaires (non fournies avec la sècheuse) :

Des pièces supplémentaires seront peut-être nécessaires, selon l'installation. Consulter les codes locaux. Vérifier l'alimentation électrique et le circuit d'évacuation existants. Voir les sections « Installations électriques » et « Exigences concernant l'évacuation » avant d'acheter les pièces.

Les installations pour maison mobile nécessitent un système d'évacuation en métal offert chez le marchand chez qui vous avez acheté votre sècheuse. Pour obtenir plus d'informations et les coordonnées d'entretien, consulter le guide de démarrage rapide.

### Accessoires offerts :

Des accessoires et pièces de remplacement sont offerts pour votre modèle. Pour les coordonnées et les renseignements de commande, consulter le guide de démarrage rapide.

## Exigences d'emplacement

### ⚠ AVERTISSEMENT



#### Risque d'explosion

**Garder les matières et les vapeurs inflammables, telles que l'essence, à l'écart de la sècheuse.**

**Ne pas faire sécher un article qui a déjà été touché par un produit inflammable (même après un lavage).**

**Placer la sècheuse au moins 18 po (460 mm) au-dessus du sol pour une installation dans un garage.**

**Le non-respect de ces instructions peut causer un décès, une explosion ou un incendie.**

Vérifier les spécifications des codes. Certains codes limitent ou interdisent l'installation des sècheuses dans un garage, une armoire, une maison mobile ou une chambre à coucher. Contacter l'inspecteur en bâtiments local.

#### Il faut :

- **Pour les modèles avec conduit d'évacuation :** Un emplacement permettant une évacuation appropriée. Voir la section « Exigences concernant l'évacuation ».
- Un circuit distinct de 30 A pour les sècheuses électriques.
- Si on utilise un cordon d'alimentation, une prise électrique reliée à la terre située à 2 pi (610 mm) maximum d'un des côtés de la sècheuse. Consulter les « Spécifications électriques ».
- Le plancher doit pouvoir soutenir le poids de la sècheuse de 200 lb (90,7 kg). Tenir également compte du poids combiné des appareils voisins.
- **Pour les sècheuses avec vapeur :** Des robinets d'eau froide situés à 4 pi (1,2 m) maximum des valves de remplissage, et une pression d'eau de 20 à 120 lb/po<sup>2</sup> (138 à 827 kPa). Il est possible d'utiliser l'alimentation en eau de la laveuse à l'aide des pièces nécessaires mentionnées (lesquelles devront peut-être être achetées).
- Un plancher de niveau ayant une pente maximale de 1 po (25 mm) sous l'ensemble de la sècheuse. Si la pente est supérieure à 1 po (25 mm), installer l'ensemble de pieds d'extension. Si la sècheuse n'est pas d'aplomb, les vêtements peuvent ne pas culbutter convenablement et les programmes de détection automatiques peuvent ne pas fonctionner correctement.
- Pour une installation dans un garage, placer la sècheuse à au moins 18 po (460 mm) au-dessus du plancher. En cas d'utilisation d'un piédestal, il faudra 18 po (460 mm) jusqu'au bas de la sècheuse.
- La sècheuse ne doit pas être installée ou remisee dans un endroit où elle sera exposée à l'eau ou aux intempéries.

**IMPORTANT :** Ne pas faire fonctionner la sècheuse à des températures inférieures à 45 °F (7 °C). À des températures inférieures, la sècheuse pourrait ne pas s'arrêter à la fin des programmes de détection automatique, ce qui entraînerait le prolongement du temps de séchage.

#### Distances de dégagement à respecter :

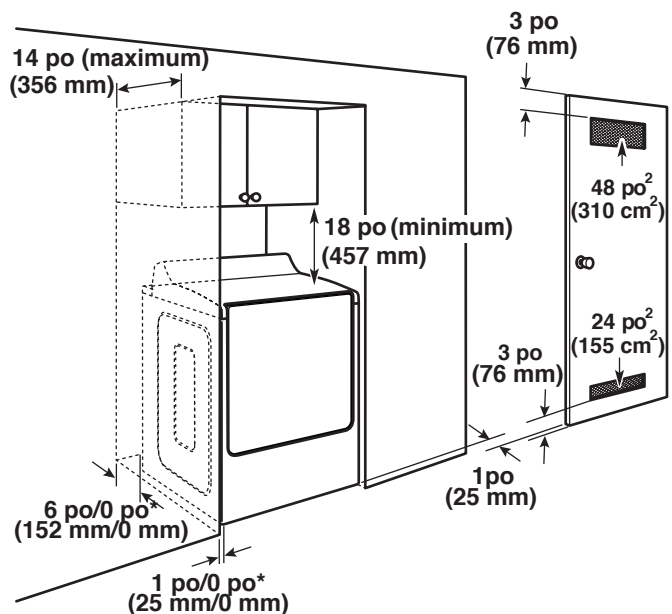
Pour chaque type de configuration, prévoir davantage de dégagement pour faciliter l'installation et l'entretien : laisser suffisamment de dégagement pour les appareils ménagers voisins et pour les murs, les portes et les plinthes. L'espace doit être assez grand pour permettre d'ouvrir complètement la porte de la sècheuse. Ajouter un espace supplémentaire tout autour de la sècheuse pour réduire le transfert de bruit. Si on utilise une porte d'armoire, des ouvertures d'aération au sommet et au bas de la porte sont nécessaires. Les portes à claire-voie offrant des ouvertures équivalentes de passage de l'air peuvent être utilisées.

#### Espacement pour une installation dans un encastrement ou dans une armoire

Les dimensions indiquées correspondent à l'espace minimal permis.

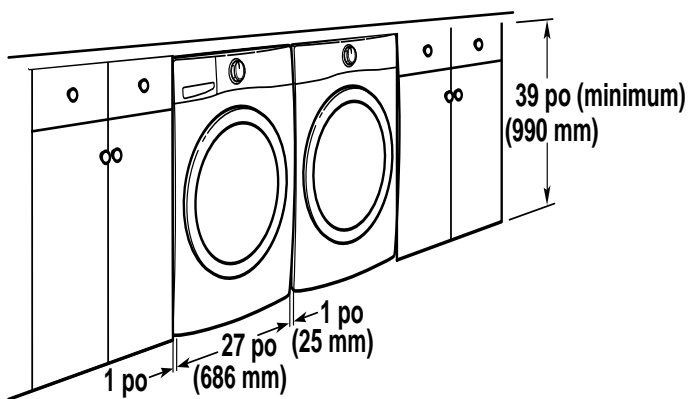
- Prévoir davantage d'espace pour faciliter l'installation et l'entretien.
- Un espace supplémentaire peut être requis pour le mur, la porte, le plancher, les moulures, le tuyau d'évacuation et le système de vidange.
- Un espace supplémentaire doit être envisagé de tous les côtés de la sècheuse afin de réduire le transfert de bruit.
- Pour installation dans une armoire avec porte, on doit prévoir des ouvertures minimums d'entrée d'air en haut et en bas de la porte pour les modèles avec conduit d'évacuation. Les portes à claire-voie offrant des ouvertures équivalentes de passage de l'air sont acceptables.
- Il faut aussi prendre en compte l'espace requis entre les appareils voisins.

#### Distances de dégagement recommandées pour l'installation (sècheuse seulement) :



\*Dégagement minimum recommandé

## Installation sous comptoir personnalisée :



## Distances de dégagement minimum pour l'installation (sècheuse seulement) :

	Avant	Côtés	Arrière	Haut
<b>Encastré</b>	N. D.	0 po (0 mm)	0 po (0 mm)	N. D.
<b>Armoire</b>	1 po (25 mm)	0 po (0 mm)	0 po (0 mm)	N. D.
<b>Sous un comptoir</b>	N. D.	1 po (25 mm)	0 po (0 mm)	0 po (0 mm)

0 po (0 mm) d'espace arrière est permis pour la ventilation droite seulement.

Pour les modèles avec vapeur seulement, le tuyau d'alimentation ne doit pas être plié.

## Installation dans une résidence mobile – Exigences supplémentaires

Cette sècheuse peut être installée dans une maison mobile. L'installation doit satisfaire les critères de la Manufactured Home Construction and Safety Standard, Titre 24 CFR, partie 3280 (anciennement Federal Standard for Mobile Home Construction and Safety, Titre 24 HUD, partie 280) ou de la Norme CAN/CSA-Z240MH pour les maisons mobiles.

### Critères à respecter pour une installation dans une maison mobile :

- Un système d'évacuation en métal qui peut être acheté chez votre marchand.
- Il faut prendre des dispositions spéciales dans les maisons mobiles pour l'apport d'air de l'extérieur dans la sècheuse. L'ouverture (telle qu'une fenêtre à proximité) devrait être au moins deux fois plus grande que l'ouverture de décharge de la sècheuse.

## Spécifications électriques – É.-U.

### C'est à l'utilisateur qu'incombe la responsabilité de :

- Contacter un électricien qualifié.
- S'assurer que le raccordement électrique est adéquat et conforme au code national de l'électricité, ANSI/NFPA 70 – dernière édition, et à tous les codes et règlements locaux en vigueur. Le National Electrical Code impose un raccordement à 4 fils de l'alimentation électrique pour les maisons construites après 1996, les circuits de sècheuse modifiés après 1996 et toutes les installations de maisons mobiles. Pour obtenir un exemplaire des normes des codes ci-dessus, contacter : National Fire Protection Association, One Batterymarch Park, Quincy, MA 02169-7471.
- L'appareil doit être alimenté uniquement par un circuit monophasé à 3 ou 4 fils de 120/240 V CA, 60 Hz (ou 3 ou 4 fils, 120/208 V, si précisé sur la plaque signalétique) sur un circuit séparé et protégé par un fusible ou un disjoncteur de 30 A sur chacun des 2 câbles. On recommande également que cet appareil soit alimenté par un circuit indépendant. Ne pas installer un fusible dans le conducteur neutre ou le circuit de mise à la terre.
- Ne pas utiliser de rallonge.
- Si les codes le permettent et si on utilise un conducteur distinct de mise à la terre, il est recommandé qu'un électricien qualifié vérifie la qualité de la mise à la terre.

### Raccordement électrique

Pour installer la sècheuse de façon appropriée, il faut établir le type de raccords électriques que l'on utilisera et suivre les instructions de ce document.

- Cette sècheuse est prête à l'installation avec un raccordement à l'alimentation électrique à 3 fils. Le fil neutre est définitivement raccordé au conducteur neutre (fil blanc) à l'intérieur de la sècheuse. Si les codes d'électricité locaux demandent l'utilisation d'un disjoncteur différentiel de fuite à la terre, l'appareil doit être installé avec un raccordement à 4 fils à l'alimentation électrique. Le fil de terre neutre doit être retiré de la vis du connecteur de terre externe (vis verte) et fixé sous la borne du neutre (fil du centre ou blanc) du bornier. Lorsque le fil neutre est fixé sous la borne du neutre (fil du centre ou blanc) du bornier, la caisse de la sècheuse est isolée du conducteur neutre. Le conducteur vert de mise à la terre du cordon d'alimentation à 4 conducteurs doit être fixé à la caisse de la sècheuse à l'aide de la vis verte de liaison à la terre.
- Si les codes locaux n'autorisent pas le raccordement d'un conducteur neutre au fil neutre, voir le point « Raccordement optionnel à 3 fils ».
- Un raccordement à 4 fils de l'alimentation électrique doit être utilisé lorsque l'appareil est installé dans un lieu où la mise à la terre par le conducteur neutre est interdite. Il est interdit de relier l'appareil à la terre par l'intermédiaire du conducteur neutre dans les cas suivants : (1) nouvelle installation de circuit secondaire, (2) maison mobile, (3) véhicule de loisirs, et (4) juridictions dans lesquelles le code local interdit la liaison à la terre par l'intermédiaire du conducteur neutre.

## En cas d'utilisation d'un cordon d'alimentation :

Utiliser un ensemble de cordon d'alimentation électrique homologué UL marqué pour utilisation avec les sècheuses à vêtements. L'ensemble doit contenir :

- Un cordon d'alimentation électrique homologué UL de 30 A, 120/240 V minimum. Le câble doit être de type SRD ou SRDT et mesurer au moins 4 pi (1,22 m) de long. Les fils raccordés à la sècheuse doivent se terminer par des cosses rondes ou à fourche à pointes relevées.
- Un serre-câbles (homologation UL).

### Si la prise murale ressemble à ceci :



Prise murale à 4 fils (14-30R)

Choisir un câble d'alimentation à 4 fils avec cosses rondes ou à fourche et un serre-câbles homologué UL. Le câble d'alimentation électrique à 4 fils, d'au moins 4 pi (1,22 m) de long, doit comporter 4 fils en cuivre de calibre 10 et pouvoir se brancher sur une prise à 4 fils de type NEMA 14-30 R. Le fil de liaison à la terre (le conducteur de liaison à la terre) peut être vert ou nu. Le conducteur neutre doit être identifié par une gaine blanche.

### Si la prise murale ressemble à ceci :



Prise murale à 3 fils (10-30R)

Choisir un câble d'alimentation à 3 fils avec cosses rondes ou à fourche et un serre-câbles homologué UL. Le cordon d'alimentation électrique à 3 fils, d'au moins 4 pi (1,22 m) de long, doit comporter trois fils en cuivre torsadés de calibre no 10 et une fiche à 3 fils correspondante de type NEMA 10-30R.

### Pour le raccordement direct :

Le câble d'alimentation doit correspondre à l'alimentation électrique (4 fils ou 3 fils) et être :

- Un câble en cuivre à gaine non métallique ou blindé souple (avec fil de mise à la terre), avec conduit métallique flexible. Tous les fils sous tension doivent être isolés.
- Fil en cuivre plein de calibre 10 (ne pas utiliser d'aluminium) d'au moins 5 pi (1,52 m) de long.

## INSTRUCTIONS DE LIAISON À LA TERRE

### Pour un appareil avec liaison à la terre et cordon d'alimentation :

Cet appareil doit être relié à la terre. En cas d'anomalie de fonctionnement ou de panne, la liaison à la terre réduira le risque de décharge électrique en offrant au courant électrique un itinéraire d'évacuation de moindre résistance. L'appareil est doté d'un cordon électrique comportant un conducteur de mise à la terre d'équipement et une fiche de branchement de liaison à la terre. La fiche doit être branchée sur une prise de courant appropriée qui soit bien installée et reliée à la terre conformément à tous les codes et règlements locaux.

**AVERTISSEMENT :** Un raccordement inapproprié du conducteur de mise à la terre de l'équipement peut causer un risque de décharge électrique. En cas de doute quant à la qualité de la mise à la terre de l'appareil, consulter un électricien ou un technicien d'entretien qualifié. Ne pas modifier la fiche fournie avec cet appareil : Si elle ne correspond pas à la prise de sortie, faire installer une fiche appropriée par un électricien qualifié.

### Pour un appareil raccordé en permanence :

Cet appareil doit être raccordé à un système de câblage permanent en métal relié à la terre, ou un conducteur de mise à la terre d'équipement doit être en fonction avec les conducteurs de circuit, et raccordé à la borne de mise à la terre d'équipement ou la borne sur l'appareil ménager.

## CONSERVER CES INSTRUCTIONS

## Spécifications électriques – Canada

### ⚠ AVERTISSEMENT



#### Risque de décharge électrique

**Brancher l'appareil sur une prise à 4 alvéoles reliée à la terre.**

**Le non-respect de cette instruction peut causer un décès ou une décharge électrique.**

### C'est à l'utilisateur qu'incombe la responsabilité de :

- Contacter un électricien qualifié.
- S'assurer que le raccordement électrique est adéquat et conforme à la dernière édition du Canadian Electrical Code, C22.1, et à tous les codes et règlements locaux en vigueur. Pour obtenir un exemplaire des normes des codes ci-dessus, contacter : Canadian Standards Association, 178 Rexdale Blvd., Toronto, ON M9W 1R3 CANADA.
- L'appareil doit être alimenté uniquement par un circuit monophasé de 120/240 V CA uniquement de 60 Hz à 4 fils, sur un circuit séparé de 30 A, protégé par fusible aux deux extrémités de la ligne. On recommande d'utiliser un fusible ou un disjoncteur temporisé. On recommande également que cet appareil soit alimenté par un circuit indépendant.

- Cette sècheuse est munie d'un cordon d'alimentation certifié UL ou CSA International Certified conçu pour être branché dans un réceptacle mural 14-30R standard. Le cordon mesure 5 pi (1,52 m). Veiller à ce que la prise murale se trouve à proximité de l'emplacement définitif de la sècheuse.



Prise murale à 4 fils (14-30R)

- Si les codes le permettent et si on utilise un conducteur distinct de mise à la terre, il est recommandé qu'un électricien qualifié vérifie la qualité de la mise à la terre.
- Ne pas utiliser de rallonge.  
Pour obtenir plus d'informations ou un cordon d'alimentation de rechange, utiliser les coordonnées indiquées sur votre guide de démarrage rapide.

## INSTRUCTIONS DE LIAISON À LA TERRE

### Pour un appareil avec liaison à la terre et cordon d'alimentation :

Cet appareil doit être relié à la terre. En cas d'anomalie de fonctionnement ou de panne, la liaison à la terre réduira le risque de décharge électrique en offrant au courant électrique un itinéraire d'évacuation de moindre résistance. L'appareil est doté d'un cordon électrique comportant un conducteur de mise à la terre d'équipement et une fiche de branchement de liaison à la terre. La fiche doit être branchée sur une prise de courant appropriée qui soit bien installée et reliée à la terre conformément à tous les codes et règlements locaux.

**AVERTISSEMENT :** Un raccordement inapproprié du conducteur de mise à la terre de l'équipement peut causer un risque de décharge électrique. En cas de doute quant à la qualité de la mise à la terre de l'appareil, consulter un électricien ou un technicien d'entretien qualifié. Ne pas modifier la fiche fournie avec cet appareil; si elle ne correspond pas à la prise de sortie, faire installer une prise appropriée par un électricien qualifié.

### CONSERVER CES INSTRUCTIONS

# INSTRUCTIONS D'INSTALLATION

## Installation des pieds de réglage de l'aplomb

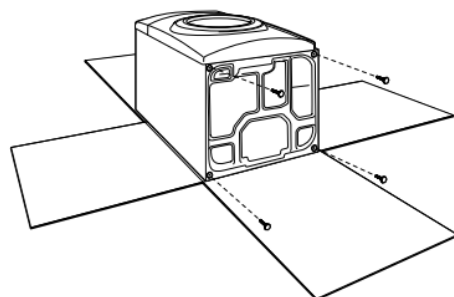
### **AVERTISSEMENT**

#### Risque de poids excessif

Utiliser deux personnes ou plus pour déplacer et installer l'appareil.

Le non-respect de cette instruction peut causer une blessure au dos ou d'autres blessures.

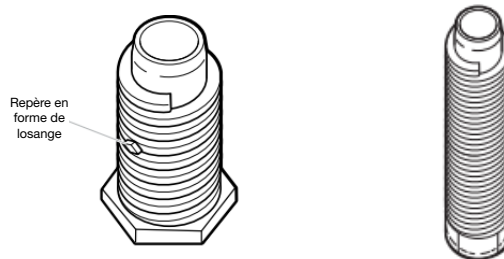
### 1. Préparation de la sècheuse pour les pieds de nivellement



Afin d'éviter d'endommager le plancher, utiliser un grand morceau de carton plat extrait de la boîte d'emballage de la sècheuse et le placer sous toute la partie arrière de la sècheuse. Saisir fermement le corps de la sècheuse (et non pas le panneau de la console), puis poser la sècheuse sur le carton avec précaution.

**REMARQUE :** De l'eau issue des tests en usine peut s'évacuer si la sècheuse est placée sur le côté.

### 2. Vissage des pieds de nivellement



Pied de nivellement avec repère en forme de diamant.

Pied de nivellement sans repère en forme de diamant

À l'aide d'une clé et d'un ruban à mesurer, visser les pieds de nivellement dans les trous pour pieds de nivellement jusqu'à ce que le bas de chaque pied se trouve à environ 1/2 po (13 mm) à 1 1/2 po (38 mm) du bas de la sècheuse.

#### **Pour les pieds de nivellement avec repère en forme de diamant :**

Introduire manuellement les pieds dans les trous des pieds. Utiliser une clé à molette pour visser les pieds jusqu'à ce que le symbole de repérage en forme de diamant ne soit plus visible.

Placer une cornière de carton prise à partir de l'emballage de la sècheuse sous chacun des deux coins arrière de la sècheuse. Redresser la sècheuse. Faire glisser la sècheuse sur les cornières jusqu'à ce qu'elle soit proche de son emplacement final. Laisser suffisamment d'espace pour connecter le conduit d'évacuation.

## Installation électrique – É.-U.

### **⚠ AVERTISSEMENT**



#### **Risque d'incendie**

**Pour une utilisation avec cordon d'alimentation, utiliser un nouveau cordon d'alimentation de 30 A homologué UL.**

**Pour un raccordement direct, utiliser un fil de cuivre de calibre 10.**

**Utiliser un serre-câbles homologué UL.**

**Déconnecter la source de courant électrique avant de réaliser les connexions électriques.**

**Connecter le conducteur neutre (blanc ou conducteur central) à la borne centrale (argent).**

**Connecter le conducteur de liaison à la terre (vert ou nu) au connecteur vert de liaison à la terre.**

**Connecter les 2 conducteurs d'alimentation restants aux 2 bornes (or) restantes.**

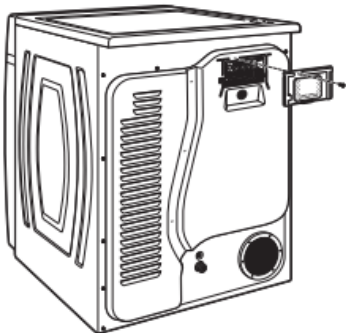
**Bien serrer toutes les connexions électriques.**

**Le non-respect de ces instructions peut causer un décès, un incendie ou une décharge électrique.**

### **1. Déconnecter la source de courant électrique**

### **2. Retirer le couvercle du bornier**

**REMARQUE :** Le couvercle du bornier peut se situer à un endroit différent.



Retirer la vis de retenue et le couvercle du bornier.

### **3. Choisir le type de raccordement électrique**



**Prise de courant à 4 conducteurs (NEMA type 14-30R) :** Consulter la section « Raccordement du câble d'alimentation à 4 fils ». Ensuite, aller à la section « Exigences concernant l'évacuation ».



**Prise de courant à 3 conducteurs (NEMA type 10-30R) :** Consulter la section « Raccordement du câble d'alimentation à 3 fils ». Ensuite, aller à la section « Exigences concernant l'évacuation ».



**Raccordement direct à 4 fils :** Aller à la section « Fixer le serre-câbles pour raccordement direct », puis « Raccordement direct à 4 fils » et enfin, « Exigences concernant l'évacuation ».



**Raccordement direct à 3 fils :** Aller à la section « Fixer le serre-câbles pour raccordement direct », puis « Raccordement direct à 3 fils » et enfin, « Exigences concernant l'évacuation ».

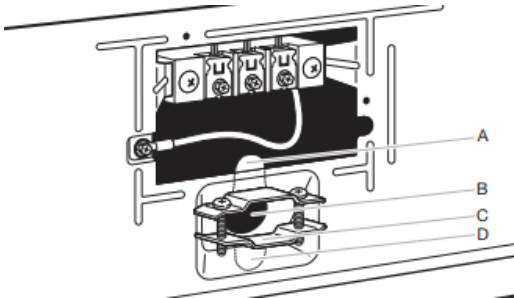
**REMARQUE :** Si les codes locaux n'autorisent pas le raccordement d'un conducteur de masse de la caisse au fil neutre, voir la section « Raccordement optionnel à 3 fils ». Ce raccordement peut servir pour un cordon d'alimentation ou une connexion directe des conducteurs.



## Raccordement du cordon d'alimentation

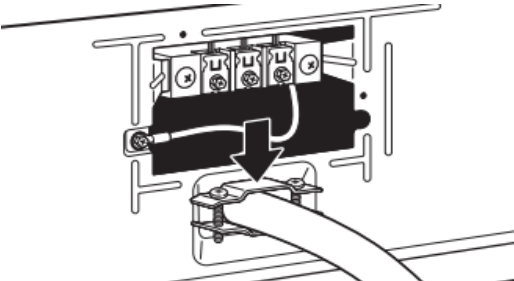
### Serre-câbles du cordon d'alimentation

#### 1. Fixer le serre-câbles du câble d'alimentation



Retirer les vis d'un serre-câbles homologué UL de 3/4 po (19 mm) UL (inscription UL sur le serre-câbles). Placer les languettes des deux moitiés de pince (C) dans le trou sous l'ouverture du bornier (B), de sorte qu'une d'entre elles pointe vers le haut (A) et l'autre vers le bas (D). Maintenir en place. Serrer les vis du serre-câbles juste assez pour maintenir ensemble les deux moitiés de pince (C).

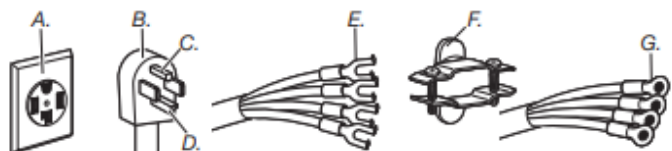
#### 2. Fixer le serre-câbles du câble d'alimentation



Passer le cordon d'alimentation à travers le serre-câbles. Vérifier que la gaine d'isolation du cordon d'alimentation rentre à l'intérieur du serre-câbles. Le serre-câbles doit être bien relié à la caisse de la sècheuse et se trouver en position horizontale. Serrer la vis du serre-câbles autour du cordon d'alimentation. Ne pas serrer excessivement les vis du serre-câbles.

### Raccordement du câble d'alimentation à 4 fils

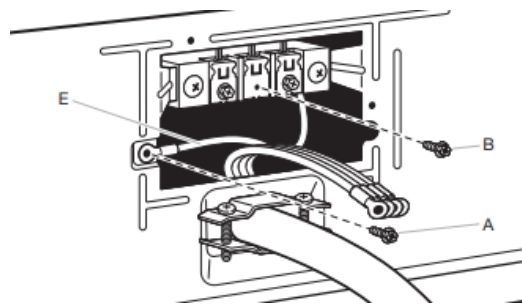
**IMPORTANT :** Un raccordement à 4 fils est obligatoire pour les maisons mobiles et lorsque les codes locaux n'autorisent pas l'utilisation de raccordements à 3 fils.



- A. Prise murale à 4 fils (type NEMA 14-30R)
- B. Prise à 4 broches
- C. Broche de liaison à la terre
- D. Broche pour neutre

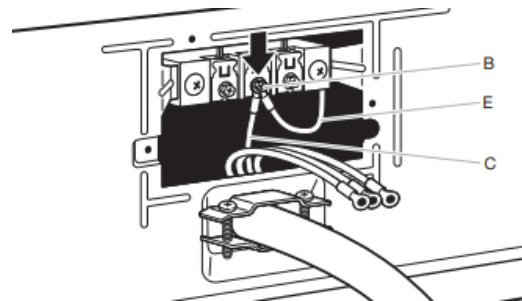
- E. Cosses en fourche à pointes relevées
- F. Serre-câbles (homologation UL) de 3/4 po (19 mm)
- G. Cosses rondes

#### 3. Préparer l'installation du fil de mise à la terre de l'appareil



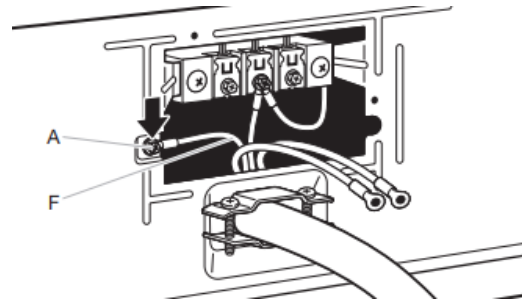
Retirer la vis de la borne centrale (B). Retirer le conducteur neutre (E) de la vis du conducteur de terre externe verte (A).

#### 4. Connecter le conducteur neutre et le conducteur neutre



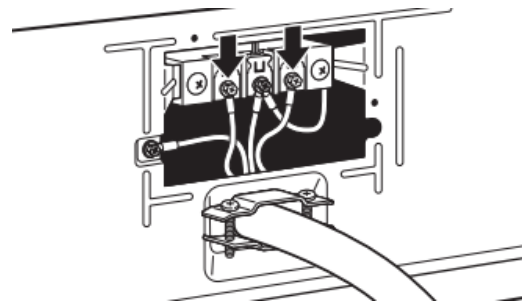
Connecter le conducteur neutre (E) et le conducteur neutre (blanc ou centre) (C) du câble d'alimentation sous la vis de la borne centrale (B). Serrer la vis.

#### 5. Connecter le conducteur de liaison à la terre



Connecter le conducteur (vert ou nu) de liaison à la terre (F) du câble d'alimentation sous la vis du conducteur de liaison à la terre (A). Serrer la vis.

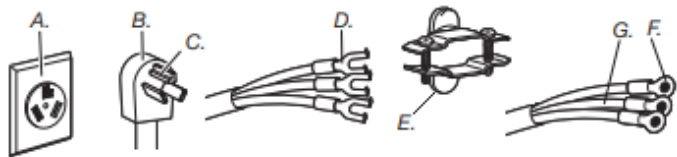
#### 6. Connecter les conducteurs restants



Connecter les conducteurs restants sous les vis les plus à l'extérieur du bornier. Serrer les vis. Placer la languette du couvercle du bornier dans la fente du panneau arrière de la sècheuse. Fixer le couvercle avec la vis de retenue. Ensuite, aller à la section « Exigences concernant l'évacuation ».

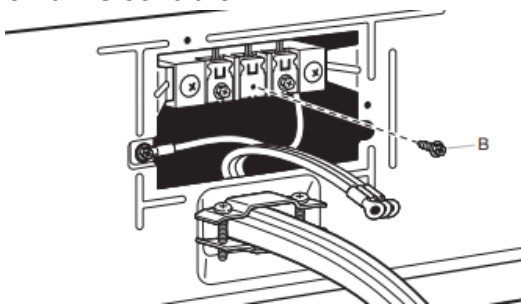
## Raccordement du câble d'alimentation à 3 fils

**IMPORTANT :** À utiliser lorsque les codes locaux autorisent la connexion du conducteur de masse de la caisse au conducteur neutre.



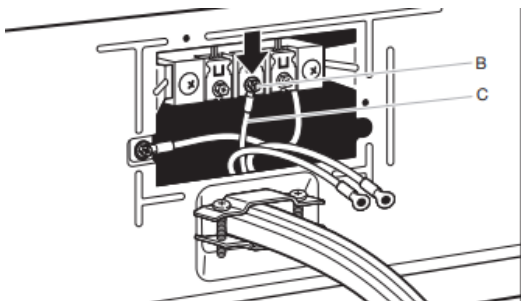
- A. Prise murale à 3 fils (type NEMA 10-30R)
- B. Fiche à 3 broches
- C. Broche pour neutre
- D. Cosses en fourche à pointes relevées
- E. Serre-câbles (homologation UL) de 3/4 po (19 mm)
- F. Cosses rondes
- G. Neutre (fil blanc ou central)

### 3. Retirer la vis centrale



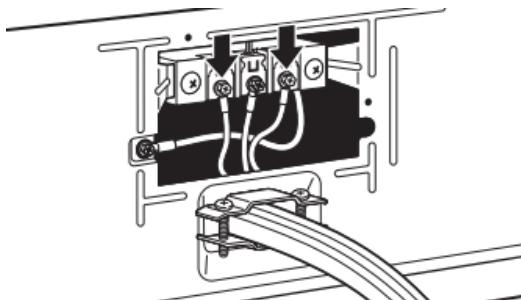
Retirer la vis de la borne centrale (B).

### 4. Connecter le conducteur neutre



Connecter le conducteur neutre (blanc ou central) (C) du câble d'alimentation sous la vis de la borne centrale (B). Serrer la vis.

### 5. Connecter les conducteurs restants

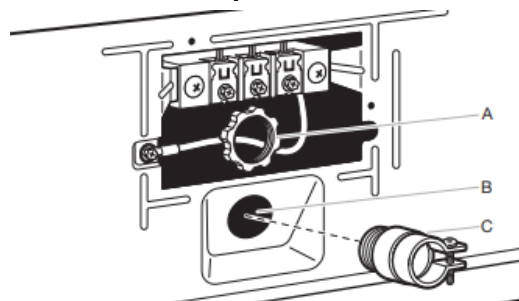


Connecter les conducteurs restants sous les vis les plus à l'extérieur du bornier. Serrer les vis. Placer la languette du couvercle du bornier dans la fente du panneau arrière de la sécheuse. Fixer le couvercle avec la vis de retenue. Ensuite, aller à la section « Exigences concernant l'évacuation ».

## Méthode de raccordement direct

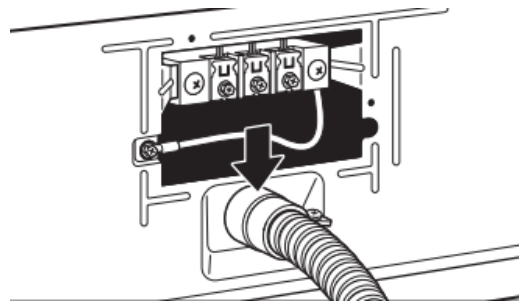
### Serre-câbles pour raccordement direct

#### 1. Fixer le serre-câbles pour raccordement direct



Dévisser le raccord de conduit amovible (A) et les vis d'un serre-câbles homologué UL (inscription UL sur le serre-câbles) de 3/4 po (19 mm). Visser la partie filetée du serre-câbles dans le trou sous l'ouverture du bornier (B). En passant par l'ouverture du bornier, visser le connecteur de conduit amovible (A) sur le filetage du serre-câbles (C) et bien serrer.

#### 2. Fixer le câble à raccordement direct au serre-câbles



Passer le câble à raccordement direct à travers le serre-câbles. Le serre-câbles doit être bien relié à la caisse de la sécheuse et se trouver en position horizontale. Serrer la vis du serre-câbles autour du câble à raccordement direct.

**Pour le raccordement direct à 4 conducteurs, continuer à l'étape 3.**



Raccordement direct à 4 fils : Aller à la section « Raccordement direct à 4 fils ».

**Pour le raccordement direct à 3 conducteurs, continuer à l'étape 3.**

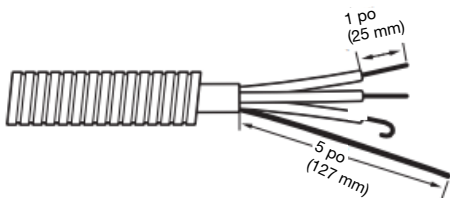


Raccordement direct à 3 fils : Aller à la section « Raccordement direct à 3 fils ».

## Raccordement direct à 4 fils

**IMPORTANT :** Un raccordement à 4 fils est obligatoire pour les maisons mobiles et lorsque les codes locaux n'autorisent pas les raccordements à 3 fils.

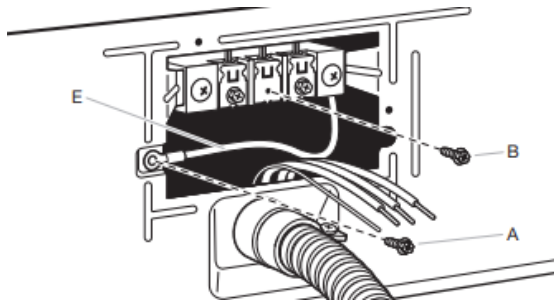
### 3. Préparer le câble à 4 fils pour un raccordement direct



Le câble à raccordement direct doit avoir une longueur supplémentaire de 5 pi (1,52 m) pour pouvoir déplacer la sècheuse si nécessaire.

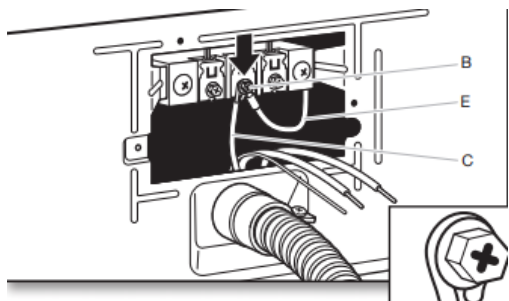
Dénuder une longueur de 5 po (127 mm) de gaine extérieure à l'extrémité du câble, en laissant le conducteur de mise à la terre nu à la longueur de 5 po (127 mm). Couper  $1\frac{1}{2}$  po (38 mm) des 3 conducteurs restants. Dénuder les conducteurs sur une longueur de 1 po (25 mm). Former des crochets aux extrémités des conducteurs.

### 4. Préparer la connexion du conducteur neutre au conducteur neutre



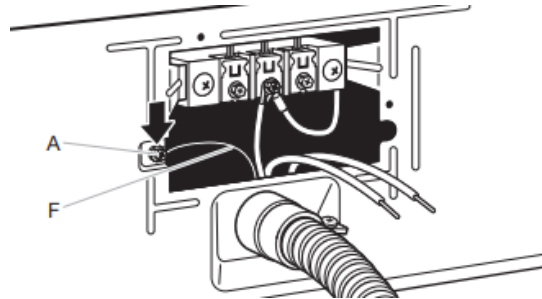
Retirer la vis de la borne centrale (B). Retirer le conducteur neutre (E) de la vis du conducteur externe verte (A).

### 5. Connecter le conducteur neutre et le conducteur neutre



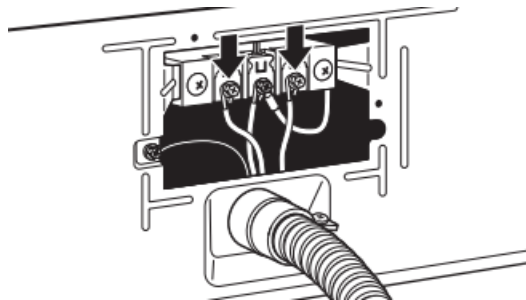
Connecter le conducteur neutre (E) et placer le crochet d'extrémité (crochet vers la droite) du conducteur neutre (blanc ou central) (C) du câble à raccordement direct sous la vis de la borne centrale (B). Rapprocher les extrémités du crochet et serrer la vis.

### 6. Connecter le conducteur de liaison à la terre



Connecter le conducteur (vert ou nu) de liaison à la terre (F) du câble pour raccordement direct sous la vis du conducteur de liaison à la terre externe (A). Serrer la vis.

### 7. Connecter les conducteurs restants

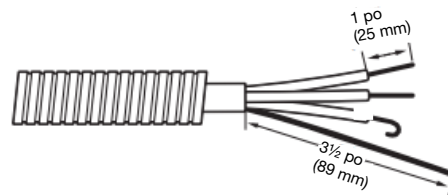


Placer les extrémités en crochet des conducteurs restants du câble pour raccordement direct sous les vis les plus à l'extérieur du bornier (crochets vers la droite). Rapprocher les extrémités du crochet et serrer la vis. Placer la languette du couvercle du bornier dans la fente du panneau arrière de la sècheuse. Fixer le couvercle avec la vie de retenue. Ensuite, aller à la section « Exigences concernant l'évacuation ».

## Raccordement direct à 3 fils

**IMPORTANT :** À utiliser lorsque les codes locaux autorisent la connexion du conducteur de masse de la caisse au conducteur neutre.

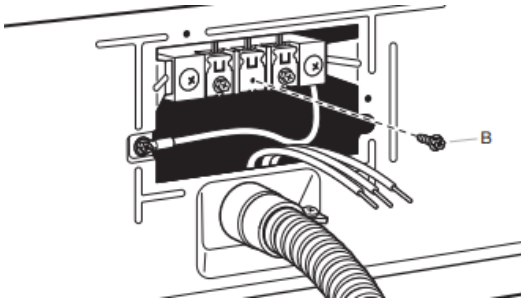
### 3. Préparer le câble à 3 fils pour un raccordement direct



Le câble à raccordement direct doit avoir une longueur supplémentaire de 5 pi (1,52 m) pour pouvoir déplacer la sècheuse si nécessaire.

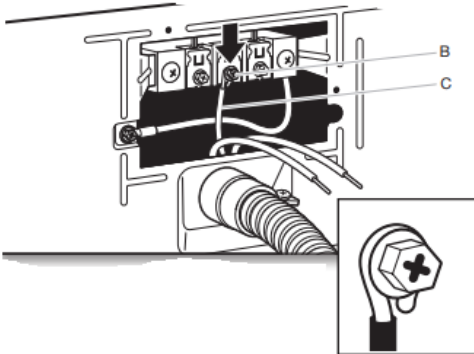
Dénuder une longueur de  $3\frac{1}{2}$  po (89 mm) de gaine extérieure à l'extrémité du câble. Dénuder les conducteurs sur une longueur de 1 po (25 mm). En cas d'utilisation d'un câble à 3 fils avec conducteur de mise à la terre, couper le fil nu au même niveau que la gaine extérieure. Former des crochets au bout des conducteurs.

#### 4. Retirer la vis centrale



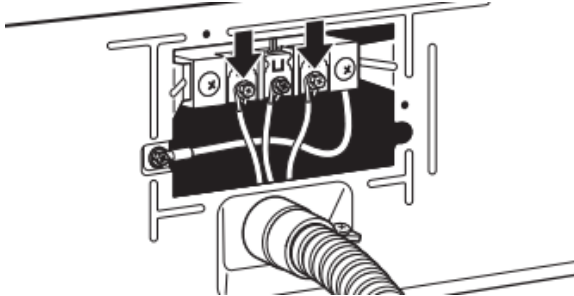
Retirer la vis de la borne centrale (B).

#### 5. Connecter le conducteur neutre



Placer le crochet d'extrémité du conducteur neutre (blanc ou central) (C) du câble pour raccordement direct sous la vis de la borne centrale (B). Rapprocher les extrémités du crochet. Serrer la vis.

#### 6. Connecter les conducteurs restants

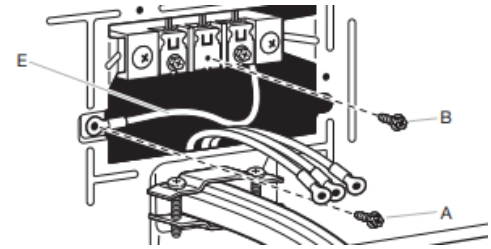


Placer les extrémités en crochet des conducteurs restants du câble pour raccordement direct sous les vis les plus à l'extérieur du bornier (crochets vers la droite). Rapprocher les extrémités du crochet et serrer les vis. Placer la languette du couvercle du bornier dans la fente du panneau arrière de la sècheuse. Fixer le couvercle avec la vie de retenue. Ensuite, aller à la section « Exigences concernant l'évacuation ».

### Raccordement de la connexion à 3 fils optionnelle (cordon d'alimentation illustré)

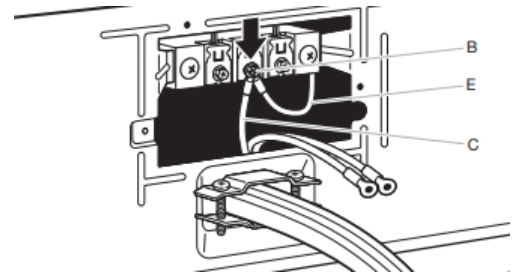
**IMPORTANT :** Il convient de vérifier auprès d'un électricien qualifié que cette méthode de mise à la terre est acceptable avant d'effectuer le raccordement.

#### 1. Préparer la connexion du conducteur neutre au conducteur neutre



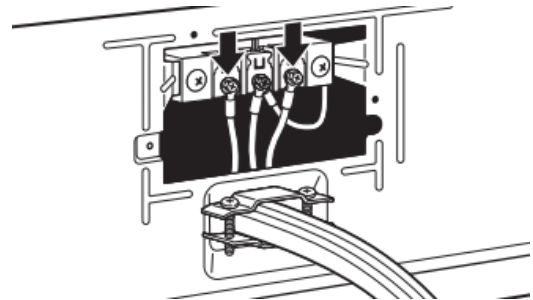
Installer le bon serre-câbles pour votre raccordement électrique. Retirer la vis de la borne centrale (B). Retirer le conducteur neutre (E) de la vis du conducteur de terre externe verte (A).

#### 2. Connecter le conducteur neutre et le conducteur neutre



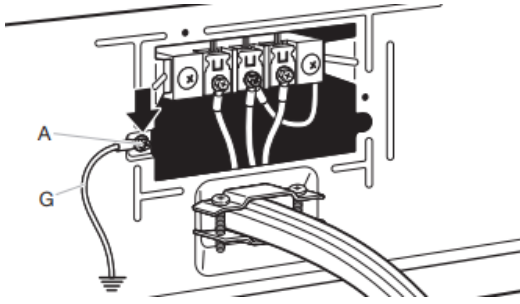
Connecter le conducteur neutre (E) et le conducteur neutre (blanc ou central) (C) du câble d'alimentation ou du câble sous la vis de la borne centrale (B). Serrer la vis.

#### 3. Connecter les conducteurs restants



Placer les conducteurs restants sous les vis les plus à l'extérieur du bornier. Serrer les vis.

#### 4. Connecter le conducteur de liaison à la terre externe



Raccorder un autre conducteur de terre en cuivre (G) depuis la vis du conducteur de terre externe vert (A) jusqu'à une terre adéquate. Placer la languette du couvercle du bornier dans la fente du panneau arrière de la sècheuse. Fixer le couvercle avec la vis de retenue. Ensuite, aller à la section « Exigences concernant l'évacuation ».

### Exigences concernant l'évacuation pour une maison

#### **AVERTISSEMENT**

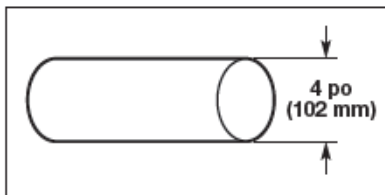


#### Risque d'incendie

- Utiliser un conduit d'évacuation en métal lourd.
- Ne pas utiliser de conduit d'évacuation en plastique.
- Ne pas utiliser de conduit d'évacuation en aluminium.
- Le non-respect de ces instructions peut causer un décès ou un incendie.

**AVERTISSEMENT :** Pour réduire le risque d'incendie, cette sècheuse doit ÉVACUER L'AIR À L'EXTÉRIEUR.

**IMPORTANT :** Observer les dispositions de tous les codes et règlements en vigueur. Le conduit d'évacuation de la sècheuse ne doit pas être raccordé à une évacuation de gaz, une cheminée, un mur, un plafond, un grenier, un vide sanitaire ou un vide de construction. Seul un conduit d'évacuation métallique rigide ou flexible doit être utilisé pour le système d'évacuation.



- Utiliser uniquement un conduit d'évacuation en métal lourd de 4 po (102 mm) et des brides de fixation.
- Ne pas utiliser de conduit de plastique ou de métal très mince.

#### Conduit métallique rigide :

- Recommandé pour une performance de séchage idéale afin d'éviter tout écrasement ou toute déformation.

#### Conduit métallique flexible (acceptable seulement dans la mesure où il est accessible en vue du nettoyage) :

- Doit être entièrement déployé et soutenu à l'emplacement d'installation final de la sècheuse.
- Enlever tout excès de conduit flexible pour éviter tout affaissement et toute déformation susceptible de réduire la capacité d'évacuation et le rendement.
- Ne pas installer le conduit métallique flexible dans des cavités fermées de murs, plafonds ou planchers.
- La longueur totale ne doit pas dépasser 7 3/4 pi (2,4 m).
- La longueur du conduit métallique d'évacuation flexible utilisé doit être prise en compte lors de la conception de l'ensemble du circuit d'évacuation, comme indiqué dans le « Tableau des systèmes d'évacuation ».

#### Système de ventilation résidentiel :

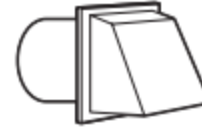
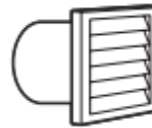
- Lors de l'utilisation d'un système d'évacuation existant, nettoyer et éliminer la charpie sur toute la longueur du système avant d'installer la sècheuse.
- S'assurer que l'évent pour conduit d'évacuation à l'extérieur de la maison n'est pas obstrué par de la charpie ou d'autres débris.
- Remplacer tout conduit de plastique ou en aluminium par un conduit métallique rigide ou flexible. Consulter à nouveau le tableau des systèmes d'évacuations et modifier le système d'évacuation résidentiel existant au besoin pour obtenir un meilleur séchage.

#### Événements pour conduit d'évacuation :

- Terminer le conduit d'évacuation par un clapet de décharge pour empêcher les rongeurs et les insectes d'entrer dans la maison.
- Doit se trouver à au moins 12 po (305 mm) du plancher ou de tout objet susceptible d'obstruer l'ouverture d'évacuation (comme des fleurs, des pierres, des buissons ou de la neige).
- Ne pas utiliser un clapet d'évacuation à fermeture magnétique.

#### Styles recommandés :

#### Style acceptable :



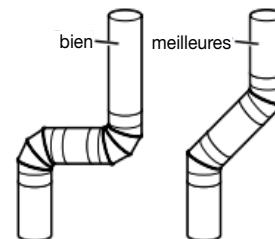
Clapet à persiennes

Clapet de type boîte

Hotte d'évacuation inclinée

#### Coudes :

- Les coudes à 45° permettent une meilleure circulation de l'air que les coudes à 90°.



## Brides de fixation :

- Utiliser des brides pour sceller tous les joints.
- Le conduit d'évacuation ne doit pas être raccordé ou fixé avec des vis ou tout autre dispositif de serrage qui se prolongerait à l'intérieur du conduit et retiendrait la charpie. Ne pas utiliser de ruban adhésif pour conduit.

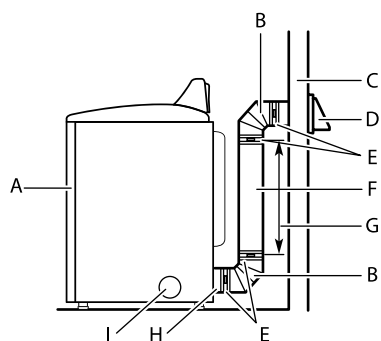


Le matériel d'évacuation peut être acheté auprès de votre revendeur. Pour obtenir les coordonnées et les informations de commande, consulter le guide de démarrage rapide.

## Planification des circuits de conduits

### Installations d'évacuation recommandées :

Les installations typiques consistent à acheminer le conduit d'évacuation à l'arrière de la sècheuse. D'autres installations sont possibles.



- |                                     |                                                                                |
|-------------------------------------|--------------------------------------------------------------------------------|
| A. Sècheuse                         | F. Conduit d'évacuation métallique rigide ou flexible                          |
| B. Coude                            | G. Longueur de conduit d'évacuation nécessaire pour le raccordement des coudes |
| C. Mur                              | H. Bouche de décharge                                                          |
| D. Évents pour conduit d'évacuation | I. Bouche d'évacuation latérale facultative                                    |
| E. Brides de fixation               |                                                                                |

## Installations d'évacuation facultatives :

### ⚠ AVERTISSEMENT



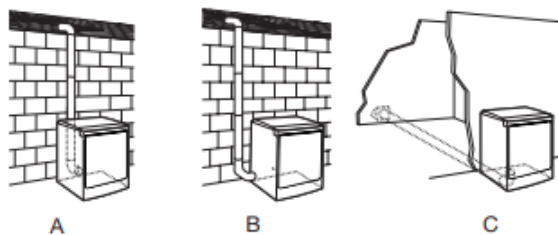
#### Risque d'incendie

**Couvrir les trous d'évacuation inutilisés en utilisant la trousse d'obturation du fabricant.**

**Contactez votre marchand local.**

**Le non-respect de ces instructions peut causer un décès, un incendie, une décharge électrique ou une blessure grave.**

Certains modèles peuvent être convertis pour évacuer par le côté droit, le côté gauche ou par le bas. Si vous préférez, vous pouvez contacter votre détaillant local pour convertir la sècheuse.

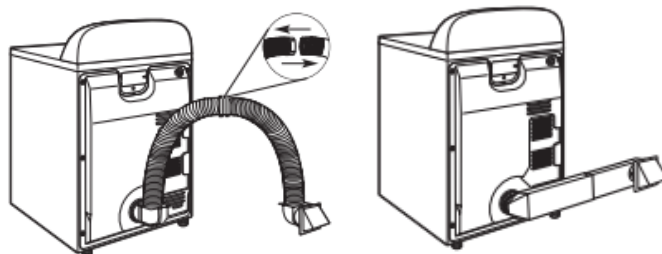


- Installation avec acheminement standard du conduit d'évacuation par l'arrière
- Installation avec évacuation par la gauche ou par la droite (offert seulement sur certains modèles de 27 po de largeur).
- Installation avec évacuation par le bas (offert seulement sur certains modèles de 27 po de largeur).

### Autres installations avec dégagement réduit

Il existe de nombreux systèmes d'évacuation. Choisir le système qui convient le mieux à votre installation. Deux installations à dégagement réduit sont illustrées.

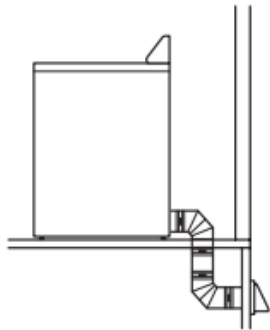
**REMARQUE :** On peut acheter les trusses suivantes pour les installations où le dégagement est réduit. Consulter le guide de démarrage rapide pour les coordonnées.



Installation au-dessus de la sècheuse Installation en périscope (également offerte avec un coude décalé)

## Dispositions spéciales pour les installations dans une maison mobile :

Le système d'évacuation doit être solidement fixé à une section non combustible de la structure de la résidence mobile et ne doit pas se terminer en dessous de la résidence mobile. Acheminer le conduit d'évacuation vers l'extérieur.



### Déterminer l'itinéraire d'acheminement du conduit :

- Choisir l'itinéraire d'acheminement vers l'extérieur qui sera le plus direct et le plus rectiligne.
- Planifier l'installation de façon à introduire un nombre minimal de coudes et de changements de direction.
- Si des coudes ou changements de direction sont utilisés, prévoir autant d'espace que possible.
- Plier le conduit graduellement pour éviter de le déformer.
- Utiliser le moins possible de changements de direction à 90°.

### Déterminer la longueur du conduit et les coudes nécessaires pour la meilleure performance de séchage :

- Utiliser le tableau des systèmes d'évacuation suivant pour déterminer le type de matériel d'évacuation et les combinaisons de hotte acceptables.

**REMARQUE :** Ne pas utiliser de conduits de longueur supérieure à la valeur spécifiée dans le « tableau des systèmes d'évacuation ». Si la longueur du circuit est supérieure à la valeur spécifiée dans le tableau, on observera :

- Un cycle de vie réduit de la sècheuse.
- Une réduction du rendement, avec temps de séchage plus longs et une plus grande consommation d'énergie.

Le « tableau des systèmes d'évacuation » indique les critères d'évacuation qui vous aideront à obtenir une performance de séchage idéale.

Tableau des systèmes d'évacuation		
Nombre de changements de direction à 90° ou coudes	Type de conduit d'évacuation	Clapets de type boîte, à persiennes ou inclinés
0	Métallique rigide	64 pi (20 m)
1	Métallique rigide	54 pi (16,5 m)
2	Métallique rigide	44 pi (13,4 m)
3	Métallique rigide	35 pi (10,7 m)
4	Métallique rigide	27 pi (8,2 m)

**REMARQUE :** Les installations d'évacuation du conduit par le côté ou par le bas comportent un changement de direction à 90° à l'intérieur de la sècheuse. Pour établir la longueur maximale du conduit d'évacuation, ajouter un changement de direction à 90° au tableau.

## Tableau des systèmes d'évacuation (modèles avec conduit long)

Nombre de changements de direction à 90° ou coudes	Type de conduit d'évacuation	Clapets de type boîte, à persiennes ou inclinés
0	Métallique rigide	160 pi (48,8 m)
1	Métallique rigide	150 pi (45,7 m)
2	Métallique rigide	140 pi (42,7 m)
3	Métallique rigide	130 pi (39,6 m)
4	Métallique rigide	120 pi (36,6 m)
5	Métallique rigide	110 pi (33,5 m)

Pour déterminer si le modèle comporte un système d'évacuation de grande longueur, se reporter au type de code figurant sur la plaque signalétique située dans le renforcement de la porte. Exemple : Exemple de modèles à conduit long : BJAV-NAT-XXXXXXXX-XXX ou BWFB-NAT-XXXXXXXX-XXX.

**REMARQUE :** Pour des systèmes d'évacuation de grande longueur, utiliser des clapets d'évacuation à persiennes ou de type boîte – l'évacuation sera meilleure, quelle que soit la longueur du circuit.

### Coudes supplémentaires

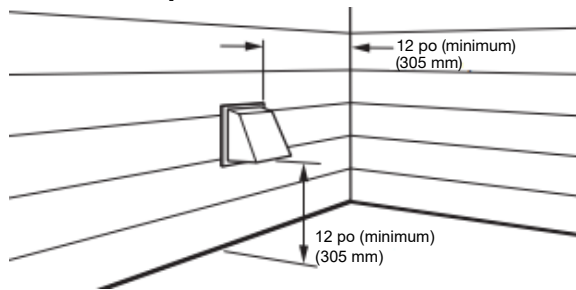
Dans les situations où les instructions d'installation n'indiquent pas de longueur d'évacuation pour un nombre précis de coudes requis pour une utilisation particulière, les calculs suivants peuvent être utilisés. (La longueur totale du système d'évacuation comprend toutes les portions droites et en coude du système d'évacuation) :

- Pour des coudes à 90°, réduire la longueur permise du système d'évacuation de 10 pi (3,05 m).
- Pour des coudes à 45°, réduire la longueur permise du système d'évacuation de 6 pi (1,83 m).

Par exemple, si les instructions d'installation indiquent que la longueur totale du système d'évacuation de la sècheuse peut être de 40 pi (12,2 m) avec deux coudes de 90°, la longueur totale permise du système de ventilation sera réduite de 20 pi (6,0 m) (de 40 pi [12,2 m] à 20 pi [6,0 m]).

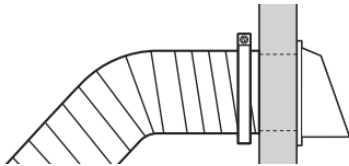
# Installation du conduit d'évacuation

## 1. Installer le clapet d'évacuation



Installer le clapet d'évacuation et utiliser un composé de calfeutrage pour calfeutrer le côté extérieur de l'ouverture murale autour du clapet d'évacuation.

## 2. Raccorder le conduit d'évacuation au clapet



Le conduit doit être placé par-dessus le clapet d'évacuation. Fixer ensemble le conduit et le clapet avec une bride de 4 po (102 mm). Acheminer le conduit jusqu'à l'emplacement de la sècheuse en utilisant le chemin le plus rectiligne possible. Éviter les changements de direction à 90°. Utiliser des brides pour sceller tous les joints. Ne pas utiliser de ruban adhésif pour conduit, de vis ou autres dispositifs de fixation qui se prolongeraient à l'intérieur du conduit pour fixer le conduit d'évacuation; ceux-ci pourraient retenir la charpie.

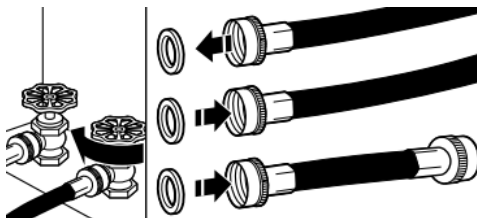
## Raccordement des tuyaux d'alimentation

Pour les modèles sans vapeur avec conduit d'évacuation, passer directement à la section « Raccordement du conduit d'évacuation ». La sècheuse doit être connectée au robinet d'eau froide à l'aide des nouveaux tuyaux d'alimentation. Ne pas utiliser de tuyaux usagés.

**REMARQUE :** Remplacer les tuyaux d'arrivée d'eau après 5 ans d'utilisation pour réduire le risque de défaillance intempestive. Inscrive la date d'installation ou de remplacement du tuyau sur celui-ci, pour référence ultérieure.

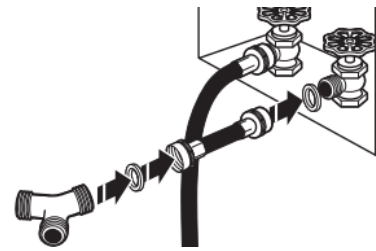
Inspecter périodiquement les tuyaux et les remplacer en cas de renflement, de déformation, de coupure, d'usure ou de fuite.

## 1. Fermer l'eau froide, retirer et remplacer la rondelle en caoutchouc



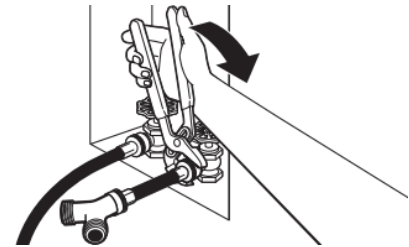
Fermer le robinet d'eau froide et ôter le tuyau d'alimentation de la laveuse. Retirer l'ancienne rondelle en caoutchouc du tuyau d'arrivée d'eau et la remplacer par la nouvelle rondelle en caoutchouc.

## 2. Fixer le tuyau court et le raccord en « Y »



Fixer le tuyau d'alimentation de 2 pi (0,6 m) au robinet d'eau froide. Visser le raccord à la main pour qu'il repose sur le robinet. Fixer le raccord en « Y » à l'extrémité mâle du tuyau d'alimentation de 2 pi (0,6 m). Visser le raccord à la main jusqu'à ce qu'il repose sur le raccord.

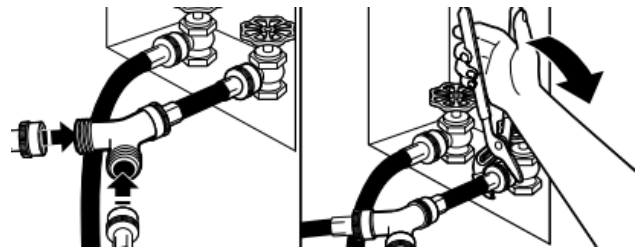
## 3. Serrer les raccords



Terminer le serrage des raccords de deux tiers de tour supplémentaire avec une pince.

**REMARQUE :** Ne pas serrer excessivement. Le raccord risque d'être endommagé.

## 4. Fixer le long tuyau au raccord en « Y » et serrer les raccords

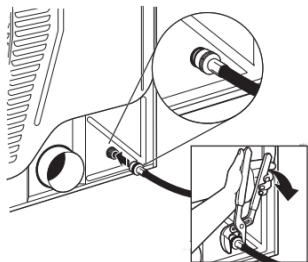


Fixer l'une des extrémités du tuyau d'alimentation de 5 pi (1,5 m) au connecteur en « Y ». Fixer le tuyau d'alimentation en eau froide de la laveuse à l'autre extrémité du raccord en « Y ». Visser le raccord à la main jusqu'à ce qu'il repose sur le raccord. Terminer le serrage des raccords de deux tiers de tour supplémentaire avec une pince.

**REMARQUE :** Ne pas serrer excessivement. Le raccord risque d'être endommagé.



## 5. Fixer le long tuyau à l'électrovanne de remplissage de la sécheuse et serrer les raccords

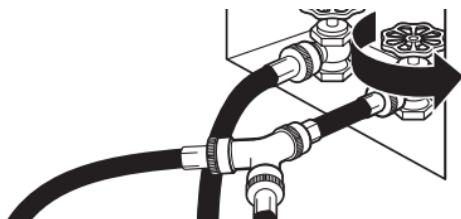


Au besoin, ôter le capuchon protecteur de l'orifice d'arrivée d'eau. Fixer l'autre extrémité du long tuyau à l'électrovanne au panneau arrière de la sécheuse. Visser le raccord à la main jusqu'à ce qu'il repose sur le connecteur de l'électrovanne. Terminer le serrage des raccords de deux tiers de tour supplémentaire avec une pince.

**REMARQUE** : Ne pas serrer excessivement. Le raccord risque d'être endommagé.

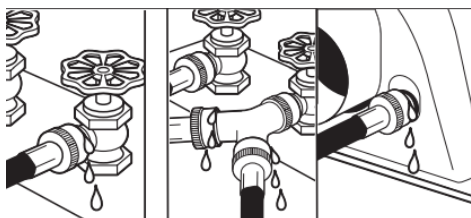
**REMARQUE** : Le raccordement de l'eau d'une sécheuse avec vapeur peut se situer à un endroit différent.

## 6. Ouvrir le robinet d'eau froide



Vérifier que le robinet d'eau est ouvert.

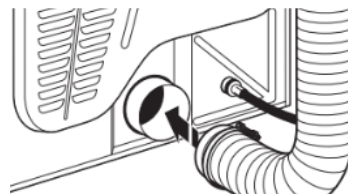
## 7. Recherche de fuites



Vérifier qu'il n'y a pas de fuites autour du raccord en « Y », des robinets et des tuyaux.

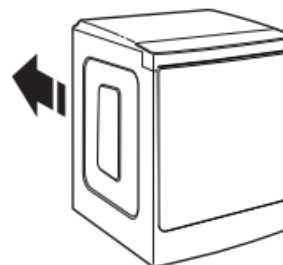
## Raccordement du conduit d'évacuation (sur les modèles avec conduit seulement)

### 1. Raccorder le conduit d'évacuation à la bouche d'évacuation



À l'aide d'une bride de fixation de 4 po (102 mm), relier le conduit d'évacuation à la bouche d'évacuation de la sécheuse. Si l'on réalise le raccordement au conduit d'évacuation existant, s'assurer que celui-ci est propre. Le conduit d'évacuation doit être fixé par-dessus la bouche d'évacuation de la sécheuse et à l'intérieur du clapet d'évacuation. S'assurer que le conduit d'évacuation est fixé au clapet d'évacuation à l'aide d'une bride de fixation de 4 po (102 mm).

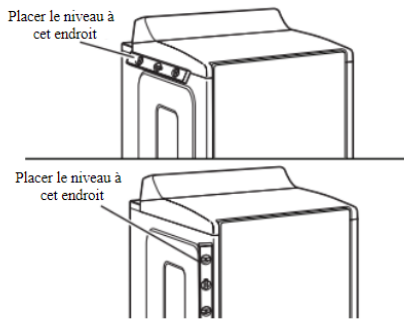
### 2. Placer la sécheuse à son emplacement final



Placer la sécheuse à son emplacement final. Éviter d'écraser ou de déformer le conduit d'évacuation. Une fois la sécheuse en place, retirer les cornières et le carton sous la sécheuse.

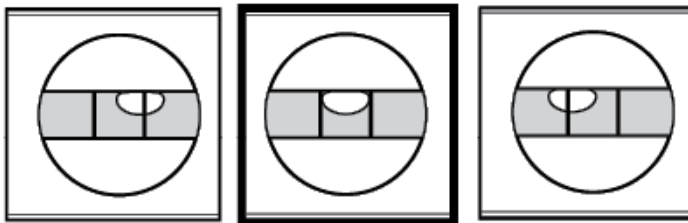
# Réglage de l'aplomb de la sécheuse

## 1. Réglage de l'aplomb de la sécheuse



Vérifier l'aplomb de la sécheuse dans le sens transversal.  
Répéter l'opération dans le sens avant-arrière.

**REMARQUE:** La sécheuse doit être d'aplomb pour que le système de détection d'humidité fonctionne correctement.

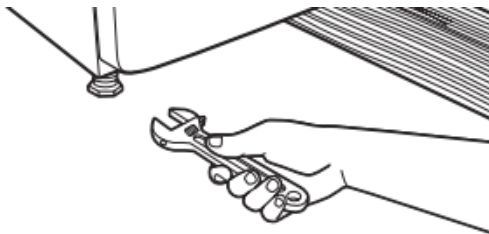


Pas d'aplomb

**D'APLOMB**

pas d'aplomb

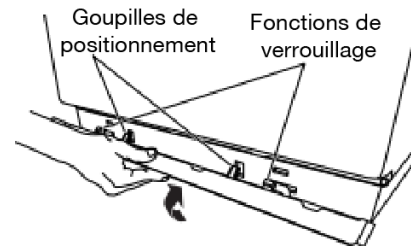
## 2. Ajustement des pieds de nivellement



Si la sécheuse n'est pas d'aplomb, la relever à l'aide d'un bloc de bois. Utiliser une clé pour ajuster les pieds vers le haut ou vers le bas, et vérifier à nouveau si elle est d'aplomb.

Une fois la sécheuse d'aplomb, s'assurer que les quatre pieds sont en contact ferme avec le plancher et que la sécheuse ne tangue pas.

## 3. Installation et retrait de la tringle de base (sur certains modèles)



Installation : Placer la jupe au bas de la sécheuse et faire correspondre les goupilles de positionnement avec les trous. Appuyer sur la jupe fermement vers le haut jusqu'à ce qu'elle s'enclenche.

Retrait : Dans chaque coin, pousser vers le bas le dessus de la tringle de base. La faire pivoter de la sécheuse, puis la retirer.

## Liste de vérification pour installation terminée

- Vérifier que toutes les pièces sont maintenant installées. S'il reste une pièce, passer en revue les différentes étapes pour découvrir laquelle aurait été oubliée.
- Vérifier la présence de tous les outils.
- Éliminer/recycler tous les matériaux d'emballage.
- Vérifier que les robinets d'eau sont ouverts.
- Vérifier qu'il n'y a pas de fuites autour du raccord en « Y », du robinet et des tuyaux.
- Vérifier l'emplacement définitif de la sècheuse. S'assurer que le conduit d'évacuation n'est pas écrasé ou déformé.
- Vérifier que la sècheuse est d'aplomb. Voir la section « Réglage de l'aplomb de la sècheuse ».
- Ôter la pellicule protectrice de la console et tout ruban adhésif resté sur la sècheuse.
- Essuyer soigneusement l'intérieur du tambour de la sècheuse avec un chiffon humide pour éliminer toute trace de poussière.
- Pour une installation avec cordon d'alimentation électrique, brancher dans une prise reliée à la terre. Pour une installation à raccordement direct, mettre l'appareil sous tension.
- Si l'on réside dans une région où l'eau est dure, l'emploi d'un adoucisseur d'eau est recommandé pour contrôler l'accumulation de tartre dans le circuit d'eau de la sècheuse. Avec le temps, l'accumulation de tartre peut obstruer différentes parties du circuit d'eau, ce qui réduira la performance du produit. Une accumulation excessive de tartre peut entraîner la nécessité de remplacer ou de réparer certains composants.
- Pour inverser le sens d'ouverture de la porte de la sècheuse, consulter la section « Instructions pour inversion de porte de sècheuse » en ligne.
- Utiliser un programme avec chaleur de 20 minutes, puis mettre en marche la sècheuse. Ne pas sélectionner le réglage de température Air Only (air seulement).

### Si la sècheuse ne démarre pas, vérifier ce qui suit :

- Les commandes sont réglées à la position de marche ou « ON » (marche).
- On a appuyé fermement sur le bouton Start (mise en marche).
- La sècheuse est branchée dans une prise ou l'alimentation électrique.
- Le fusible domestique est intact et bien visé ou le disjoncteur n'est pas ouvert.
- La porte de la sècheuse est fermée.
- Après 5 minutes de fonctionnement, ouvrir la porte de la sècheuse et voir s'il y a de la chaleur. Si de la chaleur est détectée, annuler le programme et fermer la porte.

### Si la sècheuse n'est pas chaude à l'intérieur, éteindre la sècheuse et vérifier ce qui suit :

- Il peut y avoir 2 fusibles ou disjoncteurs domestiques pour la sècheuse. Vérifier que les deux fusibles sont intacts et bien en place ou que les deux disjoncteurs ne se sont pas déclenchés. S'il n'y a toujours pas de chaleur, contacter un technicien qualifié.

**REMARQUE :** Il est possible que la sècheuse dégage une certaine odeur lorsqu'elle chauffe pour la première fois. Cette odeur est normale lorsque l'élément chauffant est utilisé pour la première fois. L'odeur disparaîtra.

Si l'écran de circulation d'air affiche « Check Vent » (vérifier le conduit d'évacuation), il est possible que le conduit d'évacuation de la sècheuse soit écrasé ou bloqué.

---

## REMARQUES

---

## REMARQUES

---

## REMARQUES

---

## REMARQUES

---

## REMARQUES